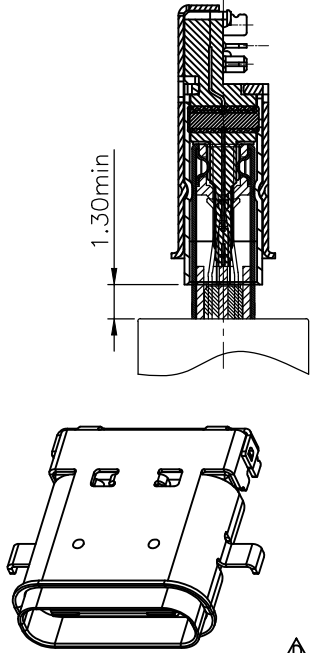
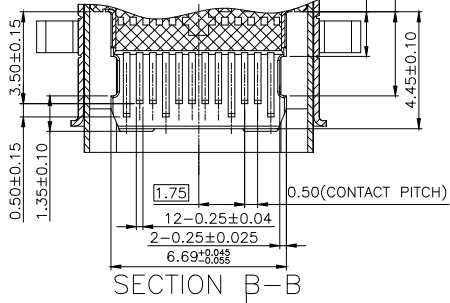
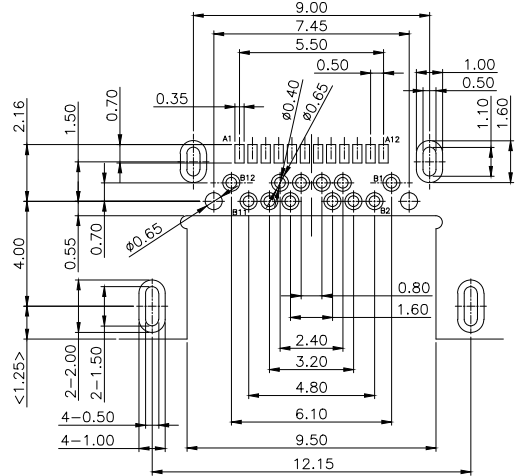
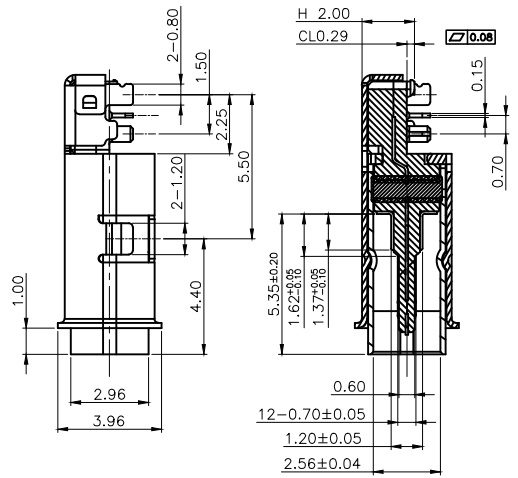
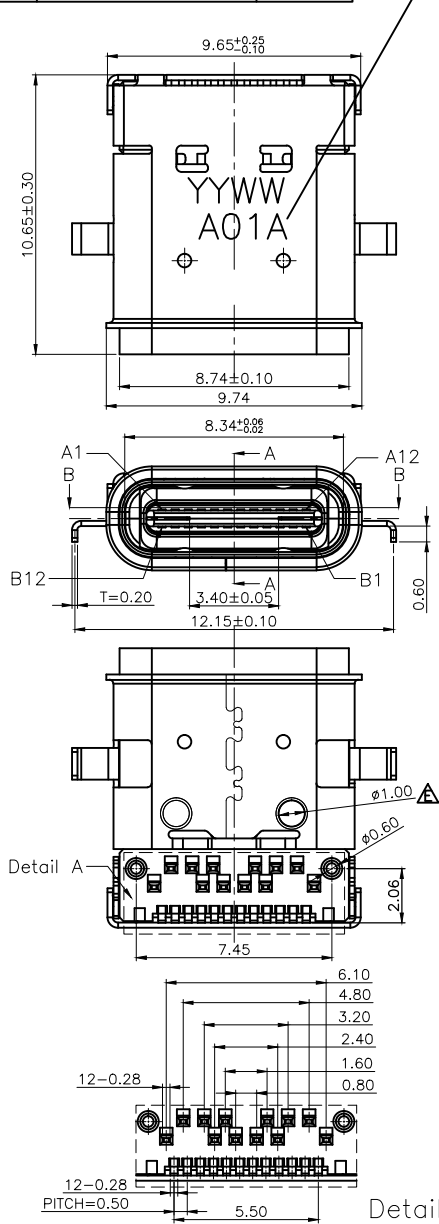




RoHS Compliant HSF
2013/95/EC

YYWW — 年周
A01A — 固定



Pin	Signal Name	Sequence	Pin	Signal Name	Mating Sequence
A1	GND	First	B12	GND	First
A2	SSTXp1	Second	B11	SSRXp1	Second
A3	SSTXn1	Second	B10	SSRXn1	Second
A4	V _{BUS}	First	B9	V _{BUS}	First
A5	CC1	Second	B8	SBU2	Second
A6	Dp1	Second	B7	Dn2	Second
A7	Dn1	Second	B6	Dp2	Second
A8	SBU1	Second	B5	CC2	Second
A9	V _{BUS}	First	B4	V _{BUS}	First
A10	SSRXn2	Second	B3	SSTXn2	Second
A11	SSRXp2	Second	B2	SSTXp2	Second
A12	GND	First	B1	GND	First
SHELL	GND		SHELL	GND	

- NOTE:
- MATERIAL:
 - INSULATOR: HIGH TEMPERATURE PLASTIC UL 94 V-0;
 - CONTACT: COPPER ALLOY(T=0.15mm)
 - SHELL: STAINLESS STEEL(T=0.20mm)
 - ELECTRICAL CHARACTERISTICS:
 - CONTACT RESISTANCE: 40mΩ Max FOR INITIAL, 10mΩ CHANGE AFTER TEST. MEASURE AT 20mV, 100mA.
 - CONTACT CURRENT RATING: 5A FOR VBUS PIN; 1.25A FOR VCONN PIN.
 - DIELECTRIC WITHSTANDING VOLTAGE: 100V AC R.M.S.
 - INSULATION RESISTANCE 100MΩ Min
 - OPERATING TEMPERATURE: -40°C ~ 85°C
 - MECHANICAL CHARACTERISTICS:
 - MATING FORCE: 5~20 N.
 - UNMATING FORCE: 8~20N AFTER TEST
 - DURABILITY: 10,000 CYCLES
 - PLATING:
 - TERMINAL CONTACT: (SEE TAB) GOLD PLATING ALL OVER 50u" Min NICKEL AND 80u"Min Tin ALL OVER 50u" Min NICKEL ON SOLDER AREA
 - OUT SHELL: 50u" Min. NICKEL ALL OVER
 - INNER SHELL: DEGREASE
5. P/N: 2UB1186-32XXX-23A

- 1: Tray 2: Tape reel
1: G/F 2: 5u" 3: 10u"
4: 15u" 5: 30u"

2UB1186-32X87-23A	D/C	IP67	C18400-R540
2UB1186-32X39-23A	D/C	IP67	
2UB1186-32X48-23A	D/C	IP54	C2680-EH
2UB1186-32X49-23A	D/C	IP67	
料号 Part Number	喷码要求 Date Code	防水等级 IP Rating	端子材质 Terminal Material

REV.	DESCRIPTION	ECN NO.	DWN.	CHK.	APVD.	DATE
F	Cancel spot welding of shell	201901030003	GAORUI	Chain	DC	2019.01.03
E	ADD Enlarged rubber hole	20180911002	GAORUI	Chain	DC	2018.09.11
D	ADD I-PEX LOGO P/N	20180324002	GAORUI	Chain	DC	2018.03.24
C	增加焊点尺寸	20171215001	XWY	Chain	DC	2017.12.13
B	新增一款规格及更改CASE图	20170828003	GAORUI	Chain	DC	2017.08.26

TOLERANCES UNLESS OTHERWISE SPECIFIED

UNIT	(MM)
X.	±0.50
X.X	±0.30
X.XX	±0.20
X.XXX	±0.10
ANGEL	±2°

Singatron Enterprise Co., Ltd.

USB 3.1 CF WATERPROOF
CLO.29 H2.00mm DIP TYPE

DWN Rain **PART NO.** 2UB1186-32XXX-23A

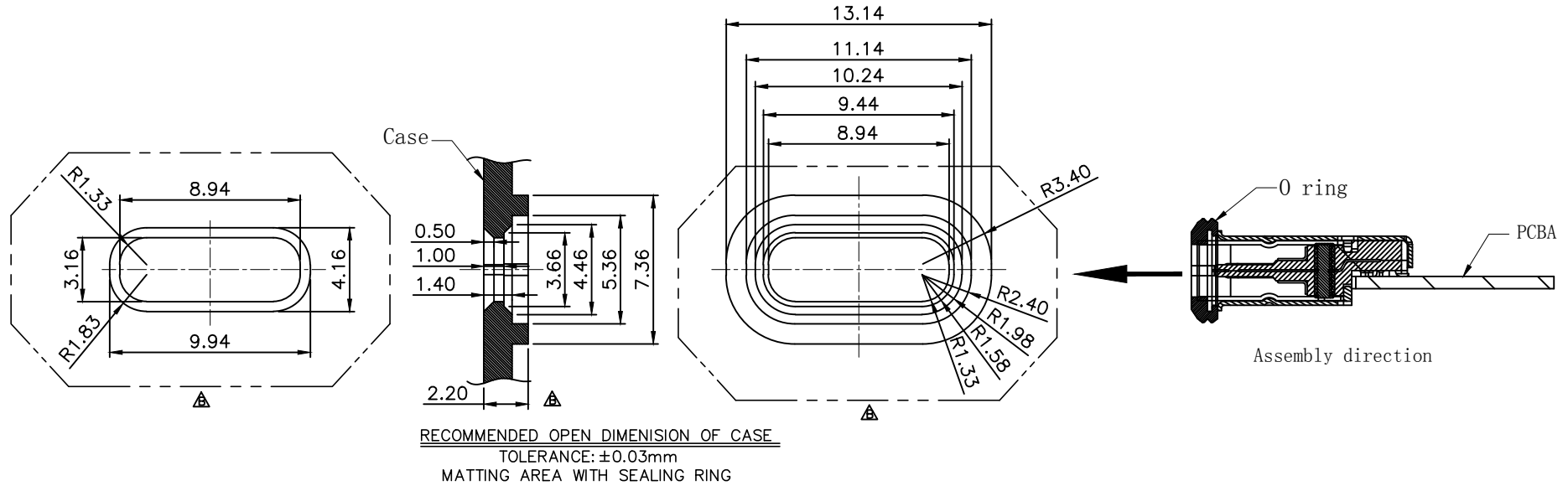
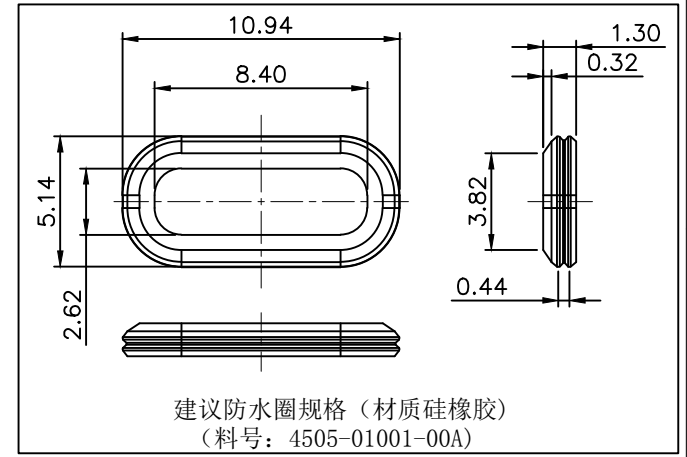
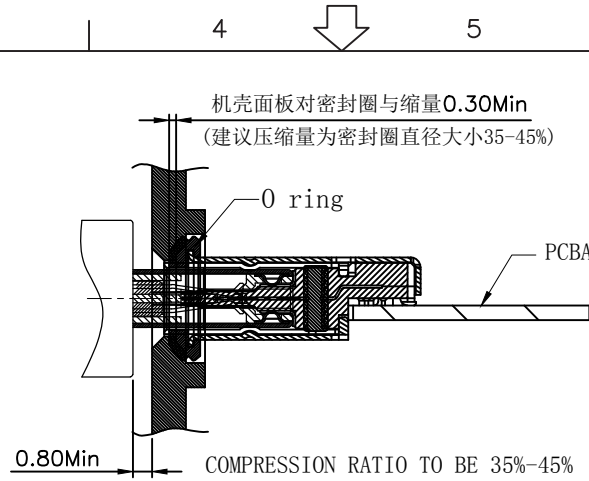
CHKD 2016.04.05 **SCALE 1:1** **UNIT: mm**

APVD **SIZE: A3** **SHEET: 1/3** **REV: F**

CUSTOMER COPY



RoHS Compliant HSF
2013/95/EC



F	Cancel spot welding of shell	201901030003	GAORUI	Chain	DC	2019.01.03
E	ADD Enlarged rubber hole	20180911002	GAORUI	Chain	DC	2018.09.11
D	ADD I-PEX LOGO P/N	20180324002	GAORUI	Chain	DC	2018.03.24
C	增加焊点尺寸	20171215001	XWY	Chain	DC	2017.12.13
B	新增一款规格及更改CASE图	20170828003	GAORUI	Chain	DC	2017.08.26
REV.	DESCRIPTION	ECN NO.	DWN.	CHK.	APVD.	DATE

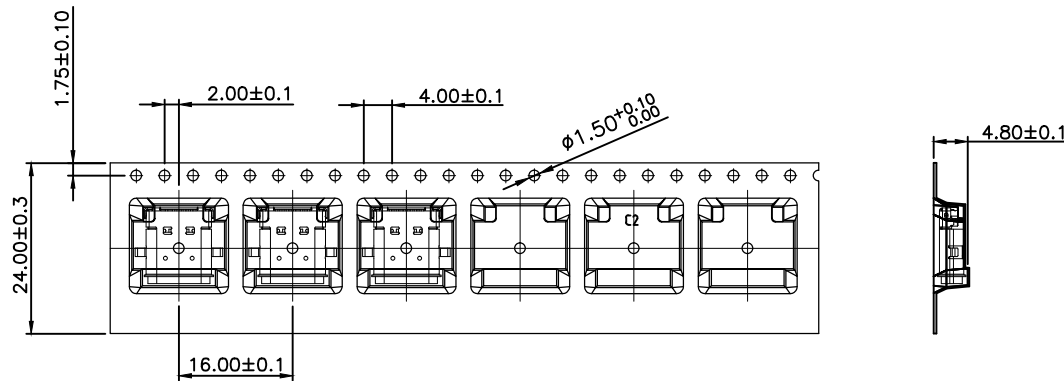
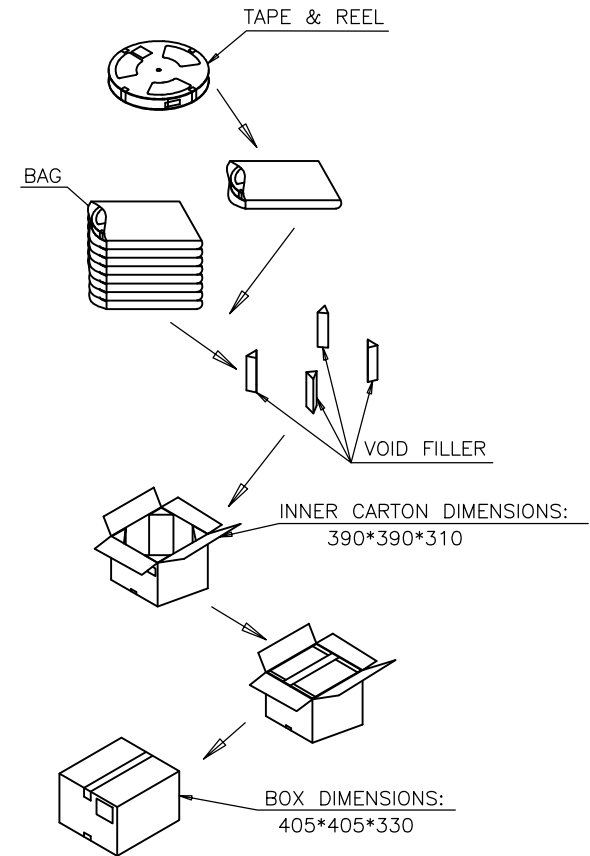
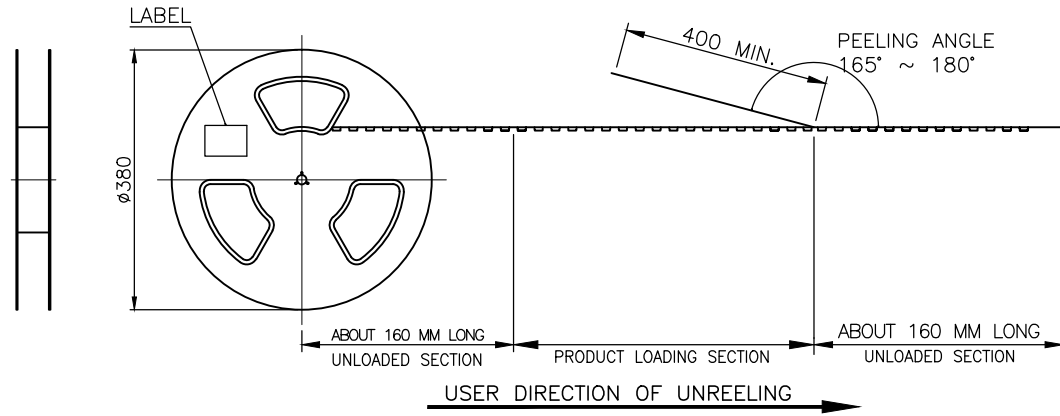
TOLERANCES UNLESS OTHERWISE SPECIFIED	
UNIT	(MM)
X.	± 0.50
X.X	± 0.30
X.XX	± 0.20
X.XXX	± 0.10
ANGEL	$\pm 2^\circ$

Singatron Enterprise Co., Ltd.

TITLE	USB 3.1 CF WATERPROOF CLO.29 H2.00mm DIP TYPE		
DWN	Rain	PART NO. 2UB1186-32XXX-23A	
CHKD	2016.04.05	SCALE 1:1	UNIT: mm
APVD		SIZE: A3	SHEET: 2/3
REV: F			
CUSTOMER COPY			



RoHS Compliant HSF
2013/95/EC



NOTE:

- MATERIAL:
BOX: FIBREBOARD, CORRUGATED, DOUBLE WALL.
TAPE: POLYSTYRENES, HEAT-RESISTANT TEMPERATURE: 120°C, BLACK COLOR.
REEL: POLYSTYRENES, HEAT-RESISTANT TEMPERATURE: 70°C, BLUE COLOR.
BAG: POLYETHYLENE, HEAT-RESISTANT TEMPERATURE: 100°C.

2. PEELING STRENGTH: 0.1 ~ 1.3 N (10 ~ 130 GRAMS)

3. PEELING SPEED: 300 mm/min.

4. EACH BAG SHALL BE INCLUDED DESICCANT.

1000	10	10000 PCS	-- KG	-- KG
PCS/ REEL	REELS/ CARTON	QUANTITY	GROSS WEIGHT	NET WEIGHT

REV.	DESCRIPTION	ECN NO.	DWN.	CHK.	APVD.	DATE
F	Cancel spot welding of shell	201901030003	GAORUI	Chain	DC	2019.01.03
E	ADD Enlarged rubber hole	20180911002	GAORUI	Chain	DC	2018.09.11
D	ADD I-PEX LOGO P/N	20180324002	GAORUI	Chain	DC	2018.03.24
C	增加焊点尺寸	20171215001	XWY	Chain	DC	2017.12.13
B	新增一款规格及更改CASE图	20170828003	GAORUI	Chain	DC	2017.08.26

TOLERANCES UNLESS OTHERWISE SPECIFIED		Singatron Enterprise Co., Ltd.			
UNIT	(MM)	USB 3.1 CF WATERPROOF CLO.29 H2.00mm DIP TYPE			
X.	±0.50	TITLE	Rain		
X.X	±0.30	DWN	Rain	PART NO. 2UB1186-32XXX-23A	
X.XX	±0.20	CHKD	2016.04.05	SCALE 1:1	UNIT: mm
X.XXX	±0.10	APVD		SIZE: A3	SHEET: 3/3
ANGEL	±2'			REV: F	
CUSTOMER COPY					