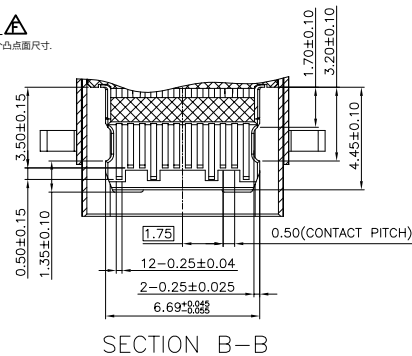
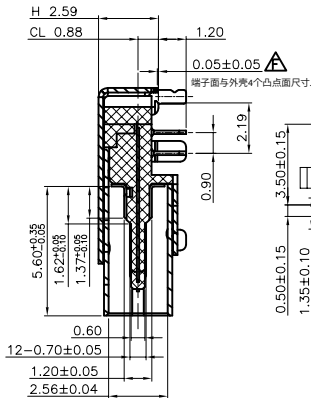
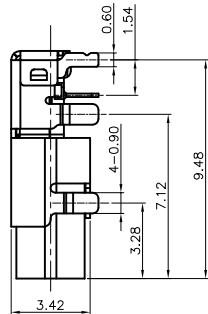
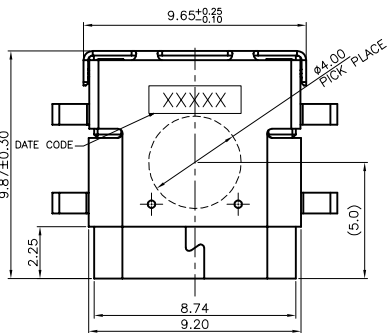




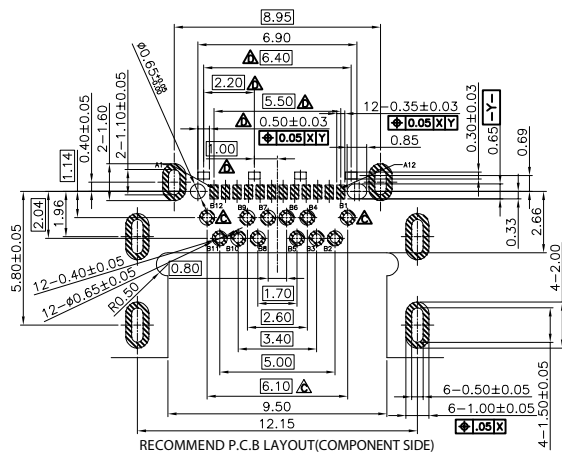
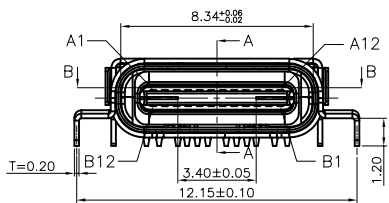
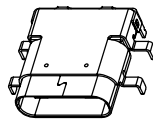
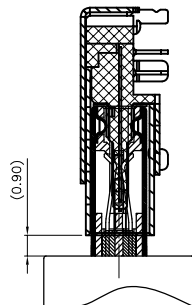
RoHS
Compliant
2013/95/EC

HSF



SECTION B-B

SECTION A-A



RECOMMEND P.C.B LAYOUT (COMPONENT SIDE)
TOLERANCE FOR PCB LAYOUT IS ±0.05
KEEP OUT AREA

NOTE:

- MATERIAL:
 - INSULATOR: LCP+30%GF UL 94 V-0; BLACK COLOR
 - CONTACT: HIGH CONDUCTIVITY COPPER(C18080,T=0.15mm)
 - SHELL: STAINLESS STEEL(T=0.20mm)
 - COVER SHELL: STAINLESS STEEL(T=0.20mm)
 - GROUND PLATE: STAINLESS STEEL(T=0.10mm)
 - MID PLATE: STAINLESS STEEL(SUS301,T=0.10mm)
- ELECTRICAL CHARACTERISTICS:
 - CONTACT RESISTANCE: 40mΩ Max FOR INITIAL, 10mΩ CHANGE AFTER TEST. MEASURE AT 20mV, 100mA.
 - CONTACT CURRENT RATING: 5A FOR COLLECTIVELY POWER SUPPLY PIN(PINA1,A4,A9,A12,B1,B4,B9,B12), 1.25A FOR V_{COMMON} PIN; 0.25A FOR OTHER SIGNAL PIN.
 - DIELECTRIC WITHSTANDING VOLTAGE: 100V AC R.M.S.
 - INSULATION RESISTANCE 100MΩ Min
 - OPERATING TEMPERATURE: -40°C ~ 85°C
- MECHANICAL CHARACTERISTICS:
 - MATING FORCE: 5~20 N.
 - UNMATED FORCE: 6~20N AFTER TEST
 - DURABILITY: 10,000 CYCLES
- PLATING
 - TERMINAL CONTACT: (SEE TAB) GOLD PLATING ON CONTACT AREA, ALL OVER 50u" Min NICKEL AND 80u"Min Matte Tin ALL OVER 50u" Min NICKEL ON SOLDER AREA.
 - SHELL: 50u" Min. NICKEL ALL OVER,
- PART NUMBER:
2UB1186-32X44-X3A

- 1: Tray 2: Tape reel
1: G/F 2: 5u" 3: 10u"
4: 15u" 5: 30u"

TOLERANCES UNLESS OTHERWISE SPECIFIED

UNIT	(MM)
X.	±0.50
X.X	±0.30
X.XX	±0.20
X.XXX	±0.10
ANGEL	±2°

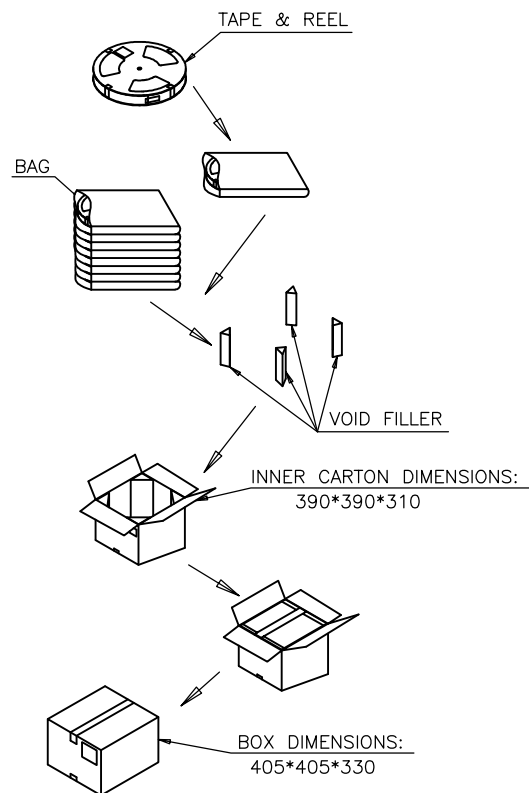
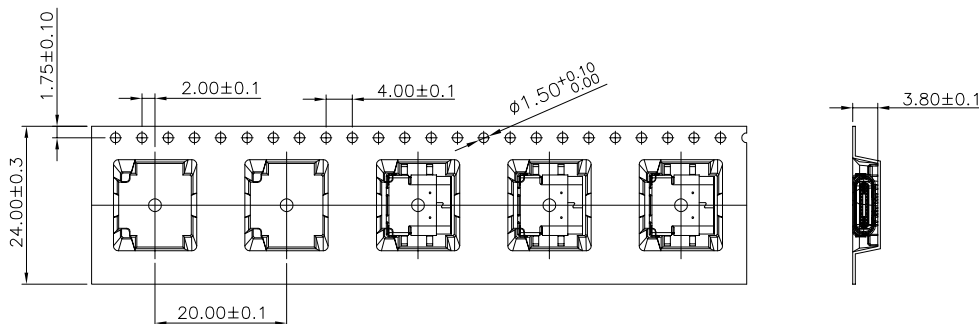
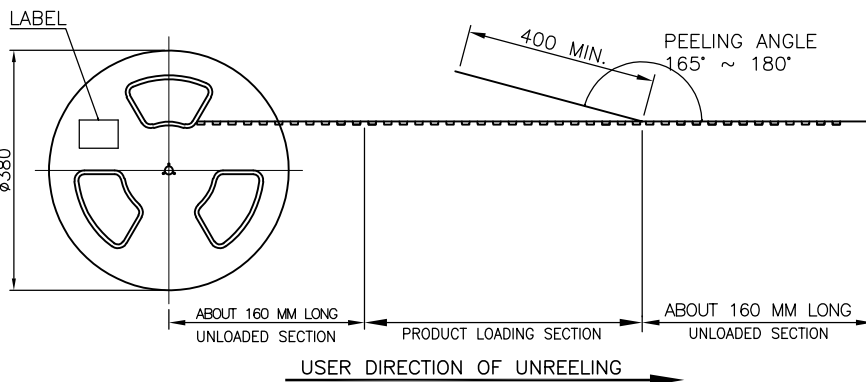
Singatron Enterprise Co., Ltd.

TITLE	USB 3.1 C TYPE Female CL0.88 H2.59 L9.87mm DIP TYPE		
DWN	zw-Lin	PART NO. 2UB1186-32X44-23A	
CHKD	Lijun	SCALE 1:1	UNIT: mm
APVD	Nalson	SIZE: A3	SHEET: 1/2

CUSTOMER COPY

REV	DESCRIPTION	ECN NO	DWN	CHK	APVD	DATE
A	NEW DARWING	ECN NO.	zw-Lin	Lijun	Nalson	2017.09.1

30.4
24.4



NOTE:

- MATERIAL:
BOX: FIBREBOARD, CORRUGATED, DOUBLE WALL.
TAPE: POLYSTYRENES, HEAT-RESISTANT TEMPERATURE: 120°C, BLACK COLOR.
REEL: POLYSTYRENES, HEAT-RESISTANT TEMPERATURE: 70°C, BLUE COLOR.
BAG: POLYETHYLENE, HEAT-RESISTANT TEMPERATURE: 100°C.

2. PEELING STRENGTH: 0.1 ~ 1.3 N (10 ~ 130 GRAMS)

3. PEELING SPEED: 300 mm/min.

4. EACH BAG SHALL BE INCLUDED DESICCANT.

1000	10	10000 PCS	-- KG	-- KG
PCS/ REEL	REELS/ CARTON	QUANTITY	GROSS WEIGHT	NET WEIGHT

								TOLERANCES UNLESS OTHERWISE SPECIFIED
								UNIT (MM)
								X. ±0.20
								X.X ±0.15
								X.XX ±0.10
								X.XXX ±0.05
								ANGEL ±1°
A	NEW DARWING	ECN NO.	zw-Lin	Lijun	Nalson	2017.09.1		
REV	DESCRIPTION	ECN NO	DWN	CHK	APVD	DATE		

Singatron Enterprise Co., Ltd.

TITLE	USB 3.1 C TYPE Female CLO.88 H2.59 L9.87mm DIP TYPE		
DWN	zw-Lin	PART NO. 2UB1186-32X44-23A	
CHKD	Lijun	SCALE 1:1	UNIT: mm
APVD	Nalson	SIZE: A3	SHEET: 2/2
			REV: A

CUSTOMER COPY