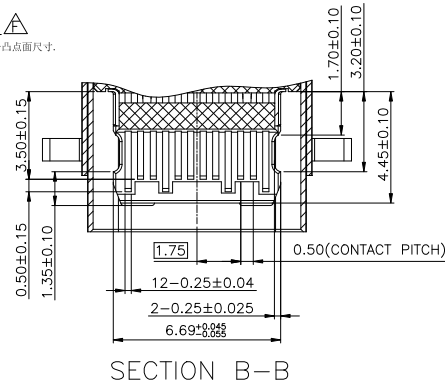
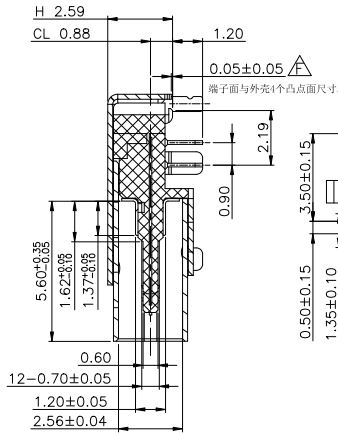
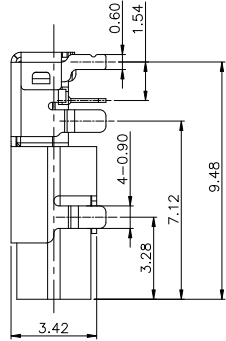
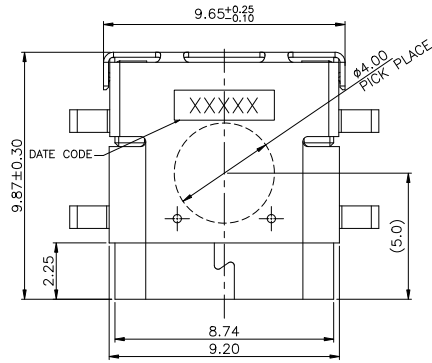
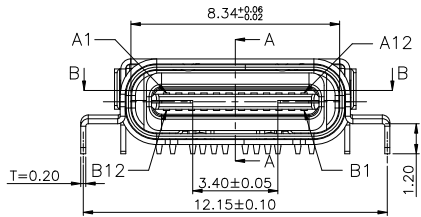




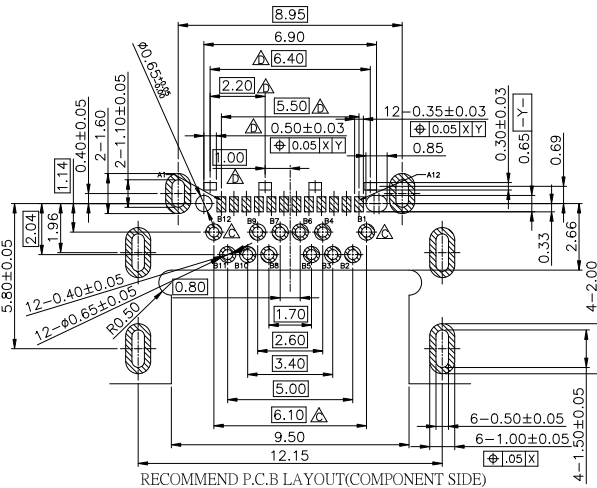
RoHS Compliant HSF
2013/95/EC



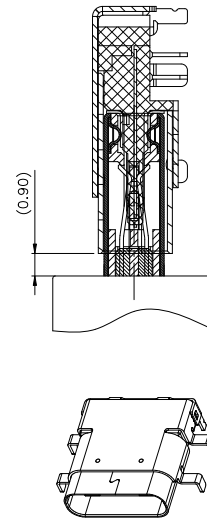
SECTION B-B



SECTION A-A



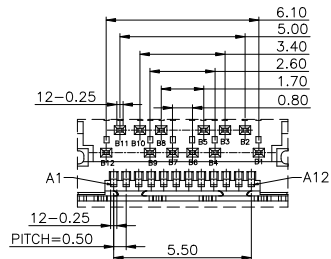
RECOMMEND P.C.B LAYOUT (COMPONENT SIDE)
TOLERANCE FOR PCB LAYOUT IS ±0.05
KEEP OUT AREA



NOTE:

- MATERIAL:
 - INSULATOR: LCP+30%GF UL 94 V-0; BLACK COLOR
 - CONTACT: HIGH CONDUCTIVITY COPPER (C18080, T=0.15mm)
 - SHELL: STAINLESS STEEL (T=0.20mm)
 - COVER SHELL: STAINLESS STEEL (T=0.20mm)
 - GROUND PLATE: STAINLESS STEEL (T=0.10mm)
 - MID PLATE: STAINLESS STEEL (SUS301, T=0.10mm)
- ELECTRICAL CHARACTERISTICS:
 - CONTACT RESISTANCE: 40mΩ Max FOR INITIAL, 10mΩ CHANGE AFTER TEST. MEASURE AT 20mV, 100mA.
 - CONTACT CURRENT RATING: 5A FOR COLLECTIVELY POWER SUPPLY PIN (PINA1, A4, A9, A12, B1, B4, B9, B12); 1.25A FOR V_{CONN} PIN; 0.25A FOR OTHER SIGNAL PIN.
 - DIELECTRIC WITHSTANDING VOLTAGE: 100V AC R.M.S.
 - INSULATION RESISTANCE 100MΩ Min
 - OPERATING TEMPERATURE: -40°C ~ 85°C
- MECHANICAL CHARACTERISTICS:
 - MATING FORCE: 5~20 N.
 - UNMATED FORCE: 6~20N AFTER TEST
 - DURABILITY: 10,000 CYCLES
- PLATING:
 - TERMINAL CONTACT: (SEE TAB) GOLD PLATING ON CONTACT AREA, ALL OVER 50u" Min NICKEL AND 80u" Min Matte Tin ALL OVER 50u" Min NICKEL ON SOLDER AREA
 - SHELL: 50u" Min. NICKEL ALL OVER,
- PART NUMBER: 2UB1186-32X44-X3A

- 1: Tray 2: Tape reel
1: G/F 2: 5u" 3: 10u"
4: 15u" 5: 30u"



Detail A

Pin	Signal Name	Mating Sequence	Pin	Signal Name	Mating Sequence
A1	GND	First	B12	GND	First
A2	SSTXp1	Second	B11	SSRXp1	Second
A3	SSTXn1	Second	B10	SSRXn1	Second
A4	V _{BUS}	First	B9	V _{BUS}	First
A5	CC1	Second	B8	SBU2	Second
A6	Dp1	Second	B7	Dn2	Second
A7	Dn1	Second	B6	Dp2	Second
A8	SBU1	Second	B5	CC2	Second
A9	V _{BUS}	First	B4	V _{BUS}	First
A10	SSRXn2	Second	B3	SSTXn2	Second
A11	SSRXp2	Second	B2	SSTXp2	Second
A12	GND	First	B1	GND	First
SHELL	GND		SHELL	GND	

TOLERANCES UNLESS OTHERWISE SPECIFIED

UNIT	(MM)
X.	±0.50
X.X	±0.30
X.XX	±0.20
X.XXX	±0.10
ANGEL	±2°

Singatron Enterprise Co., Ltd.

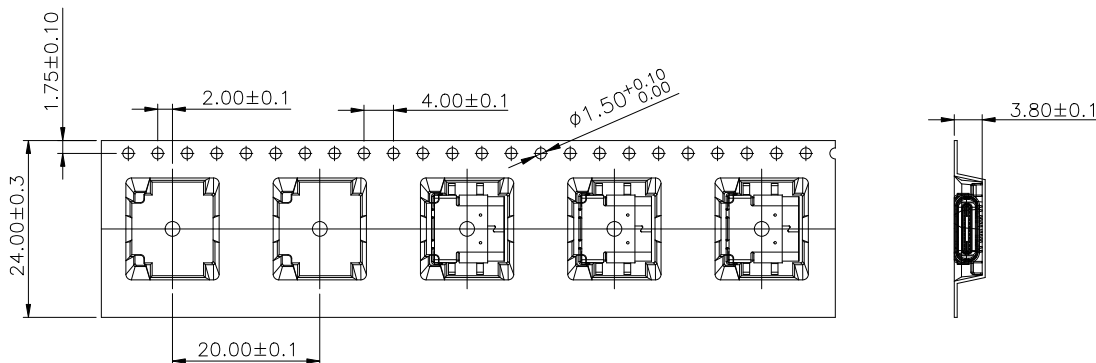
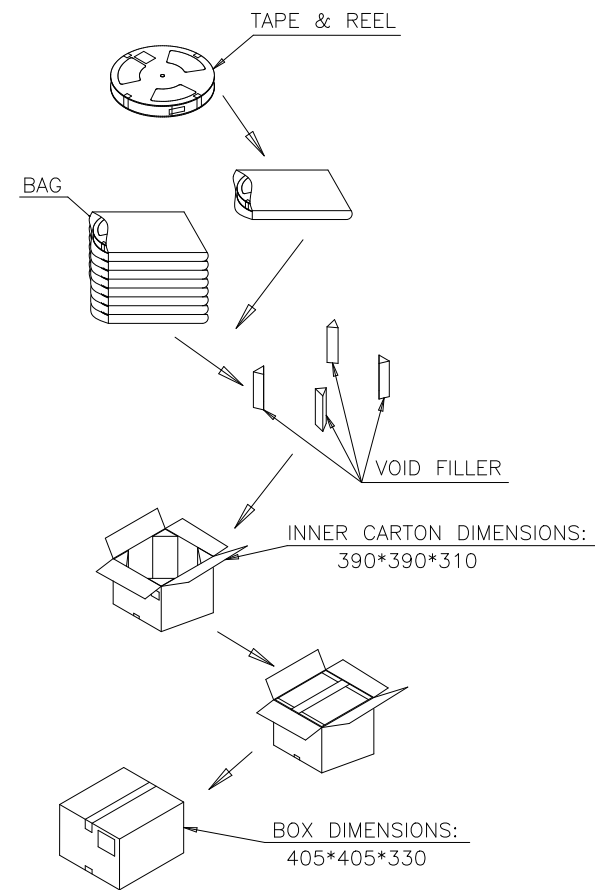
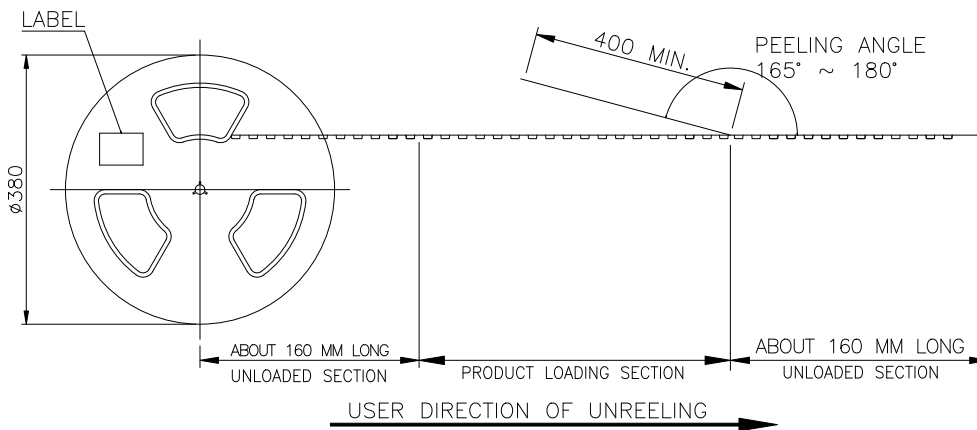
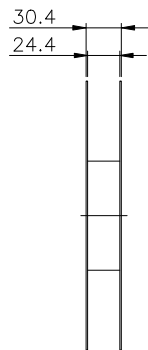
TITLE	USB 3.1 C TYPE Female CL0.88 H2.59 L9.87mm DIP TYPE		
DWN	zw-Lin	PART NO.	2UB1186-32X88-23A
CHKD	Lijun	SCALE 1:1	UNIT: mm
APVD	Nalson	SIZE: A3	SHEET: 1/2
			REV: A

CUSTOMER COPY

REV.	DESCRIPTION	ECN NO.	DWN.	CHK.	APVD.	DATE
A	NEW DRAWING	ECN NO.	zw-Lin	Lijun	Nalson	2017.09.11



RoHS Compliant HSF
2013/95/EC



NOTE:

- MATERIAL:**
BOX: FIBREBOARD, CORRUGATED, DOUBLE WALL.
TAPE: POLYSTYRENES, HEAT-RESISTANT TEMPERATURE: 120°C, BLACK COLOR.
REEL: POLYSTYRENES, HEAT-RESISTANT TEMPERATURE: 70°C, BLUE COLOR.
BAG: POLYETHYLENE, HEAT-RESISTANT TEMPERATURE: 100°C.

2. PEELING STRENGTH: 0.1 ~ 1.3 N (10 ~ 130 GRAMS)

3. PEELING SPEED: 300 mm/min.

4. EACH BAG SHALL BE INCLUDED DESICCANT.

A	NEW DARWING	ECN NO.	zw-Lin	Lijun	Nalson	2017.09.11
REV.	DESCRIPTION	ECN NO.	DWN.	CHK.	APVD.	DATE

TOLERANCES UNLESS OTHERWISE SPECIFIED	
UNIT	(MM)
X.	±0.50
X.X	±0.30
X.XX	±0.20
X.XXX	±0.10
ANGEL	±2'

1000	10	10000 PCS	-- KG	-- KG
PCS/ REEL	REELS/ CARTON	QUANTITY	GROSS WEIGHT	NET WEIGHT

Singatron Enterprise Co., Ltd.				
TITLE	USB 3.1 C TYPE Female CL0.88 H2.59 L9.87mm DIP TYPE			
DWN	zw-Lin	PART NO.	2UB1186-32X88-23A	
CHKD	Lijun	SCALE 1:1	UNIT: mm	
APVD	Nalson	SIZE: A3	SHEET: 2/2	REV: A
CUSTOMER COPY				