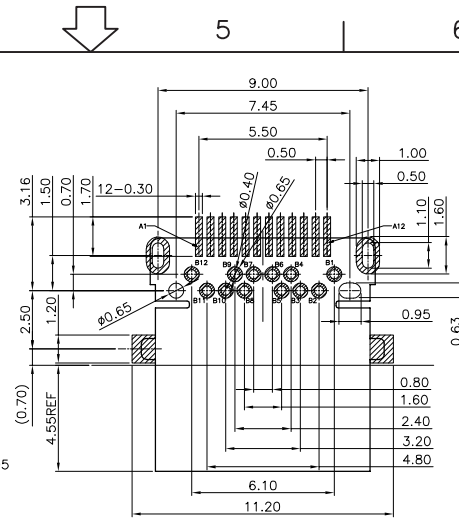
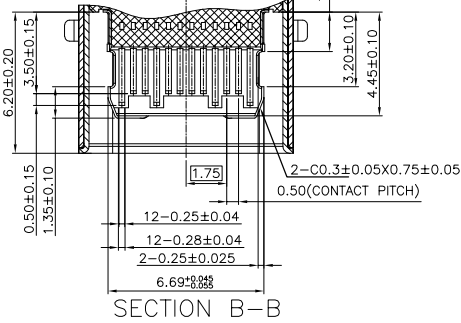
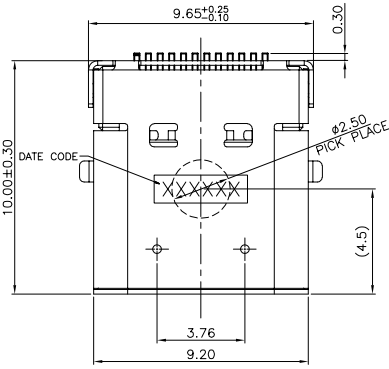


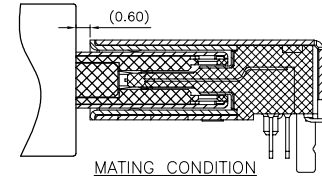


RoHS Compliant
2013/95/EC

HSF



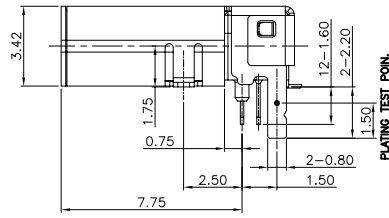
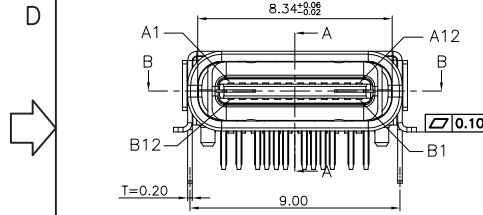
RECOMMEND P.C.B LAYOUT (COMPONENT SIDE)
TOLERANCE FOR PCB LAYOUT IS ±0.05
KEEP OUT AREA



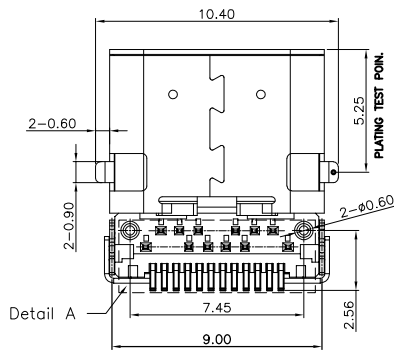
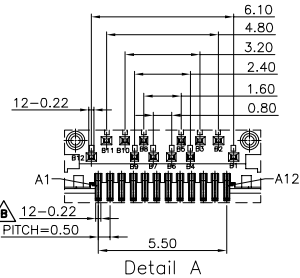
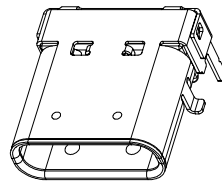
NOTE:

- MATERIAL:**
 - INSULATOR: HIGH TEMPERATURE PLASTIC UL 94 V-0; Black Color
 - CONTACT: COPPER ALLOY(T=0.15mm)
 - SHELL: STAINLESS STEEL(T=0.20mm)
 - COVER SHELL: COPPER ALLOY(T=0.20mm)
 - INNER GROUND COVER SHELL: STAINLESS STEEL(T=0.10mm)
 - MID PLATE: STAINLESS STEEL(T=0.10mm)
- ELECTRICAL CHARACTERISTICS:**
 - CONTACT RESISTANCE: 40mΩ Max FOR INITIAL, 10mΩ CHANGE AFTER TEST. MEASURE AT 20mV, 100mA.
 - CONTACT CURRENT RATING: 5A FOR COLLECTIVELY POWER SUPPLY
 - DI DIELECTRIC WITHSTANDING VOLTAGE: 1.25A FOR V_{OH} PIN; 0.25A FOR OTHER SIGNAL PIN.
 - INSULATION RESISTANCE 100MΩ Min
 - OPERATING TEMPERATURE: -40°C ~ 85°C
- MECHANICAL CHARACTERISTICS:**
 - MATING FORCE: 5~20 N;
 - UNMATED FORCE: 8~20N INITIAL TEST; 6~20N DURABILITY AFTER TEST
 - DURABILITY: 10,000 CYCLES
- PLATING**
 - TERMINAL CONTACT: (SEE TAB) GOLD PLATING ON CONTACT AREA, ALL OVER 50u" Min NICKEL AND 80u" Min Matte Tin ALL OVER 50u" Min NICKEL ON SOLDER AREA
 - SHELL: 50u" Min. NICKEL ALL OVER,
 - COVER SHELL: 80u" Min. NICKEL ALL OVER,
 - INNER GROUND COVER SHELL: CLEAN
 - MID PLATE: CLEAN
- PART NUMBER:**
2UB1186-32X96-X3A

- 1: Tray 2: Tape reel
1: G/F 2: 5u" 3: 10u" 4: 15u" 5: 30u"



SECTION A-A



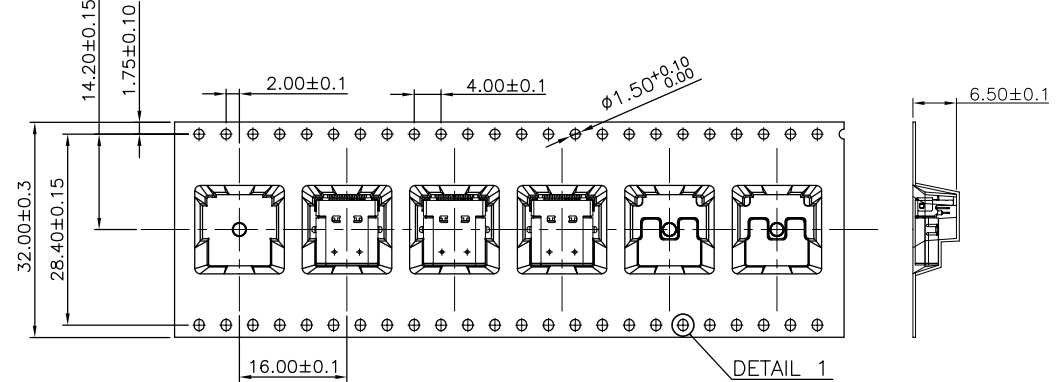
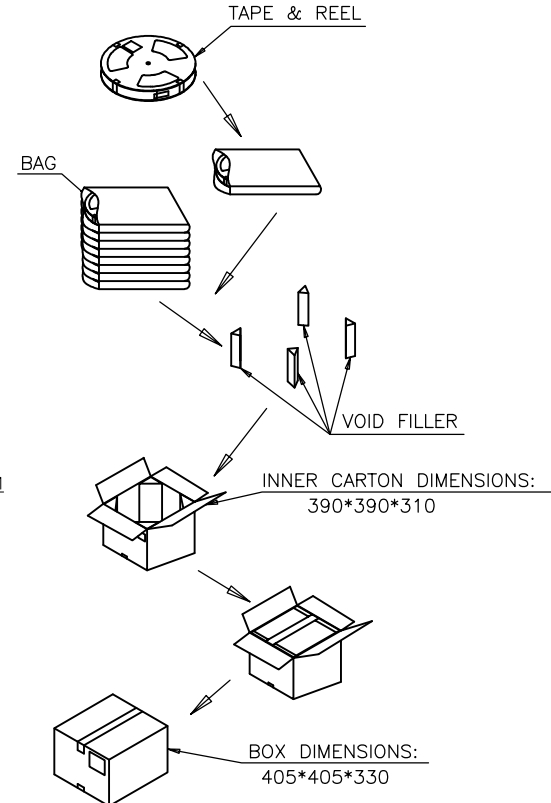
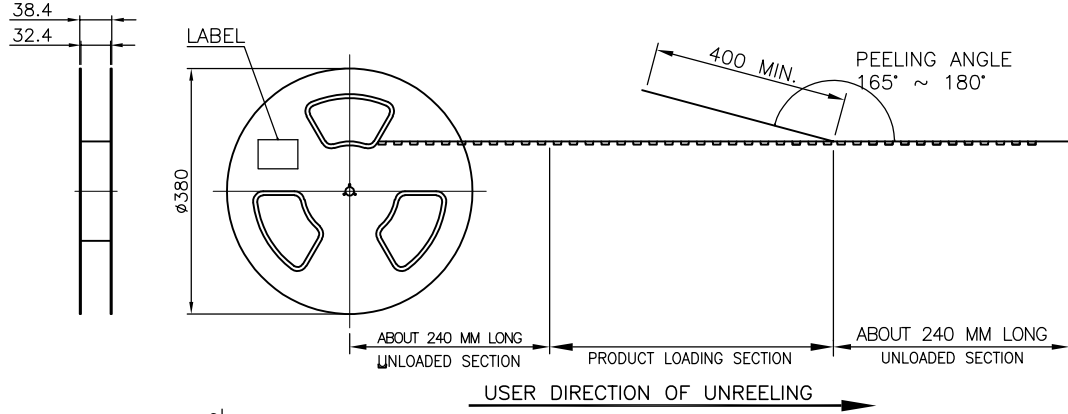
REV	DESCRIPTION	ECN NO	DWN	CHK	APVD	DATE
B	ALTER HOUSING	20180709002	Lin-ZW	Lin-ZW	Nalson	2018.07.09
A	NEW DARWING	20171108001	HZZ	Nalson	DC	2017.11.08

TOLERANCES UNLESS OTHERWISE SPECIFIC	
UNIT	(MM)
X.	±0.50
X.X	±0.30
X.XX	±0.20
X.XXX	±0.10
ANGEL	±2°

Singatron Enterprise Co., Ltd.			
TITLE	USB 3.1 C TYPE FEMALE CL1.75 H3.46mm SMT&DIP TYPE		
DWN	Lin-ZW	PART NO. 2UB1186-32X96-23A	
CHKD	Lin-ZW	SCALE 1:1	UNIT: mm
APVD	Nalson	SIZE: A3	SHEET: 1/2
REV: B			
CUSTOMER COPY			

RoHS Compliant 2013/95/EC HSF

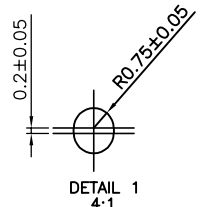
No.	Part No.	Part Name	Q'TY	Material	Finish



NOTE:

- MATERIAL:
 BOX: FIBREBOARD, CORRUGATED, DOUBLE WALL.
 TAPE: POLYSTYRENES, HEAT-RESISTANT TEMPERATURE: 120°C, BLACK COLOR.
 REEL: POLYSTYRENES, HEAT-RESISTANT TEMPERATURE: 70°C, BLUE COLOR.
 BAG: POLYETHYLENE, HEAT-RESISTANT TEMPERATURE: 100°C.

- PEELING STRENGTH: 0.1 ~ 1.3 N (10 ~ 130 GRAMS)
- PEELING SPEED: 300 mm/min.
- EACH BAG SHALL BE INCLUDED DESICCANT.



REV	DESCRIPTION	ECN NO	DWN	CHK	APVD	DATE
B	ALTER HOUSING	20180709002	Lin-ZW	Lin-ZW	Nalson	2018.07.09
A	NEW DARWING	20171108001	HZZ	Nalson	DC	2017.11.08

TOLERANCES UNLESS OTHERWISE SPECIFIED	
UNIT	(MM)
X.	±0.20
X.X	±0.15
X.XX	±0.10
X.XXX	±0.05
ANGEL	±1°

900	8	7200 PCS	-- KG	-- KG
PCS/ REEL	REELS/ CARTON	QUANTITY	GROSS WEIGHT	NET WEIGHT

Singatron Enterprise Co., Ltd.				
TITLE	USB 3.1 C TYPE FEMALE CL1.75 H3.46mm SMT&DIP TYPE			
DWN	Lin-ZW	PART NO. 2UB1186-32X96-23A		
CHKD	Lin-ZW	SCALE 1:1	UNIT: mm	
APVD	Nalson	SIZE: A3	SHEET: 2/2	REV: B
CUSTOMER COPY				