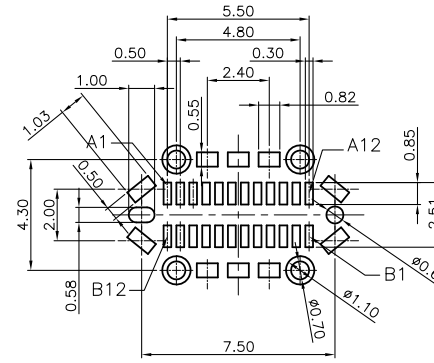
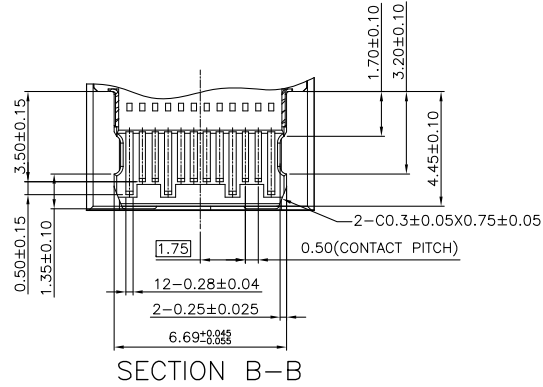
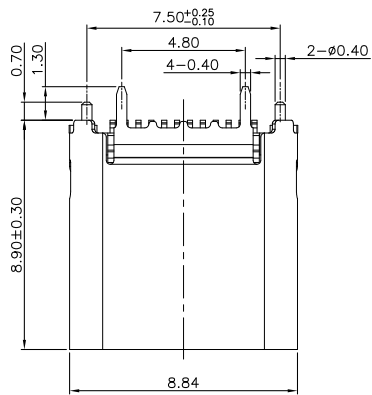


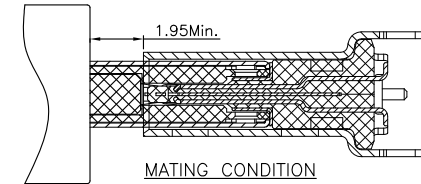


RoHS Compliant HSF
2013/95/EC



RECOMMEND P.C.B LAYOUT (COMPONENT SIDE)
TOLERANCE FOR PCB LAYOUT IS ±0.05
KEEP OUT AREA

Pin	Signal Name	Mating Sequence	Pin	Signal Name	Mating Sequence
A1	GND	First	B12	GND	First
A2	SSTXp1	Second	B11	SSRXp1	Second
A3	SSTXn1	Second	B10	SSRXn1	Second
A4	V _{BUS}	First	B9	V _{BUS}	First
A5	CC1	Second	B8	SBU2	Second
A6	Dp1	Second	B7	Dn2	Second
A7	Dn1	Second	B6	Dp2	Second
A8	SBU1	Second	B5	CC2	Second
A9	V _{BUS}	First	B4	V _{BUS}	First
A10	SSRXn2	Second	B3	SSTXn2	Second
A11	SSRXp2	Second	B2	SSTXp2	Second
A12	GND	First	B1	GND	First
SHELL	GND		SHELL	GND	



MATING CONDITION

NOTE:

1. MATERIAL:

- 1.1 INSULATOR: HIGH TEMPERATURE PLASTIC UL 94 V-0; Black Color
- 1.2 CONTACT: COPPER ALLOY (T=0.15mm)
- 1.3 SHELL: STAINLESS STEEL (T=0.20mm)

2. ELECTRICAL CHARACTERISTICS:

- 2.1 CONTACT RESISTANCE: 40mΩ Max FOR INITIAL, 10mΩ CHANGE AFTER TEST. MEASURE AT 20mV, 100mA.
- 2.2 CONTACT CURRENT RATING: 5A FOR V_{BUS} PIN; 1.25A FOR V_{CONN} PIN.

- 2.3 DIELECTRIC WITHSTANDING VOLTAGE: 100V AC R.M.S.
- 2.4 INSULATION RESISTANCE 100MΩ Min
- 2.5 OPERATING TEMPERATURE: -40°C ~ 85°C

3. MECHANICAL CHARACTERISTICS:

- 3.1 MATING FORCE: 5~20 N.
- 3.2 UNMATED FORCE: 8~20N AFTER TEST
- 3.3 DURABILITY: 10,000 CYCLES

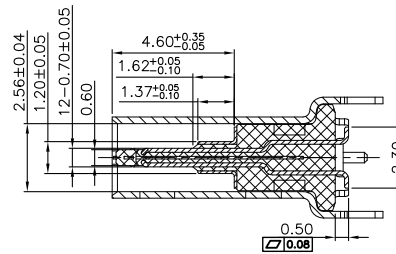
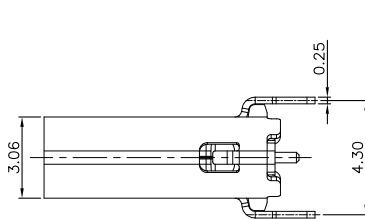
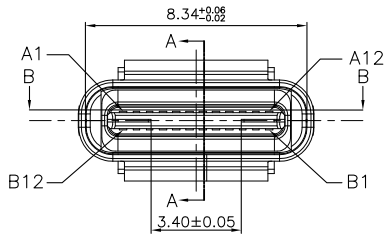
4. PLATING

- 4.1 TERMINAL CONTACT: (SEE TAB) GOLD PLATING ALL OVER 50u" Min NICKEL AND 80u" Min Matte Tin ALL OVER 50u" Min NICKEL ON SOLDER AREA
- 4.2 SHELL: 50u" Min. NICKEL ALL OVER,

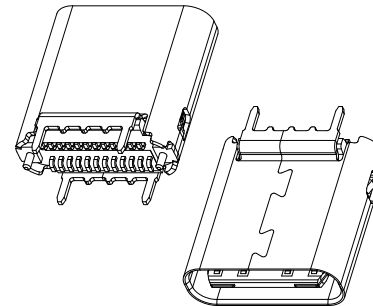
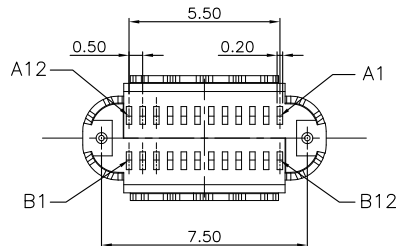
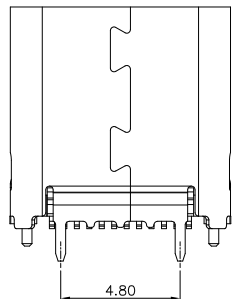
5. PART NUMBER:

2UB1186-62X02-X3A

- 1: Tray 2: Tape real
- 1: G/F 2: 5u" 3: 10u"
- 4: 15u" 5: 30u"



SECTION A-A



REV.	DESCRIPTION	ECN NO.	DWN.	CHK.	APVD.	DATE
A	NEW DARWING	ECN NO.	Leiny	Chain	DC	2015.08.07

UNLESS OTHERWISE SPECIFIED TOLERANCES

DECIMALS:	ANGLES:
X : ±0.5	X : ±2°
X.X : ±0.3	X.X : ±1°
X.XX : ±0.2	



Singatron Enterprise Co., Ltd.
信音企業股份有限公司

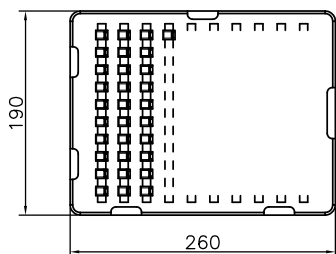
TITLE	USB 3.1 C TYPE FEMALE VERTICAL H8.9mm SMT TYPE		
DWN	2015.08.07	PART NO.	2UB1186-62X02-13A
CHKD	2015.08.07	SCALE 1:1	UNIT: mm
APVD	2015.08.07	SIZE: A3	SHEET: 1 OF 2

CUSTOMER COPY

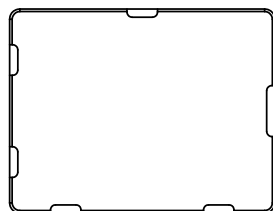


RoHS Compliant HSF
2013/95/EC

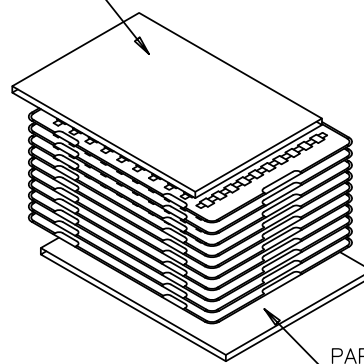
10*10=100PCS/TRAY



THE SECOND LAYER IS PLACED ON THE BASIS OF THE FIRST LAYER STACK,THE THIRD,FOUR LAYERS.....AND SO ON



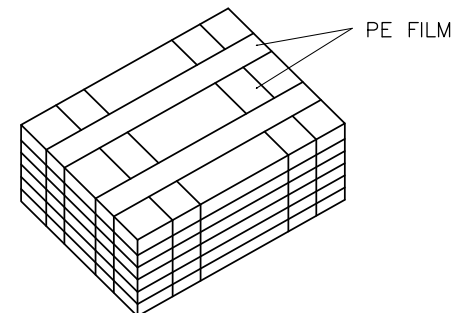
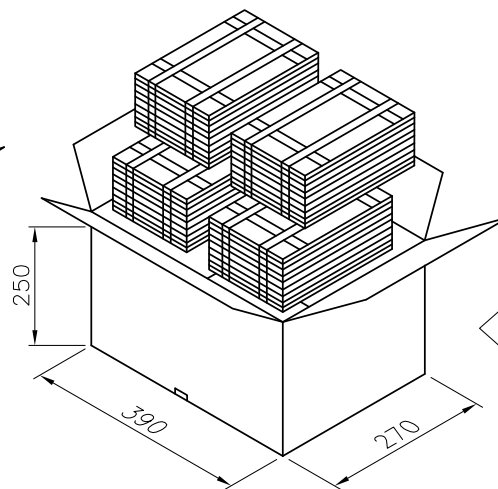
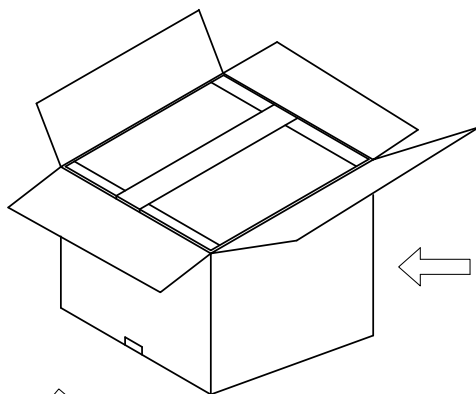
PAPER PARTITION



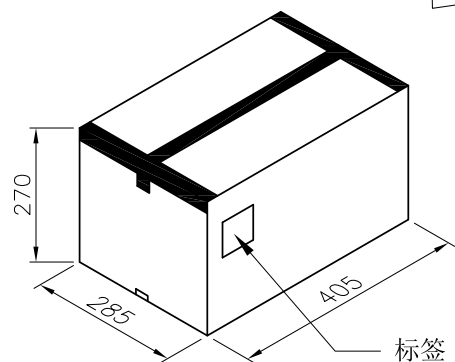
PAPER PARTITION

20 TRAY/SHEAF,EACH SHEAF PACKING PRODUCTS 2000 PCS,PACKED PRODUCTS,THE PRODUCT OF AN EMPTY TRAY ON THE TOP COVER,EACH SHEAF BOTTOM AND TOP PUT A PAPER PLATE

PLACED AFTER THE GOOD PRODUCT WITH SEALING TAPE WILL BE PACKING CARTON;THE ENCAPSULATED INSIDE THE BOX IN L405*W285*H270MM OUTSIDE THE CARTON.



AFTER THE TRAY WAS FOLDED WITH PE FILM ON THE TWISTS



INNER CARTON INTO THE OUTER CARTON, USE SEALING TAPE WILL TAKE PLACE OUTSIDE THE CARTON SEALING, THE LABELS PASTE ON THE OUTSIDE OF THE CARTON

TAKE 390*270*250mm CARTON AND FOLDED, WILL BE PACKAGED PRODUCTS IN 390*270*250mm INSIDE THE CARTONS,EACH CARTONS PACKED TWO SHEAF, A TOTAL OF PRODUCTS 8000PCS.

A	NEW DARWING	ECN NO.	Leiny	Chain	DC	2015.08.07
REV.	DESCRIPTION	ECN NO.	DWN.	CHK.	APVD.	DATE

UNLESS OTHERWISE SPECIFIED TOLERANCES

DECIMALS:	ANGLES:
X :±0.5	X :±2°
X.X :±0.3	X.X :±1°
X.XX :±0.2	

Singatron Enterprise Co., Ltd.
信音企業股份有限公司

TITLE	USB 3.1 C TYPE FEMALE VERTICAL H8.9mm SMT TYPE		
DWN	2015.08.07	PART NO.	2UB1186-62X02-13A
CHKD	2015.08.07	SCALE 1:1	UNIT: mm
APVD	2015.08.07	SIZE: A3	SHEET: 2 OF 2
		REV:	A

CUSTOMER COPY