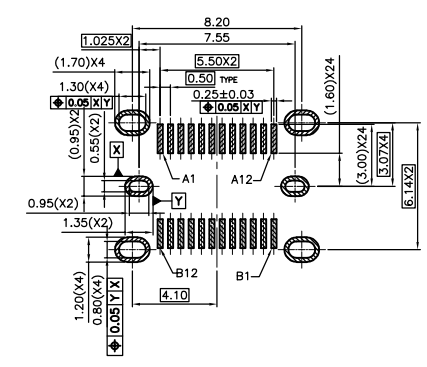
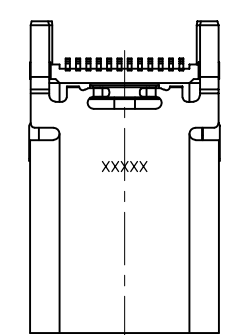
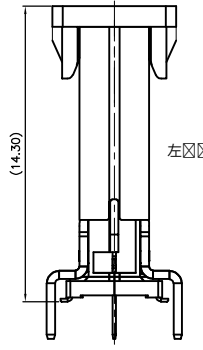
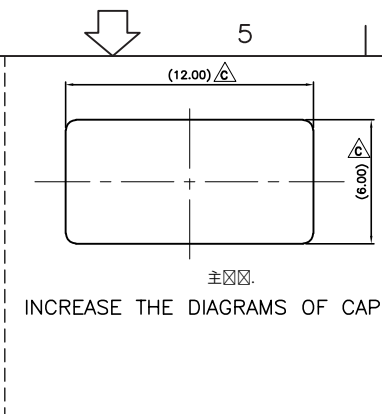


1 2 3 4 5 6 7 8

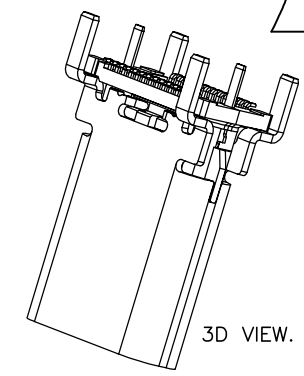
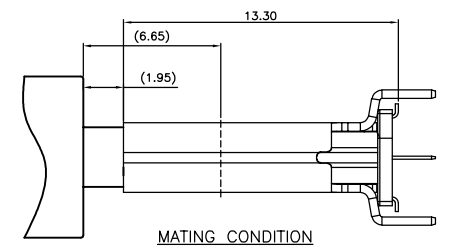
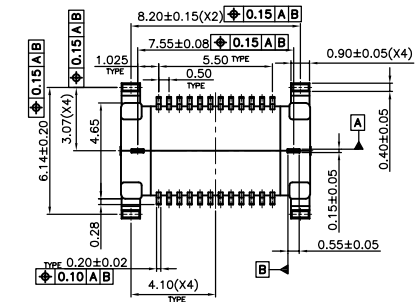
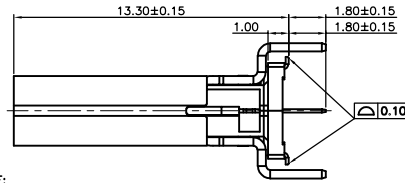
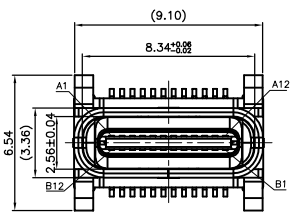
F
E
D
C
B
A



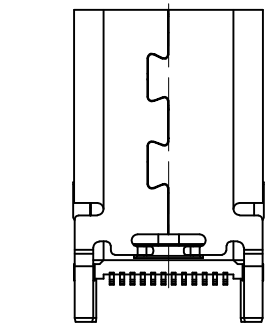
RECOMMEND P.C.B LAYOUT (COMPONENT SIDE)
TOLERANCE FOR PCB LAYOUT IS ± 0.05
PAD AREA



Pin	Signal Name	Mating Sequence	Pin	Signal Name	Mating Sequence
A1	GND	First	B12	GND	First
A2	SSTXp1	Second	B11	SSRXp1	Second
A3	SSTXn1	Second	B10	SSRXn1	Second
A4	V _{BUS}	First	B9	V _{BUS}	First
A5	CC1	Second	B8	SBU2	Second
A6	Dp1	Second	B7	Dn2	Second
A7	Dn1	Second	B6	Dp2	Second
A8	SBU1	Second	B5	CC2	Second
A9	V _{BUS}	First	B4	V _{BUS}	First
A10	SSRXn2	Second	B3	SSTXn2	Second
A11	SSRXp2	Second	B2	SSTXp2	Second
A12	GND	First	B1	GND	First
SHELL		GND	SHELL		GND



NOTE:
1. MATERIAL:
1.1 INSULATOR: HIGH TEMPERATURE PLASTIC UL 94 V-0 Black Color
1.2 CONTACT: HIGH CONDUCTIVITY COPPER (C18400, T=0.15mm)
1.3 SHELL: STAINLESS STEEL (T=0.40mm)
2. ELECTRICAL CHARACTERISTICS:
2.1 CONTACT RESISTANCE: 40mΩ Max FOR INITIAL, 10mΩ CHANGE AFTER TEST. MEASURE AT 20mV, 100mA.
2.2 CONTACT CURRENT RATING: 5A FOR COLLECTIVELY POWER SUPPLY PIN (PIN1, A4, A9, A12, B1, B4, B9, B12); 1.25A FOR V_{COMMON} PIN; 0.25A FOR OTHER SIGNAL PIN.
2.3 DIELECTRIC WITHSTANDING VOLTAGE: 100V AC R.M.S.
2.4 INSULATION RESISTANCE 100MΩ Min
2.5 OPERATING TEMPERATURE: -40°C ~ 85°C
3. MECHANICAL CHARACTERISTICS:
3.1 MATING FORCE: 5~20 N.
3.2 UNMATED FORCE: 6~20N AFTER TEST
3.3 DURABILITY: 10,000 CYCLES
4. PLATING
4.1 TERMINAL CONTACT: (SEE TAB) GOLD PLATING ON CONTACT AREA, ALL OVER 50u" Min NICKEL AND 80u" Min Matte Tin ALL OVER 50u" Min NICKEL ON SOLDER AREA
4.2 SHELL: 50u" Min. NICKEL ALL OVER,
5. PART NUMBER:
2UB1186-62X11-X3A
1: Tray 2: Tape reel
1: G/F 2: 5u" 3: 10u" 4: 15u" 5: 30u"



REV.	DESCRIPTION	ECN NO.	DWN.	CHK.	APVD.	DATE
C	修改CAP尺寸	201811130040	gh-Li	lhp.liu	Nalson	2018.11.13
B	修改CAP结构	20180907005	lhp.liu	lhp.liu	Nalson	2018.09.07
A	UPDATA DARWING		zw-Lin	zw-Lin	Nalson	2018.05.03
T1	NEW DARWING	ECN NO.	zw-Lin	Lijun	Nalson	2017.12.28

TOLERANCES UNLESS OTHERWISE SPECIFIED

UNIT	(MM)
X.	±0.50
X.X	±0.30
X.XX	±0.20
X.XXX	±0.10
ANGEL	±2°

Singatron Enterprise Co., Ltd.

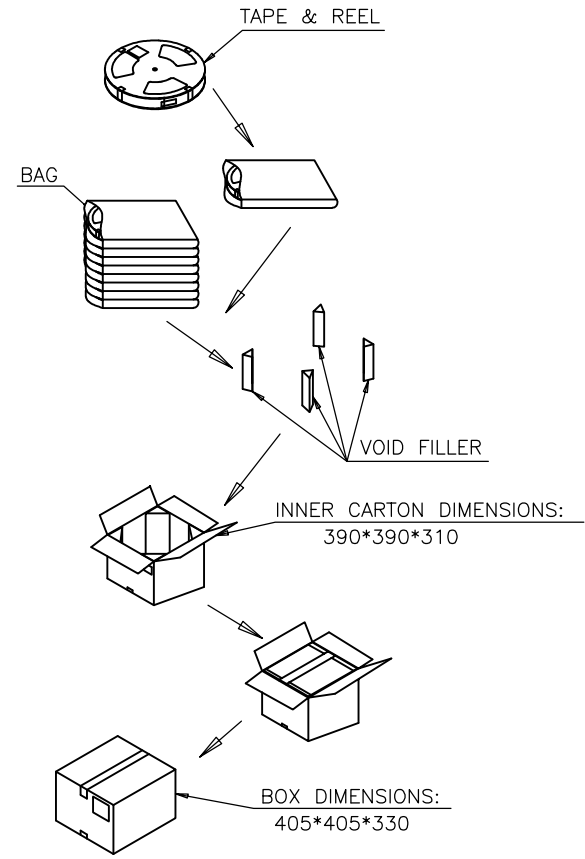
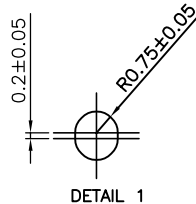
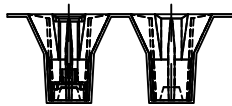
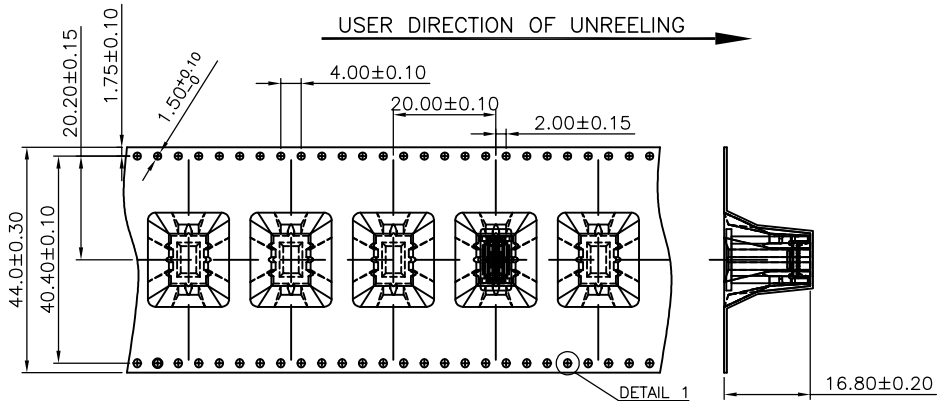
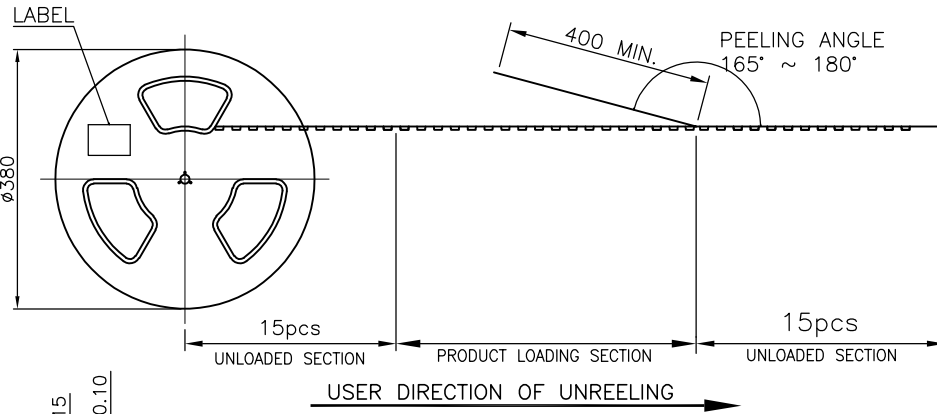
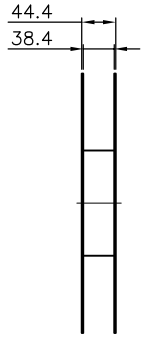
TITLE	USB 3.1 TYPE C FEMALE VERTICAL H13.30mm SMT TYPE		
DWN	zw-Lin	PART NO. 2UB1186-62X11-23A	
CHKD	2017.12.28	SCALE 1:1	UNIT: mm
APVD		SIZE: A3	SHEET: 1/2
REV: C			
CUSTOMER COPY			

1 2 3 4 5 6 7 8



RoHS Compliant
2013/95/EC

HSF



NOTE:

- MATERIAL:**
BOX: FIBREBOARD, CORRUGATED, DOUBLE WALL.
TAPE: POLYSTYRENES, HEAT-RESISTANT TEMPERATURE: 120°C, BLACK COLOR.
REEL: POLYSTYRENES, HEAT-RESISTANT TEMPERATURE: 70°C, BLUE COLOR.
BAG: POLYETHYLENE, HEAT-RESISTANT TEMPERATURE: 100°C.
- PEELING STRENGTH:** 0.1 ~ 1.3 N (10 ~ 130 GRAMS)
- PEELING SPEED:** 300 mm/min.
- EACH BAG SHALL BE INCLUDED DESICCANT.**

REV.	DESCRIPTION	ECN NO.	DWN.	CHK.	APVD.	DATE
C	修改CAP尺寸	201811130040	gh-Li	lhp.liu	Nalson	2018.11.13
B	修改CAP结构	20180907005	lhp.liu	lhp.liu	Nalson	2018.09.07
A	UPDATA DARWING		zw-Lin	zw-Lin	Nalson	2018.05.03
T1	NEW DARWING	ECN NO.	zw-Lin	Lijun	Nalson	2017.12.28

TOLERANCES UNLESS OTHERWISE SPECIFIED	
UNIT	(MM)
X.	±0.50
X.X	±0.30
X.XX	±0.20
X.XXX	±0.10
ANGEL	±2°

PCS/ REEL	REELS/ CARTON	QUANTITY	GROSS WEIGHT	NET WEIGHT
250	6	1500 PCS	-- KG	-- KG

Singatron Enterprise Co., Ltd.

TITLE	USB 3.1 TYPE C FEMALE VERTICAL H13.30mm SMT TYPE		
DWN	zw-Lin	PART NO.	2UB1186-62X11-23A
CHKD	2017.12.28	SCALE: 1:1	UNIT: mm
APVD		SIZE: A3	SHEET: 1/2

CUSTOMER COPY