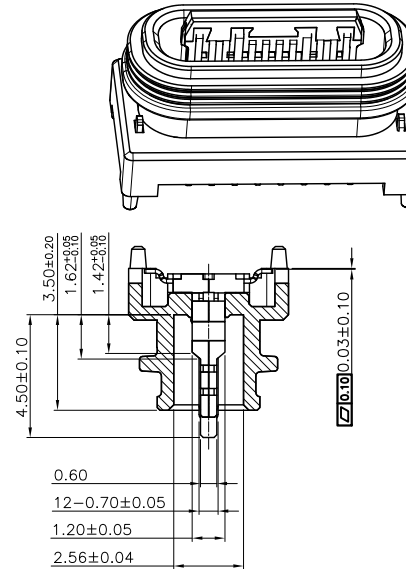
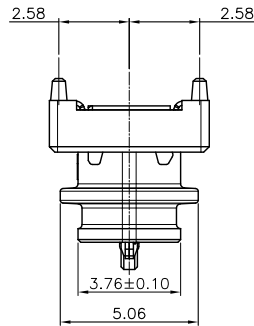
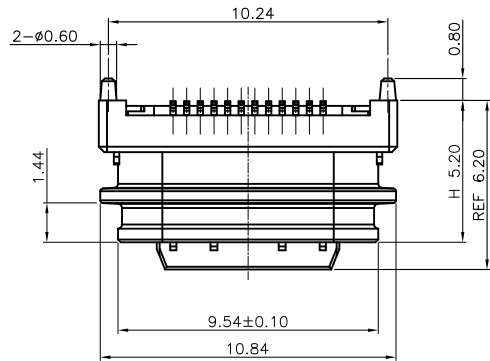


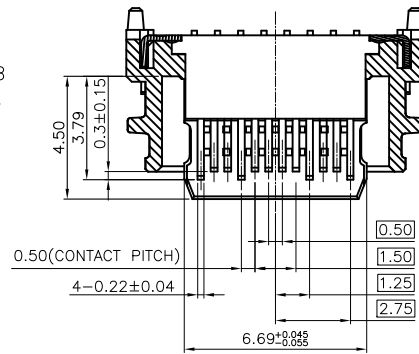
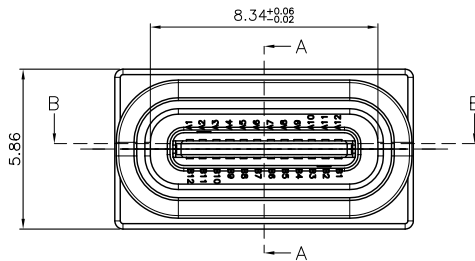


**RoHS Compliant HSF**  
2013/95/EC

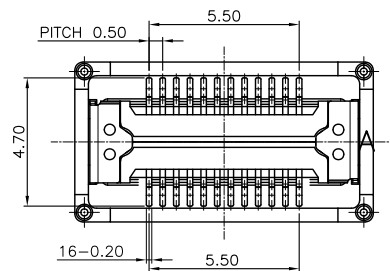
Pin	Signal Name	Mating Sequence	Pin	Signal Name	Mating Sequence
A1	GND	First	B12	GND	First
A2	SSTXp1	Second	B11	SSRXp1	Second
A3	SSTXn1	Second	B10	SSRXn1	Second
A4	V <sub>BUS</sub>	First	B9	V <sub>BUS</sub>	First
A5	CC1	Second	B8	SBU2	Second
A6	Dp1	Second	B7	Dn2	Second
A7	Dn1	Second	B6	Dp2	Second
A8	SBU1	Second	B5	CC2	Second
A9	V <sub>BUS</sub>	First	B4	V <sub>BUS</sub>	First
A10	SSRXn2	Second	B3	SSTXn2	Second
A11	SSRXp2	Second	B2	SSTXp2	Second
A12	GND	First	B1	GND	First
SHELL	GND		SHELL	GND	



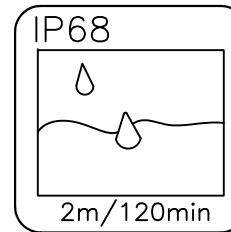
SECTION A-A



SECTION B-B



BOTTOM VIEW



**NOTE:**

**1.MATERIAL:**

- 1.1 INSULATOR: HIGH TEMPERATURE PLASTIC UL 94 V-0;
- 1.2 CONTACT: COPPER ALLOY(T=0.15mm)
- 1.3 SHELL:STAINLESS STEEL(T=0.25mm)
- 1.4 O Ring:RUBBER

**2.ELECTRICAL CHARACTERISTICS:**

- 2.1 CONTACT RESISTANCE: 40mΩ Max FOR INITIAL. 10mΩ CHANGE AFTER TEST. MEASURE AT 20mV, 100mA.
- 2.2 CONTACT CURRENT RATING: 5A FOR VBUS PIN; 1.25A FOR VCONN PIN.
- 2.3 DIELECTRIC WITHSTANDING VOLTAGE: 100V AC R.M.S.
- 2.4 INSULATION RESISTANCE 100MΩ Min
- 2.5 OPERATING TEMPERATURE: -40°C ~ 85°C

**3 MECHANICAL CHARACTERISTICS:**

- 3.1 MATING FORCE: 5~20 N.
- 3.2 UNMATED FORCE: 8~20N AFTER TEST
- 3.3 DURABILITY: 10,000 CYCLES

**4.PLATING**

- 4.1 TERMINAL CONTACT: (SEE TAB) GOLD PLATING ALL OVER 50u" Min NICKEL AND 80u"Min Tin ALL OVER 50u" Min NICKEL ON SOLDER AREA
- 4.2 OUT SHELL: 50u" Min. NICKEL ALL OVER

**5.PART NUMBER:**

2UB1186-62X26-23A

- 1: Tray    2: Tape reel
- 1: G/F    2: 5u"    3: 10u"
- 4: 15u"    5: 30u"

TOLERANCES UNLESS OTHERWISE SPECIFIED

UNIT	(MM)
X.	±0.50
X.X	±0.30
X.XX	±0.20
X.XXX	±0.10
ANGEL	±2'

**Singatron Enterprise Co., Ltd.**

TITLE	USB CF VERTICAL WATERPROOF H5.20 SMT TYPE IPX8			
DWN	YYT	PART NO. 2UB1186-62X26-23A		
CHKD	2022.05.19	SCALE 1:1	UNIT: mm	
APVD	FCC	SIZE: A3	SHEET:1 OF 3	REV: A

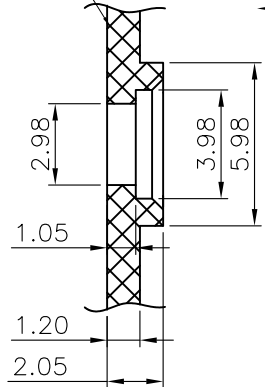
**CUSTOMER COPY**

REV.	DESCRIPTION	ECN NO.	DWN.	CHK.	APVD.	DATE
A	NEW DARWING	ECN NO.	YYT	YWL	FCC	2022.05.19

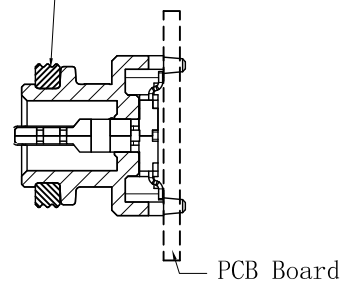


**RoHS Compliant**  
2013/95/EC

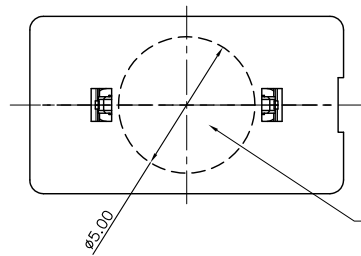
Enclosure Panel



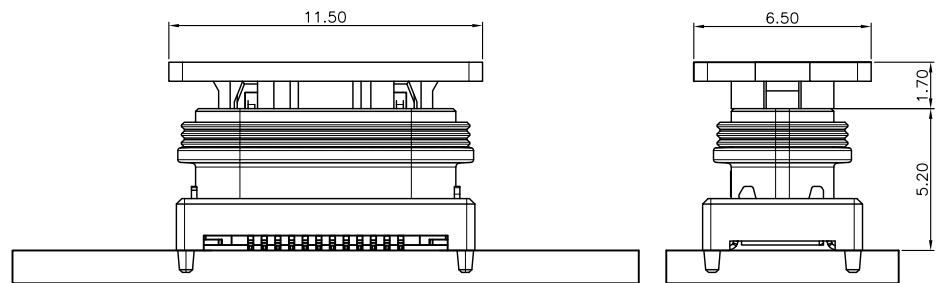
Silicon Rubber Sealing Ring



Assembly Mode, Left And Right Assembly

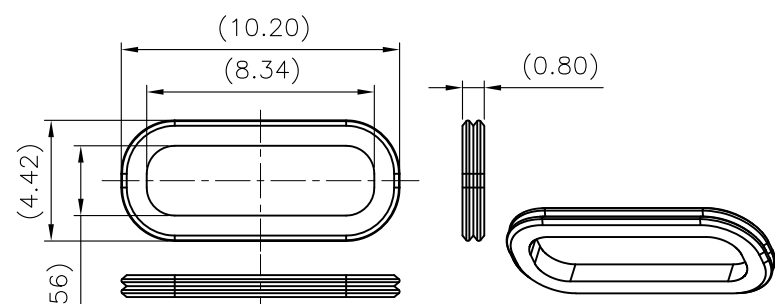
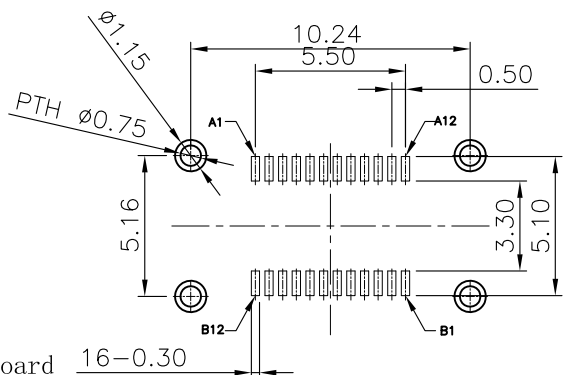
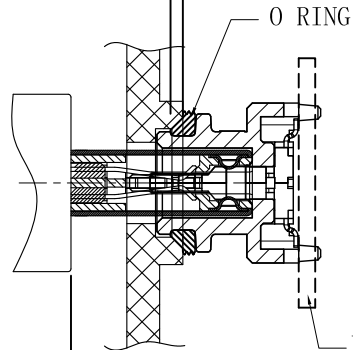


PICK PLACE AREA



WITH CAP

Enclosure Panel And Sealing Rng  
Recommended Compression 50% Min



Specification Of Waterproof Ring  
(Made Of Silicone Rubber)

Schematic Diagram Of Male And  
Female Mating After Panel Assembly

RECOMMEND P.C.B LAYOUT (COMPONENT SIDE)

TOLERANCE FOR PCB LAYOUT IS ±0.05

REV.	DESCRIPTION	ECN NO.	DWN.	CHK.	APVD.	DATE
A	NEW DARWING	ECN NO.	YYT	YWL	FCC	2022.05.19

TOLERANCES UNLESS OTHERWISE SPECIFIED	
UNIT	(MM)
X.	±0.50
X.X	±0.30
X.XX	±0.20
X.XXX	±0.10
ANGEL	±2°

Singatron Enterprise Co., Ltd.

TITLE	USB CF VERTICAL WATERPROOF H5.20 SMT TYPE IPX8			
DWN	YYT	PART NO.	2UB1186-62X26-23A	
CHKD	2022.05.19	SCALE	1:1	UNIT: mm
APVD	FCC	SIZE: A3	SHEET: 2 OF 3	REV: A

CUSTOMER COPY



**RoHS Compliant** HSF  
2013/95/EC

1 2 3 4 5 6 7 8

F

E

D

C

B

A

38.4  
32.4

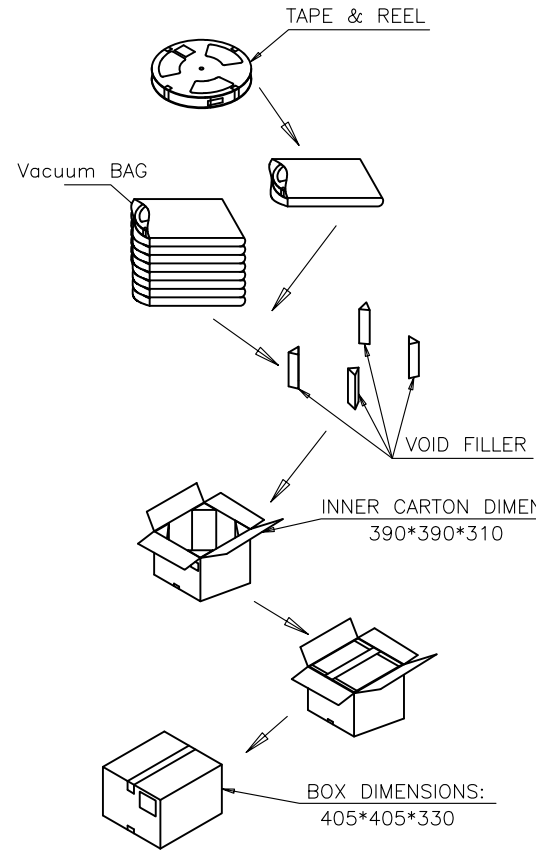
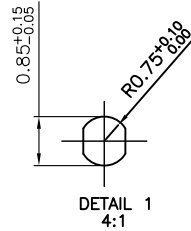
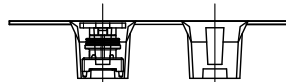
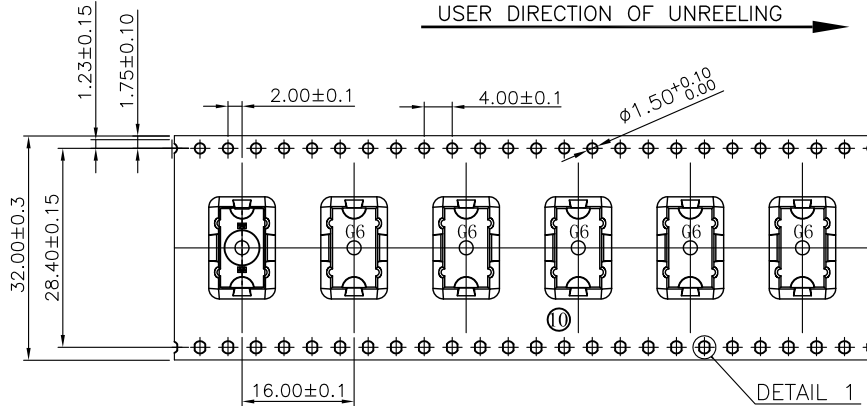
LABEL

Ø380

400 MIN.  
PEELING ANGLE  
165° ~ 180°

ABOUT 160 MM LONG UNLOADED SECTION  
PRODUCT LOADING SECTION  
ABOUT 160 MM LONG UNLOADED SECTION

USER DIRECTION OF UNREELING



NOTE:

- MATERIAL:  
BOX: FIBREBOARD, CORRUGATED, DOUBLE WALL.  
TAPE: POLYSTYRENES, HEAT-RESISTANT TEMPERATURE: 120°C, BLACK COLOR.  
REEL: POLYSTYRENES, HEAT-RESISTANT TEMPERATURE: 70°C, BLUE COLOR.  
BAG: POLYETHYLENE, HEAT-RESISTANT TEMPERATURE: 100°C.
- PEELING STRENGTH: 0.1 ~ 1.3 N (10 ~ 130 GRAMS)
- PEELING SPEED: 300 mm/min.
- EACH BAG SHALL BE INCLUDED DESICCANT.

650	8	5200 PCS	-- KG	-- KG
PCS/ REEL	REELS/ CARTON	QUANTITY	GROSS WEIGHT	NET WEIGHT

TOLERANCES UNLESS  
OTHERWISE SPECIFIED

UNIT	(MM)
X.	±0.20
X.X	±0.15
X.XX	±0.10
X.XXX	±0.05
ANGEL	±1°

Singatron Enterprise Co., Ltd.

TITLE	USB CF VERTICAL WATERPROOF H5.20 SMT TYPE IPX8			
DWN	YYT	PART NO.	2UB1186-62X26-23A	
CHKD	2022.5.19	SCALE	1:1	UNIT: mm
APVD	FCC	SIZE: A3	SHEET: 3 OF 3	REV: A

REV.	DESCRIPTION	ECN NO.	DWN.	CHK.	APVD.	DATE
A	NEW DARWING	ECN NO.	YYT	YWL	FCC	2022.05.19

CUSTOMER COPY

1 2 3 4 5 6 7 8