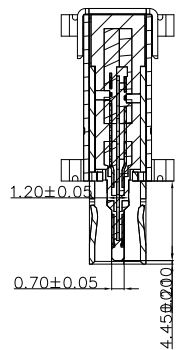
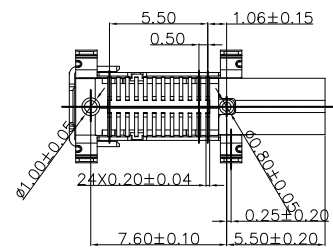
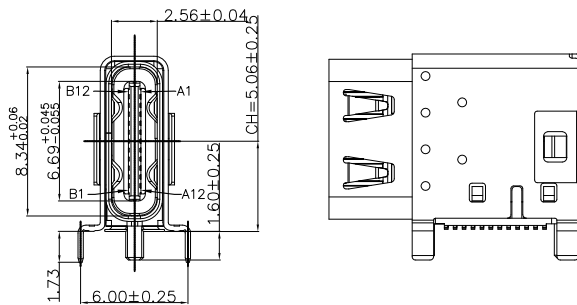
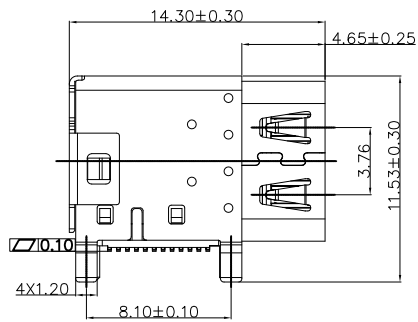
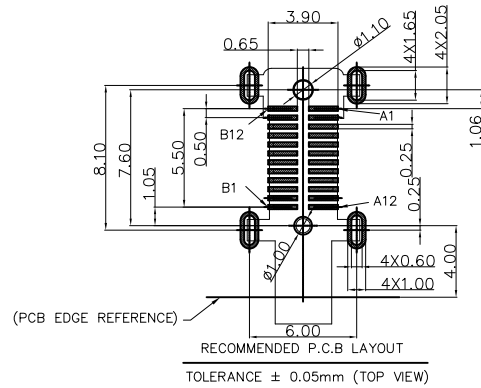
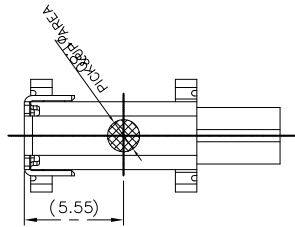




RoHS Compliant HSF
2013/95/EC



Pin	Signal Name	Mating Sequence	Pin	Signal Name	Mating Sequence
A1	GND	First	B12	GND	First
A2	SSTXp1	Second	B11	SSRXp1	Second
A3	SSTXn1	Second	B10	SSRXn1	Second
A4	V _{ms}	First	B9	V _{ms}	First
A5	CC1	Second	B8	SBU2	Second
A6	Dp1	Second	B7	Dn2	Second
A7	Dn1	Second	B6	Dp2	Second
A8	SBU1	Second	B5	CC2	Second
A9	V _{ms}	First	B4	V _{ms}	First
A10	SSRXn2	Second	B3	SSTXn2	Second
A11	SSRXp2	Second	B2	SSTXp2	Second
A12	GND	First	B1	GND	First
SHELL	GND		SHELL	GND	

SPECIFICATION

- CURRENT RATING : 5.0A FOR V_{bus} PIN,
1.25A FOR V_{conn} PIN,
0.25A FOR OTHER PINS.
- CONTACT RESISTANCE : 40mΩ.
- INSULATION RESISTANCE : 1000MΩ MIN.
- DIELECTRIC WITHSTANDING VOLTAGE : 500 VAC MIN.
- OPERATING TEMPERATURE : -40°C TO +85°C.
- MATING FORCE : 5~20N.
- UNMATING FORCE : 8~20N.
- DURABILITY : 10,000 CYCLES.
- RECOMMENDED PROCESS :

THE PEAK TEMPERATURE ON THE BOARD SHALL MAINTAIN 260°C.

2UB1186-72X02-23A

1: G/F 6: 3u" 5: 30u"

ITEM	DESCRIPTION	Q'TY	MATERIAL	FINISH	REMARK
5	TERMINAL	24	COPPER ALLOY	MATING SIDE: Au 30u"MIN; SOLDER TAIL: Gold FLASH, 50u" NICKEL OVERALL.	T=0.12
4	OUT SHELL	1	STAINLESS STEEL	NICKEL PLATING	T=0.30
3	MAIN SHELL	1	STAINLESS STEEL	NICKEL PLATING	T=0.30
2	MID PLATE	1	STAINLESS STEEL	NICKEL PLATING	T=0.15
1	MAIN HOUSING	1	LCP E130i		BLACK UL94V-0

BILL OF MATERIAL

TOLERANCES UNLESS OTHERWISE SPECIFIED	
UNIT	(MM)
X.	±0.50
X.X	±0.30
X.XX	±0.20
X.XXX	±0.10
ANGEL	±2'

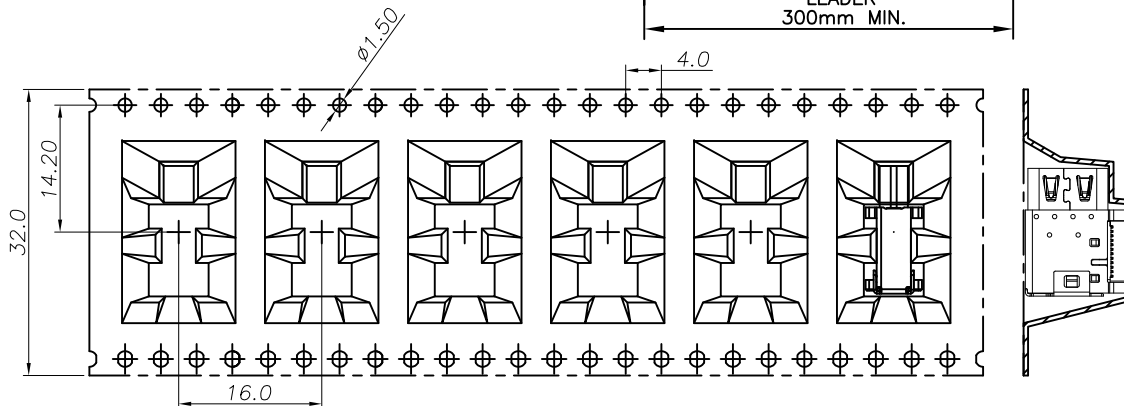
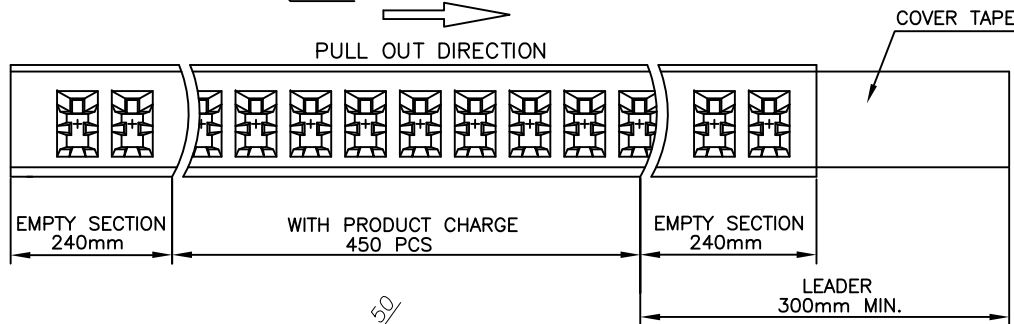
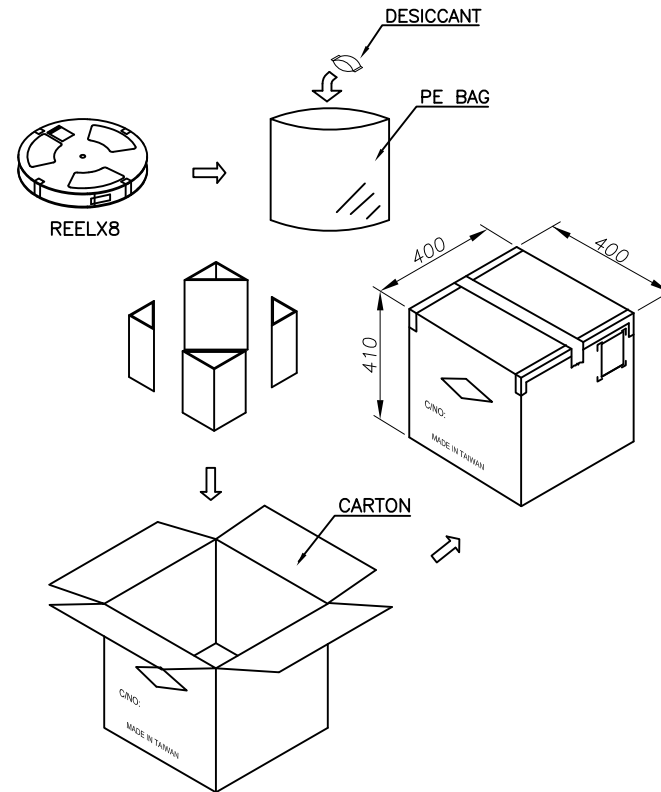
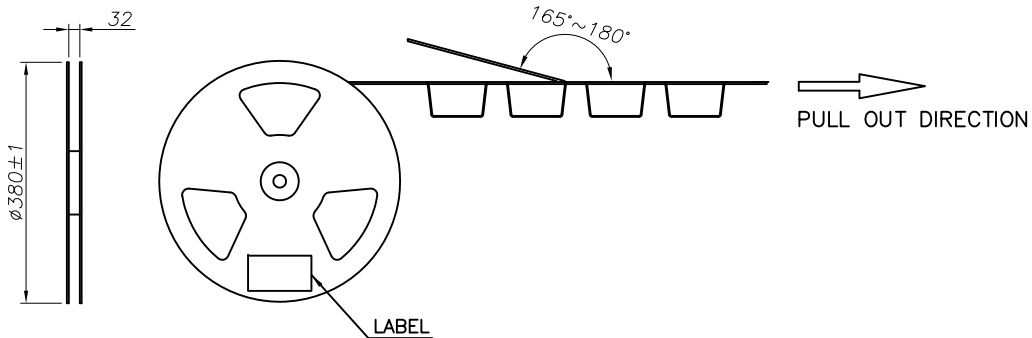
Singatron Enterprise Co., Ltd.

TITLE	USB 3.2 Type C 母座 双壳 SMT			
DWN	GAORUI	PART NO.	2UB1186-72X02-23A	
CHKD	2020.12.15	SCALE 1:1	UNIT: mm	
APVD	CC.FENG	SIZE: A3	SHEET: 1 OF 2	REV: A
CUSTOMER COPY				

REV.	DESCRIPTION	ECN NO.	DWN.	CHK.	APVD.	DATE
A	NEW DRAWING		GAORUI	GAORUI	CC.FENG	2020.12.15



RoHS Compliant HSF
2013/95/EC



450	8	3600	-- KG	-- KG
PCS/ REEL	REELS/ CARTON	QUANTITY	GROSS WEIGHT	NET WEIGHT

PACKAGE

1. SIZE :
REEL : $\phi 380 \times 32$ mm
CARTON : 400 x 400 x 410 mm (LxWxH)
2. QUANTITY :
450 PCS / REEL
8 REEL / CARTON = 3,600 PCS

A	NEW DRAWING		GAORUI	GAORUI	CC.FENG	2020.12.15
REV.	DESCRIPTION	ECN NO.	DWN.	CHK.	APVD.	DATE

TOLERANCES UNLESS OTHERWISE SPECIFIED	
UNIT	(MM)
X.	± 0.50
X.X	± 0.30
X.XX	± 0.20
X.XXX	± 0.10
ANGEL	$\pm 2'$

Singatron Enterprise Co., Ltd.

TITLE	USB 3.2 Type C 母座 双壳 SMT			
DWN	GAORUI	PART NO.	2UB1186-72X02-23A	
CHKD	2020.12.15	SCALE 1:1	UNIT: mm	
APVD	CC.FENG	SIZE: A3	SHEET: 2 OF 2	REV: A

CUSTOMER COPY