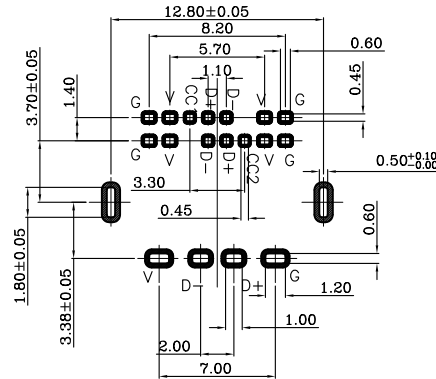
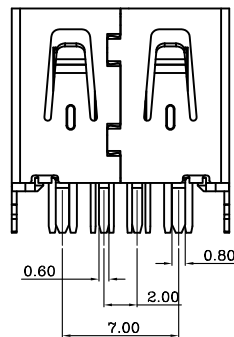
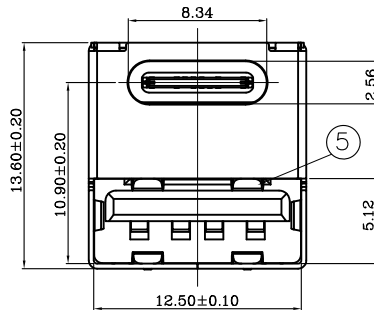
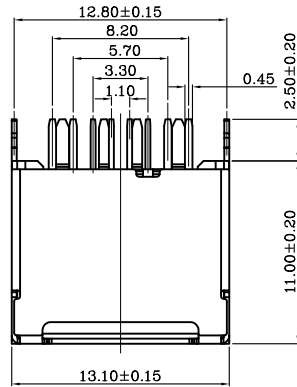
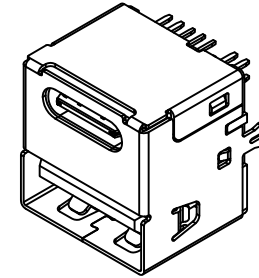
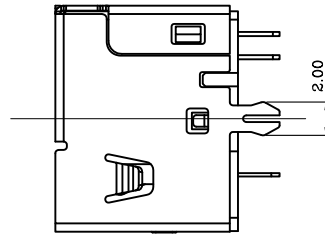




RoHS Compliant HSF
2013/95/EC



Recommended P.C.B Layout
Tolerance: ±0.05



1. MATERIAL:
MOLDING: LCP UL94 V-0
CONTACT: COPPER ALLOY.
GOLD PLATED ON CONTACT AREA, 100u"
Min TIN (LEAD FREE) ON SOLDER AREA,
SHELL: C2680-H,T=0.30±0.03mm
50u" NICKEL PLATING OVER ALL.

2. MECHANICAL:
INSERTION: 5~20N.
EXTRACTION: 8~20N.
DURABILITY: 5000 CYCLES

3. ELECTRICAL:
CURRENT: 3A MIN FOR VBUS;

VOLTAGE: 5VAC MAX
WITHSTANDING VOLTAGE: 100V AC.
CONTACT RESISTANCE: 40mΩ MAX.
INSULATION RESISTANCE: 100MΩ MIN.

4. ENVIRONMENTAL
TEMPERATURE RANGE -55°C ~ +85°C

5. PART NUMBER:
2UB1186-81X04-X3A

1: Tray 2: Tape reel
1: G/F 2: 5u" 3: 10u" 4: 15u" 5: 30u"

Singatron Enterprise Co., Ltd.

TOLERANCES UNLESS OTHERWISE SPECIFIED

UNIT	(MM)
X.	±0.50
X.X	±0.30
X.XX	±0.20
X.XXX	±0.10
ANGEL	±2'

TITLE	TYPE C母座14PIN与USB 2.0母单面插二合一		
DWN	Leiny	PART NO.	2UB1186-81X04-23A
CHKD	2019.02.20	SCALE 1:1	UNIT: mm
APVD		SIZE: A3	SHEET: 1 OF 1 REV: A

CUSTOMER COPY

REV.	DESCRIPTION	ECN NO.	Leiny	Rain	DC	2019.02.20
			DWN.	CHK.	APVD.	DATE