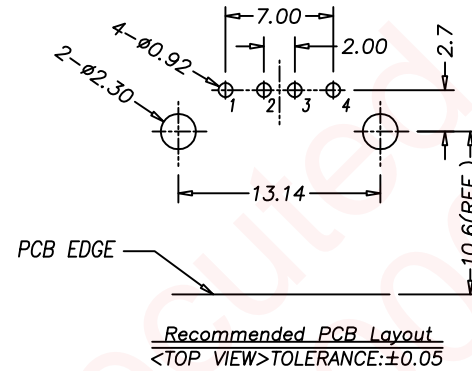
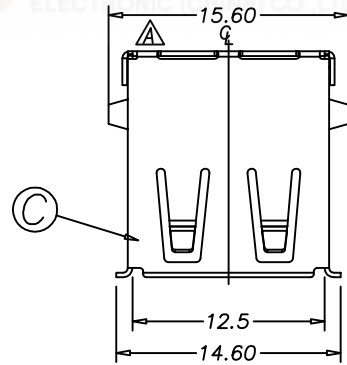


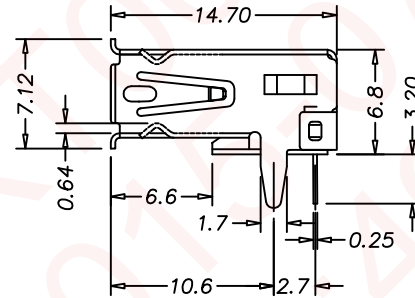
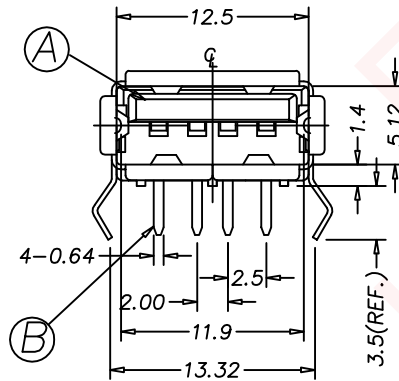


REV.	ECN NO OR DESCRIPTION	REVISED	DATE
A	ECN NO.L110078 Delete:2UB1504-000101 2UB1504-0001X1 — 2UB1504-000111 ECN NO.L120033	IVY-C	2012.04.18
B	ECN NO.L150076	IVY-C	2015.07.16



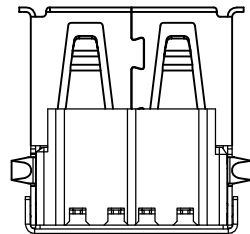
**SPECIFICATIONS:**

- SEE 2UB1504 SERIES SPECIFICATIONS.
- SOLDER HEAT RESISTANCE : WAVE SOLDERING 260°C 10 SECS.
- TO CONFORM TO SINGATRON HAZARDOUS SUBSTANCE FREE SPEC.
- GREEN PRODUCT IDENTIFICATION LABEL IN PACKING: **G.P. PASS**
- FOR WAVE SOLDERING LEAD-FREE PROCESS.
- PACKAGE : SEE "2UB1504-000111" PACKAGE.



**2UB1504-000111**

- PACKAGE
- 1: TRAY
- BODY COLOR
- 1: BLACK
- CONTACT PLATING
- 1: GOLD FLASH PLATED ON CONTACT AREA
- TIN PLATED ON SOLDER AREA



C	SHELL	1	COPPER ALLOY 0.3t	NICKEL PLATING
B	TERMINAL	4	COPPER ALLOY 0.25t	SEE DRAWING
A	HOUSING	1	PA9T UL 94V-0 $\Delta$	SEE DRAWING
NO	DESCRIPTION	QTY	MATERIAL	PLATING & COLOR
UNLESS OTHERWISE SPECIFIED TOLERANCES			Singatron Enterprise Co., Ltd. 信音企業股份有限公司	
DECIMALS:		TITLE		
X	:±0.5	USB A Type Receptacle, Right Angle, through Hole Solder Tail & Shell-Kinked		
X.X	:±0.3	DWN	IVY-C 2015.07.16	<b>PART NO.2UB1504-000111</b>
X.XX	:±0.2	CHKD	INCELA 2015.07.16	SCALE:N/A UNIT: mm
		APVD	INCELA 2015.07.16	SIZE: A3 SHEET: 1 OF 1 <b>REV: B</b>
<b>CUSTOMER COPY</b>				