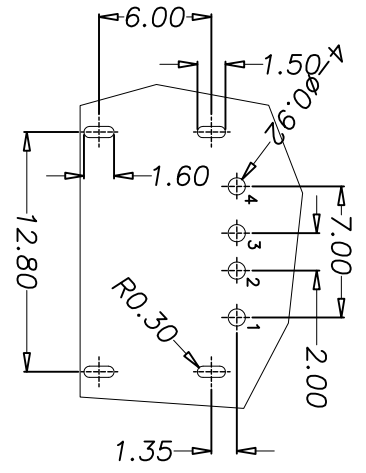
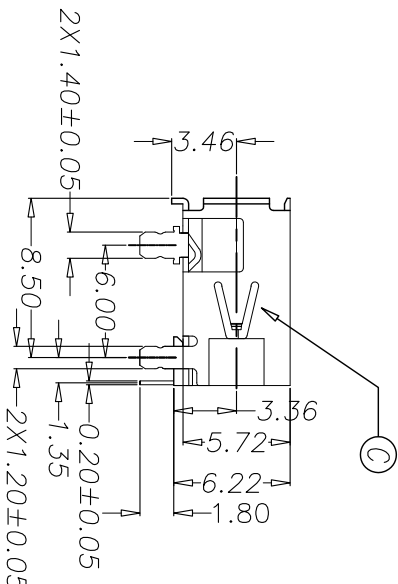
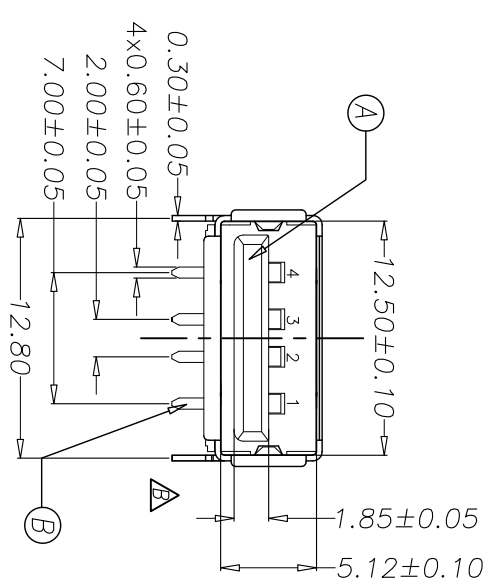
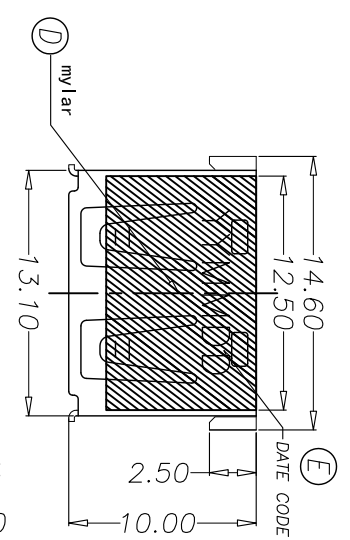


REV.	ECN NO.	OR DESCRIPTION	REVISED	DATE
A	PDR RELEASE		NY-C	2011.03.10
B	ECN NO: L160063		NY-C	2016.05.19

**SPECIFICATIONS:**

- ELECTRICAL CHARACTERISTICS:**
  - RATING: 1.5A, 30V.
  - CONTACT RESISTANCE: 30mΩ MAX.
  - INSULATION RESISTANCE: 1000MΩ MIN. @ 500V DC.
  - DIELECTRIC WITHSTANDING VOLTAGE: 500V AC FOR 1 MINUTE.
- MECHANICAL CHARACTERISTICS:**
  - INSERTION FORCE: 35N MAX.
  - WITHDRAWAL FORCE: 10N MIN.
- LIFE TEST: 5,000 CYCLES MIN.
- OPERATING TEMPERATURE: -55°C TO +85°C.
- OTHER GENERAL SPEC. TO REFER "2UB1557 SERIES SPEC".
- TO CONFORM TO THE SINGATRON HAZARDOUS SUBSTANCE FREE SPEC.
- HALOGEN FREE PRODUCT IDENTIFICATION LABEL ON PACKAGING.
- PACKAGE: SEE "2UB1557 SERIES" PACKAGE.
- FOR REFLOW SOLDERING LEAD-FREE PROCESS.



RECOMMENDED P.C.B. LAYOUT (COMPONENT SIDE)  
TOLERANCE: ±0.05

**PART NO.**  
**2UB1557-000111F**

SUFFIX: HALOGEN FREE  
PACKAGE  
1: TAPE AND REEL  
HOUSING COLOR  
1: BLACK  
CONTACT PLATING  
1: GOLD FLASH ON CONTACT AREA,  
TIN ON SOLDER AREA

E	INK		BLACK
D	MYLAR	1	KAPTON FILM
C	SHELL	1	STAINLESS STEEL
B	CONTACT	4	COPPER ALLOY
A	HOUSING	1	HIGH TEMP. THERMOPLASTIC UL 94V-0
NO	DESCRIPTION		MATERIAL
UNLESS OTHERWISE SPECIFIED TOLERANCES			
Singatron Enterprise Co., Ltd. 信音企業股份有限公司			
TITLE: USB A TYPE FEMALE, REVERSE, R/A, SHORT BODY			
DWG: NY-C-2016.05.19			
CHKD: ANZHA 2016.05.19			
APVD: ANZHA 2016.05.19			
PART NO. 2UB1557-000111F			
SCALE 1:1			
UNIT: mm			
SIZE: A3			
SHEET: 1 OF 1			
REV: B			

CUSTOMER COPY