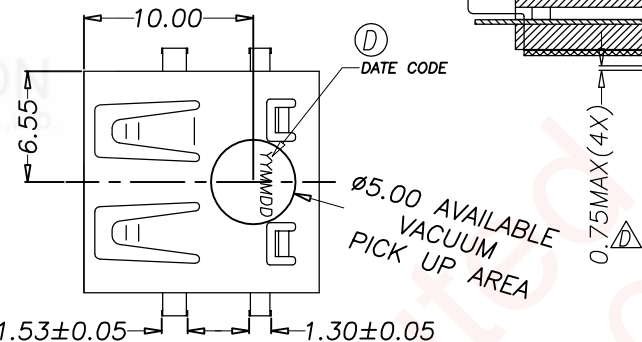
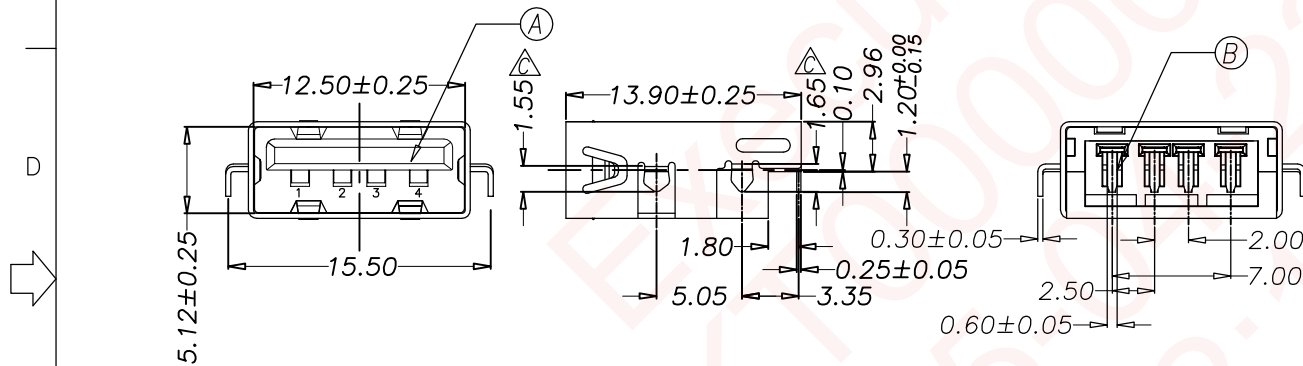


REV.	ECN NO OR DESCRIPTION	REVISED	DATE
A	PDR RELEASE	IVY-C	2011.04.06
B	ECN NO:L110081	IVY-C	2011.08.05
C	ECN NO:L110157	IVY-C	2011.12.29
D	ECN NO:L150058	IVY-C	2015.04.21



- SPECIFICATIONS:**
- ELECTRICAL CHARACTERISTICS:**
    - 1-1. RATING: 1.5A; 30V.
    - 1-2. CONTACT RESISTANCE: 30mΩ MAX.
    - 1-3. INSULATION RESISTANCE: 1000MΩ MIN. @ 500V DC.
    - 1-4. DIELECTRIC WITHSTANDING VOLTAGE: 500V AC FOR 1 MINUTE.
  - MECHANICAL CHARACTERISTICS:**
    - 2-1. INSERTION FORCE: 35N MAX.
    - 2-2. WITHDRAWAL FORCE: 10N MIN.
  - LIFE TEST:** 5,000 CYCLES MIN.
  - OPERATING TEMPERATURE:** -55°C TO +85°C.
  - OTHER GENERAL SPEC.** TO REFER "2UB1561 SERIES SPEC".
  - TO CONFORM TO THE SINGATRON HAZARDOUS SUBSTANCE FREE SPEC.**
  - HALOGEN FREE PRODUCT IDENTIFICATION LABEL ON PACKAGING:**
  - PACKAGE:** SEE "2UB1561 SERIES" PACKAGE.
  - FOR REFLOW SOLDERING LEAD-FREE PROCESS.**



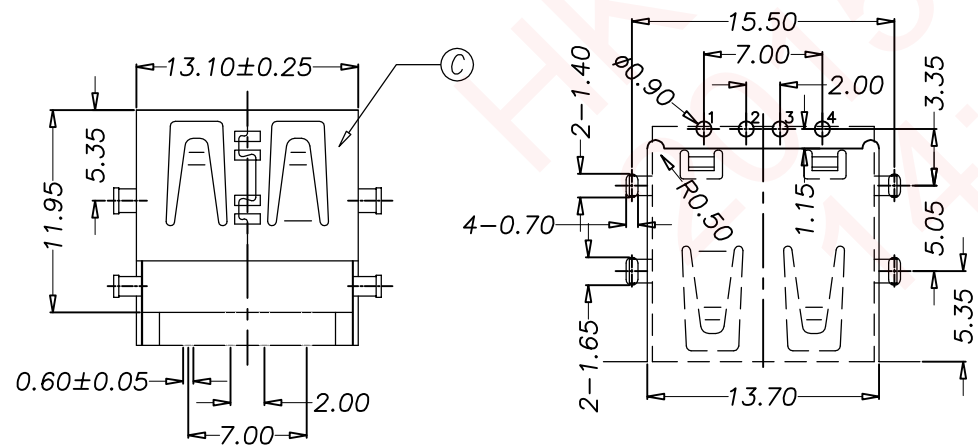
**PART NO.**  
**2UB1561-000111F**

SUFFIX: HALOGEN FREE

PACKAGE  
1: TAPE AND REEL

HOUSING COLOR  
1: BLACK

CONTACT PLATING  
1: 20u" GOLD PLATING ON CONTACT AREA,  
120u" Sn PLATING ON SOLDER AREA  
50u" Ni UNSERPLATING OVERALL



**RECOMMENDED PCB LAYOUT (COMPONENT SIDE)**  
**TOLERANCE: ±0.05mm PCB THICKNESS 1.20mm**

NO	DESCRIPTION	QTY	MATERIAL	PLATING & COLOR
D	INK			BLACK
C	SHELL	1	STAINLESS STEEL	NICKEL PLATED
B	CONTACT	4	COPPER ALLOY	SEE PART NO.
A	HOUSING	1	HIGH TEMP. THERMOPLASTIC UL 94V-0	BLACK

UNLESS OTHERWISE SPECIFIED TOLERANCES		Singatron Enterprise Co., Ltd. 信音企業股份有限公司	
DECIMALS:	ANGLES:	TITLE	USB A TYPE FEMALE, R/A, DIP, SINKING
X : ±0.5	X : ±2°	DWN	IVY-C 2015.04.21 <b>PART NO. 2UB1561-000111F</b>
X.X : ±0.3	X.X : ±1°	CHKD	ANGELA 2015.04.21 SCALE 1:1 UNIT: mm
X.XX : ±0.2		APVD	ANGELA 2015.04.21 SIZE: A3 SHEET: 1 OF 1 <b>REV: D</b>
<b>CUSTOMER COPY</b>			