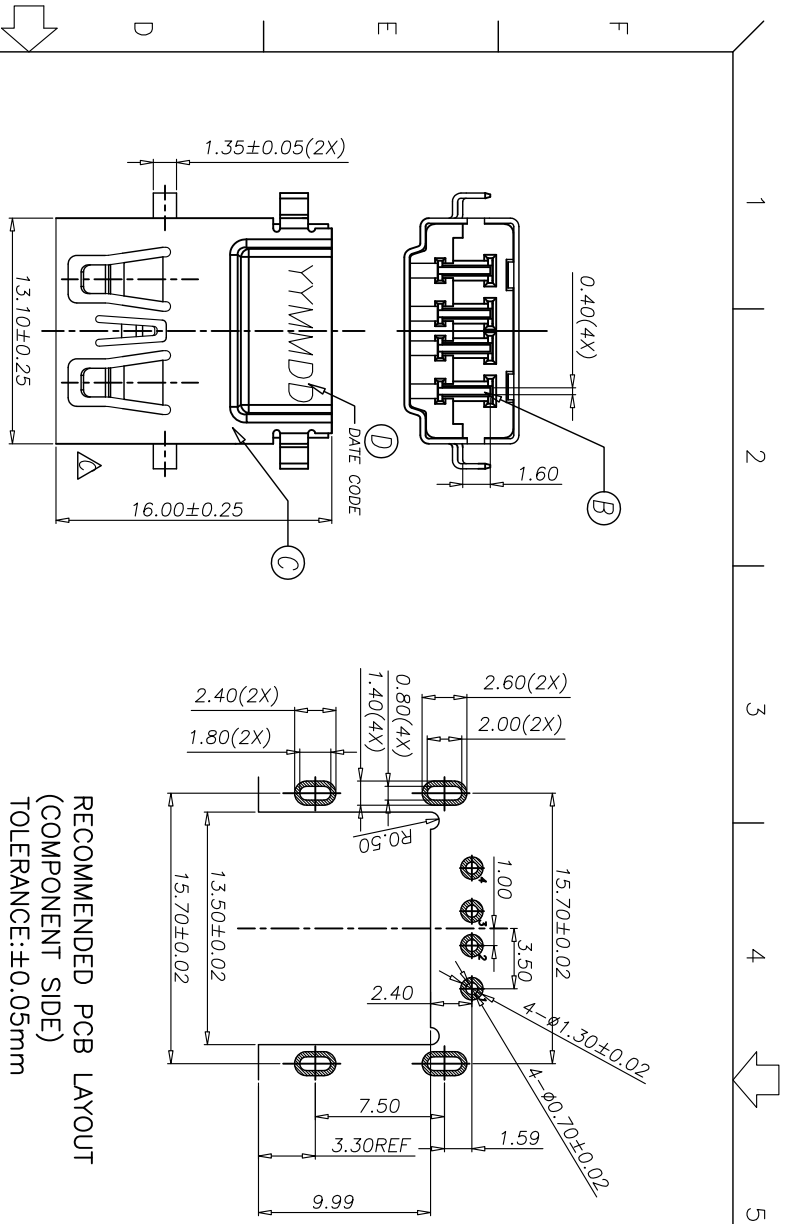


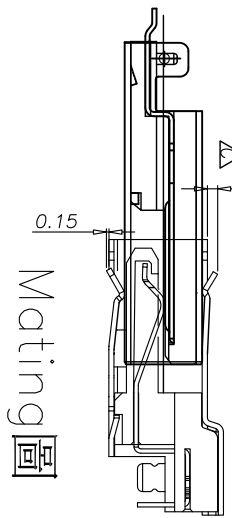
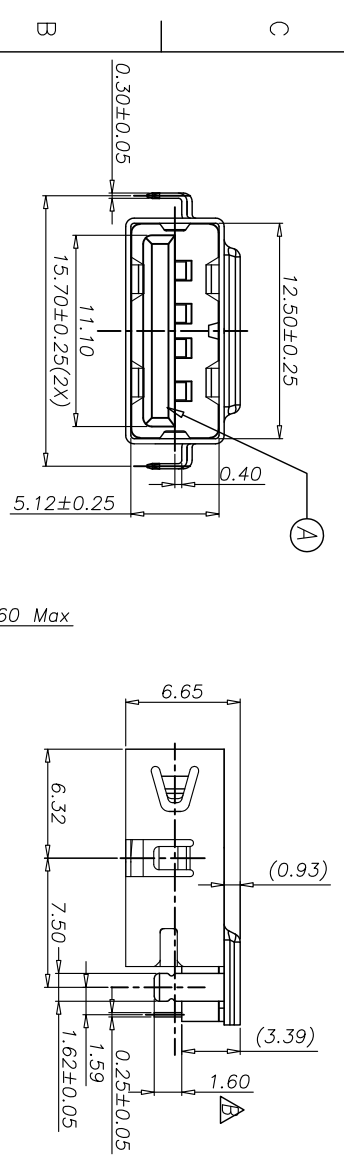
REV.	ECN NO.	OR DESCRIPTION	REVISED	DATE
A	PDR	RELEASE	NY-C	2011.04.19
B	ECN NO.:	L120089	NY-C	2012.08.06
C	ECN NO.:	L140004/19	NY-C	2014.04.07

SPECIFICATIONS:

- ELECTRICAL CHARACTERISTICS:
 - RATING: 1.5A; 30V.
 - CONTACT RESISTANCE: 30mΩ MAX.
 - INSULATION RESISTANCE: 1000MΩ MIN. @ 500V DC.
 - DIELECTRIC WITHSTANDING VOLTAGE: 500V AC FOR 1 MINUTE.
- MECHANICAL CHARACTERISTICS:
 - INSERTION FORCE: 35N MAX.
 - WITHDRAWAL FORCE: 10N MIN.
- LIFE TEST: 5,000 CYCLES MIN.
- OPERATING TEMPERATURE: -55°C TO +85°C.
- OTHER GENERAL SPEC. TO REFER "2UB1563 SERIES SPEC".
- TO CONFORM TO THE SINGATRON HAZARDOUS SUBSTANCE FREE SPEC.
- HALOGEN FREE PRODUCT IDENTIFICATION LABEL ON PACKAGING.
- PACKAGE: SEE "2UB1563 SERIES" PACKAGE.
- FOR REFLOW SOLDERING LEAD-FREE PROCESS.



**RECOMMENDED PCB LAYOUT
(COMPONENT SIDE)
TOLERANCE: ±0.05mm**



- PART NO.**
2UB1563-000111F
- SUFFIX: HALOGEN FREE
 - PACKAGE: 1: TAPE AND REEL
 - HOUSING COLOR: 1: BLACK
 - CONTACT PLATING: 1: GOLD FLASH ON CONTACT AREA, 120U" MATTE TIN ON SOLDER AREA, 50U" Ni UNSERPLATING OVERALL

D	INK	1	STAINLESS STEEL	BLACK
C	SHELL	1	STAINLESS STEEL	NICKEL PLATED
B	CONTACT	4	COPPER ALLOY	SEE PART NO.
A	HOUSING	1	HIGH TEMP. THERMOPLASTIC UL 94V-0	BLACK
NO	DESCRIPTION	QTY	MATERIAL	PLATING & COLOR



Singatron Enterprise Co., Ltd.
信音企業股份有限公司

DECIMALS:	ANGLES:	TITLE	USB A TYPE FEMALE, R/A, REVERSE, SINKING
X : ±0.5	X : ±2°	DWN	NY-C 2014/07
X.X : ±0.3	X.X : ±1°	CHKD	SCALE 1:1 UNIT: mm
X.XX : ±0.2		APVD	AMEGA 2014/07 SIZE: A3 SHEET: 1 OF 1 REV: C

CUSTOMER COPY