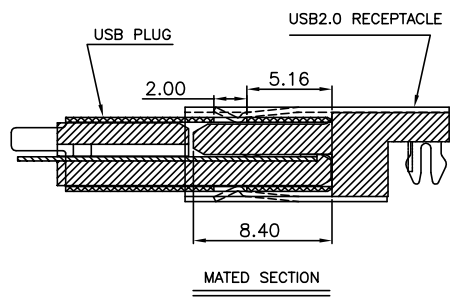
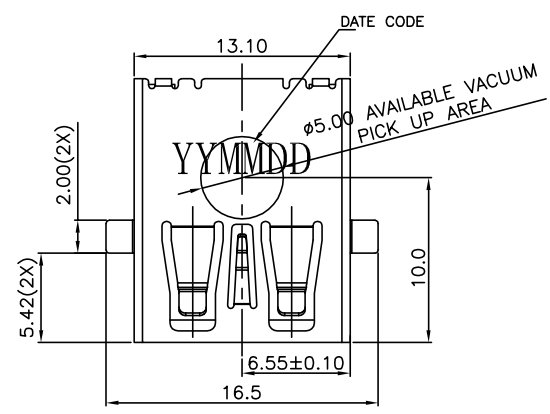
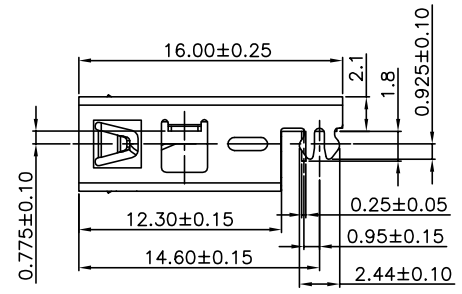
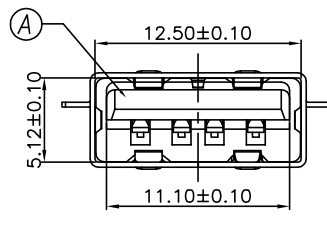


REV.	ECN NO OR DESCRIPTION	REVISED	DATE
A	PDR RELEASE	EVEN	2018.03.21



SPECIFICATIONS:

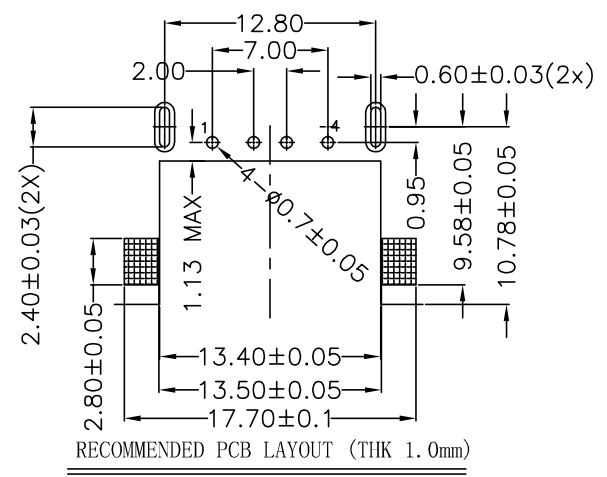
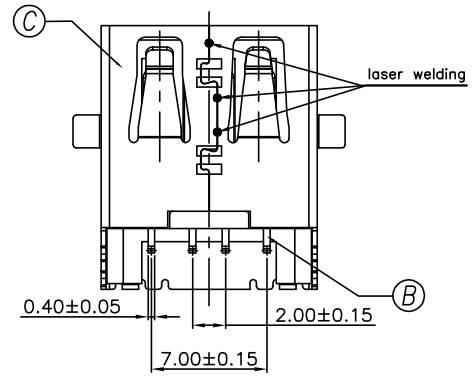
- ELECTRICAL CHARACTERISTICS:**
 - 1-1. RATING: 1.5A; 30V.
 - 1-2. CONTACT RESISTANCE: 30mΩ MAX.
 - 1-3. INSULATION RESISTANCE: 1000MΩ MIN.
 - 1-4. DIELECTRIC WITHSTANDING VOLTAGE: 500V AC FOR 1 MINUTE.
- MECHANICAL CHARACTERISTICS:**
 - 2-1. INSERTION FORCE: 3.57Kgf MAX.
 - 2-2. WITHDRAWAL FORCE: 0.8~2.5Kgf.
- LIFE TEST:** 5,000 CYCLES MIN.
- OPERATING TEMPERATURE:** -55°C TO +85°C.
- OTHER GENERAL SPEC. TO REFER "2UB1569-011111F SPEC".**
- TO CONFORM TO THE SINGATRON HAZARDOUS SUBSTANCE FREE SPEC.**
- HALOGEN FREE PRODUCT IDENTIFICATION LABEL ON PACKAGING:**
- PACKAGE:** SEE "2UB1569-011111F" PACKAGE.
- FOR REFLOW SOLDERING LEAD-FREE PROCESS.**



PART NO.

2UB1569-011111F

- SHELL TALL LENGTH: 1: 0.925mm
- SUFFIX: HALOGEN FREE
- PACKAGE: 1: TAPE AND REEL
- HOUSING COLOR: 1: BLACK
- CONTACT PLATING: 1: GOLD FLASH ON CONTACT AREA, 120u" Sn PLATING ON SOLDER AREA, 50u" Ni UNDERPLATED OVERALL



C	SHELL	1	SUS 301	60u" MIN. NICKEL
B	CONTACT	4	C5191	SEE PART NO.
A	HOUSING	1	LCP+30%GF, UL94V-0	BLACK
NO	DESCRIPTION	QTY	MATERIAL	PLATING & COLOR
UNLESS OTHERWISE SPECIFIED TOLERANCES		Singatron Enterprise Co., Ltd. 信音企業股份有限公司		
DECIMALS:	ANGLES:	TITLE USB A TYPE FEMALE, R/A, DIP, SINKING		
X :±0.5	X :±2°	DWN	EVEN 2018.03.21	PART NO. 2UB1569-011111F
X.X :±0.3	X.X :±1°	CHKD	ANGELA2018.03.21	SCALE 1:1 UNIT: mm
X.XX :±0.2		APVD	ANGELA2018.03.21	SIZE: A3 SHEET:1 OF 1 REV:A
CUSTOMER COPY				