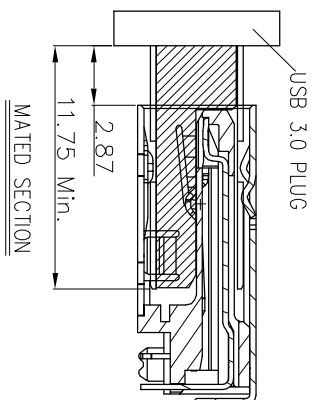
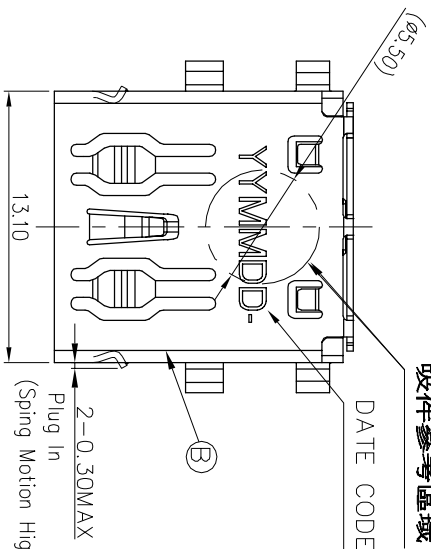


REV.	ECN NO. OR DESCRIPTION	REVISED	DATE
A	PDR NO.1180629-24/B	Springwu	2019.9.12

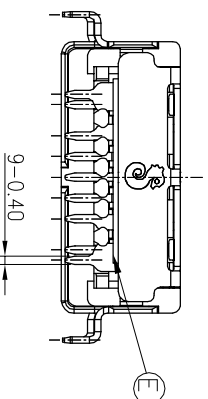
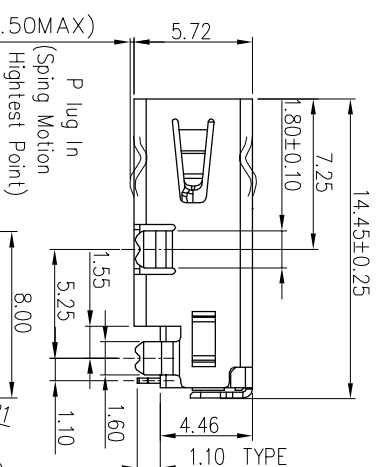
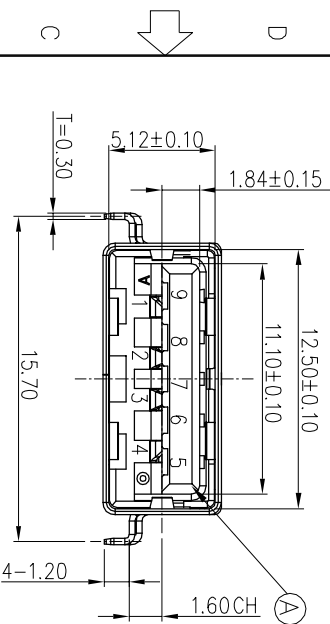
吸件參考區域

DATE CODE



SPECIFICATIONS:

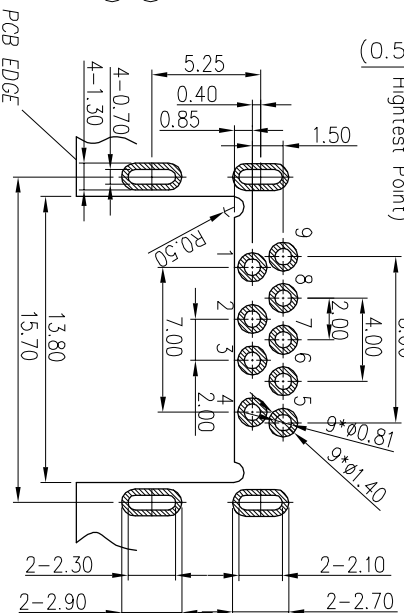
- ELECTRICAL CHARACTERISTICS:
  - CURRENT RATING: 1.8A (PIN1,4) ; OTHER CONTACTS 0.25A MIN
  - CONTACT RESISTANCE: 30mΩ MAX.
  - DIELECTRIC WITHSTANDING VOLTAGE: 100V AC FOR 1 MINUTE
  - INSULATION RESISTANCE: 100MΩ MIN
- MECHANICAL CHARACTERISTICS:
  - INSERTION FORCE : 3.5 Kgf MAX.
  - WITHDRAWAL FORCE : 1.0~3.5 Kgf And 8N MIN AFTER TEST
- DURABILITY: 5,000 CYCLES.
- TO CONFORM TO SINGATRON HAZARDOUS SUBSTANCE FREE SPEC.
- HALOGEN PRODUCT IDENTIFICATION LABEL ON PACKAGING.
- FOR REFLOW SOLDERING LEAD-FREE PROCESS.
- DATE : YMMDD
- PACKAGING : TAPE & REEL.



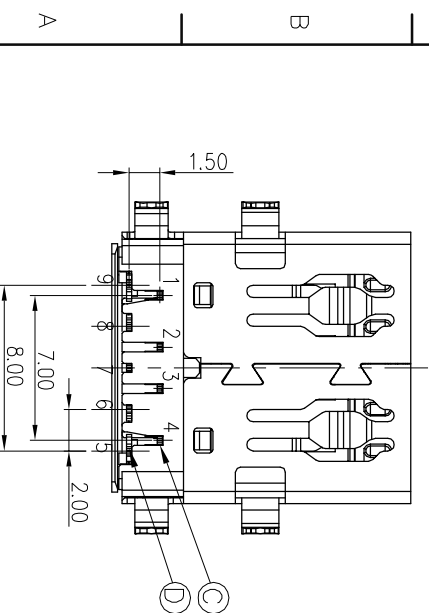
PART NO.  
2UB1585-0011X1P

- 1: 30U7AU PLATING ON CONTACT AREA;
- 2: GOLD FLASH PLATING ON CONTACT AREA;

Pin Number	Signal ASSIGNMENT
PIN 1	VBUS
PIN 2	D-
PIN 3	D+
PIN 4	GND
PIN 5	SDA SSRX-
PIN 6	SDA SSRX+
PIN 7	GND DRAIN
PIN 8	SDA SSTX-
PIN 9	SDA SSTX+



RECOMMENDED PC BOARD LAYOUT  
PCB THICKNESS=1.20mm (TOP VIEW)(TOL.±0.05)



DECIMALS:	ANGLES:	TITLE	USB 3.0 CONNECTOR H=1.60
X : ±0.5	X : ±2°	DWG	Springwu
X.X : ±0.3	X.X : ±1°	CHKD	James
X.XX : ±0.2		APVD	Boye

信亨企業股份有限公司  
Singatron Enterprise Co., Ltd.

PART NO.2UB1585-0011X1P  
SCALE 4:1 UNIT: mm  
SHEET: 1 OF 1 REV: A  
CUSTOMER COPY