
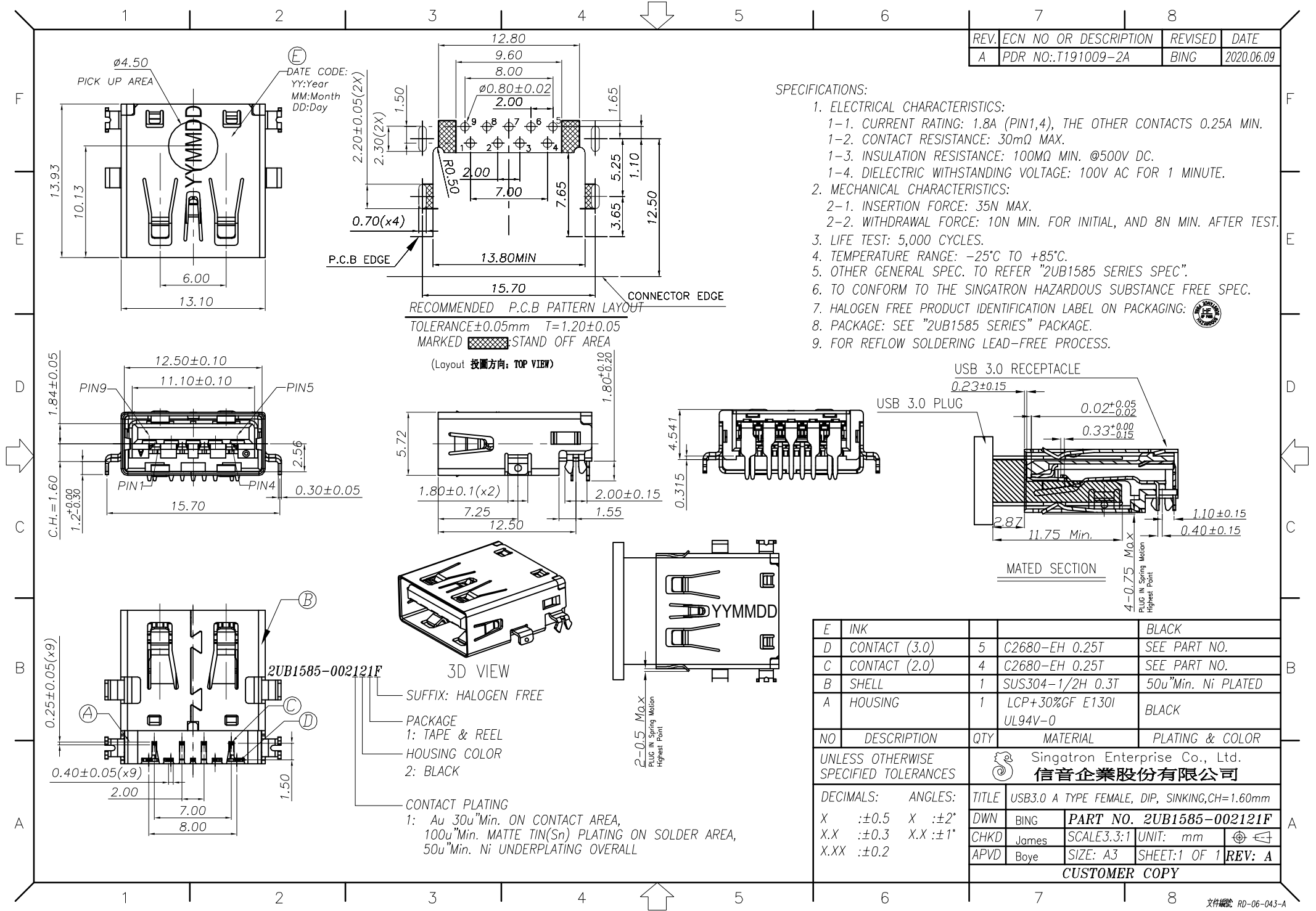



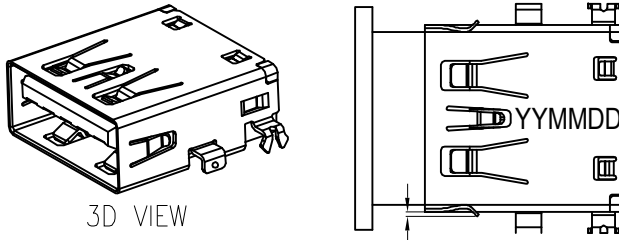
REV.	ECN NO OR DESCRIPTION	REVISED	DATE
A	PDR NO.:T191009-2A	BING	2020.06.09

SPECIFICATIONS:

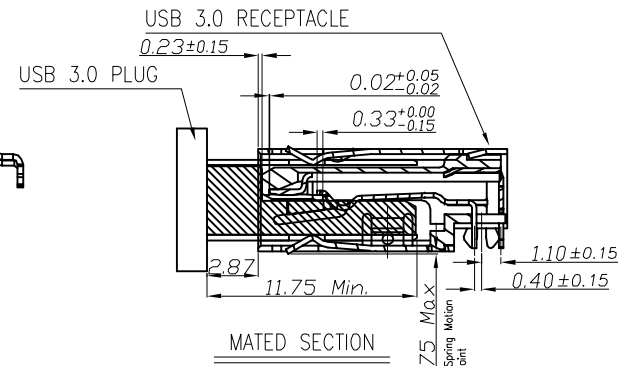
- ELECTRICAL CHARACTERISTICS:
  - CURRENT RATING: 1.8A (PIN1,4), THE OTHER CONTACTS 0.25A MIN.
  - CONTACT RESISTANCE: 30mΩ MAX.
  - INSULATION RESISTANCE: 100MΩ MIN. @500V DC.
  - DIELECTRIC WITHSTANDING VOLTAGE: 100V AC FOR 1 MINUTE.
- MECHANICAL CHARACTERISTICS:
  - INSERTION FORCE: 35N MAX.
  - WITHDRAWAL FORCE: 10N MIN. FOR INITIAL, AND 8N MIN. AFTER TEST.
- LIFE TEST: 5,000 CYCLES.
- TEMPERATURE RANGE: -25°C TO +85°C.
- OTHER GENERAL SPEC. TO REFER "2UB1585 SERIES SPEC".
- TO CONFORM TO THE SINGATRON HAZARDOUS SUBSTANCE FREE SPEC.
- HALOGEN FREE PRODUCT IDENTIFICATION LABEL ON PACKAGING: 
- PACKAGE: SEE "2UB1585 SERIES" PACKAGE.
- FOR REFLOW SOLDERING LEAD-FREE PROCESS.




RECOMMENDED P.C.B. PATTERN LAYOUT  
 TOLERANCE ±0.05mm T=1.20±0.05  
 MARKED  STAND OFF AREA  
 (Layout 投圖方向: TOP VIEW)



3D VIEW  
 SUFFIX: HALOGEN FREE  
 PACKAGE  
 1: TAPE & REEL  
 HOUSING COLOR  
 2: BLACK  
 CONTACT PLATING  
 1: Au 30u"Min. ON CONTACT AREA,  
 100u"Min. MATTE TIN(Sn) PLATING ON SOLDER AREA,  
 50u"Min. Ni UNDERPLATING OVERALL



E	INK			BLACK
D	CONTACT (3.0)	5	C2680-EH 0.25T	SEE PART NO.
C	CONTACT (2.0)	4	C2680-EH 0.25T	SEE PART NO.
B	SHELL	1	SUS304-1/2H 0.3T	50u"Min. Ni PLATED
A	HOUSING	1	LCP+30%GF E130I UL94V-0	BLACK

NO	DESCRIPTION	QTY	MATERIAL	PLATING & COLOR
UNLESS OTHERWISE SPECIFIED TOLERANCES				
			 Singatron Enterprise Co., Ltd. 信音企業股份有限公司	
DECIMALS:		ANGLES:	TITLE USB3.0 A TYPE FEMALE, DIP, SINKING,CH=1.60mm	
X	:±0.5	X	:±2°	DWN BING PART NO. 2UB1585-002121F
X.X	:±0.3	X.X	:±1°	CHKD James SCALE3.3:1 UNIT: mm
X.XX	:±0.2			APVD Boye SIZE: A3 SHEET:1 OF 1 REV: A
CUSTOMER COPY				