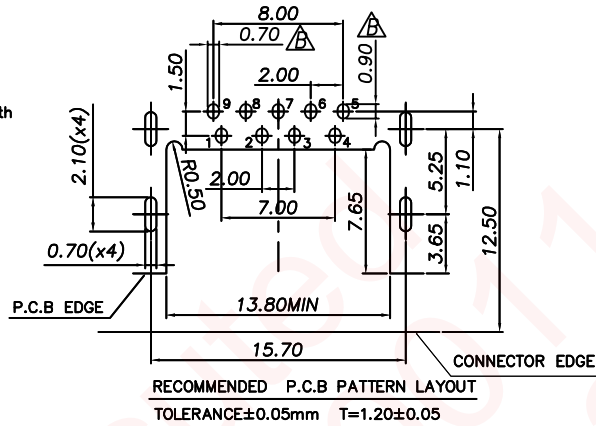
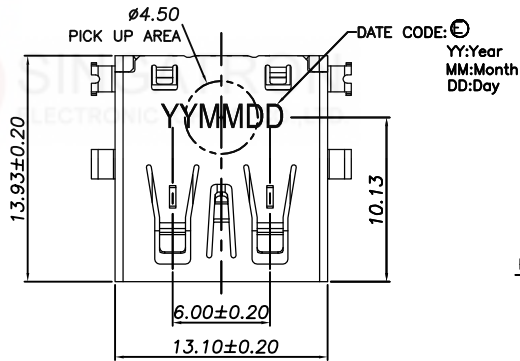
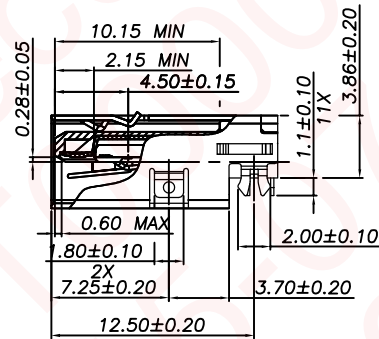
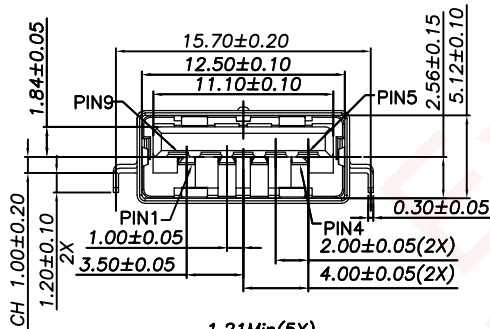


REV.	ECN NO OR DESCRIPTION	REVISED	DATE
A	PDR RELEASE	IVY-C	2014.04.17
B	ECN NO: L150087	IVY-C	2015.07.22



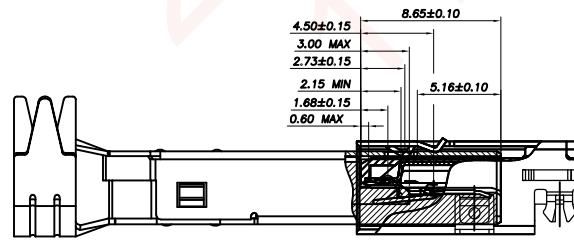
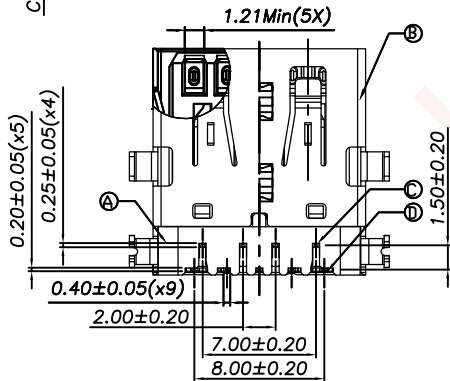
SPECIFICATIONS:

- ELECTRICAL CHARACTERISTICS:
 - CURRENT RATING: 1.8A (PIN1,4), THE OTHER CONTACTS 0.25A MIN.
 - CONTACT RESISTANCE: 30mΩ MAX.
 - INSULATION RESISTANCE: 100MΩ MIN. @500V DC.
 - DIELECTRIC WITHSTANDING VOLTAGE: 100V AC FOR 1 MINUTE.
- MECHANICAL CHARACTERISTICS:
 - INSERTION FORCE: 35N MAX.
 - WITHDRAWAL FORCE: 10N MIN. FOR INITIAL, AND 8N MIN. AFTER TEST.
- LIFE TEST: 5,000 CYCLES.
- TEMPERATURE RANGE: -25°C TO +85°C.
- OTHER GENERAL SPEC. TO REFER "2UB1585-200122F SPEC".
- TO CONFORM TO THE SINGATRON HAZARDOUS SUBSTANCE FREE SPEC.
- HALOGEN FREE PRODUCT IDENTIFICATION LABEL ON PACKAGING:
- PACKAGE: SEE "2UB1585-200122F" PACKAGE.
- FOR REFLOW SOLDERING LEAD-FREE PROCESS.



2UB1585-200122F

- SUFFIX: HALOGEN FREE
- PACKAGE: 2: TAPE & REEL (FOR QUANTA)
- HOUSING COLOR: 2: BLACK
- CONTACT PLATING:
 - 2u"Min. Au AND 30u"Min. Pd/Ni ON CONTACT AREA,
 - 100u"Min. MATTE TIN(Sn) PLATING ON SOLDER AREA,
 - 50u"Min. Ni UNDERPLATING OVERALL



MATING VIEW

E	INK			BLACK
D	CONTACT (3.0)	5	C2680	SEE PART NO.
C	CONTACT (2.0)	4	C2680	SEE PART NO.
B	SHELL	1	SUS 201	50u"Min. Ni PLATED
A	HOUSING	1	LCP UL 94V-0	BLACK
NO	DESCRIPTION	QTY	MATERIAL	PLATING & COLOR
UNLESS OTHERWISE SPECIFIED TOLERANCES			Singatron Enterprise Co., Ltd. 信音企業股份有限公司	
DECIMALS:		TITLE		
X	:±0.5	USB3.0 A TYPE FEMALE, DIP, SINKING, CH=1.00mm		
X.X	:±0.3	DWN		
X.XX	:±0.2	MY-C 2015.07.22 PART NO. 2UB1585-200122F CHKD ANGELA2015.07.22 SCALE 3.3:1 UNIT: mm APVD ANGELA2015.07.22 SIZE: A3 SHEET: 1 OF 1 REV: B		
CUSTOMER COPY				