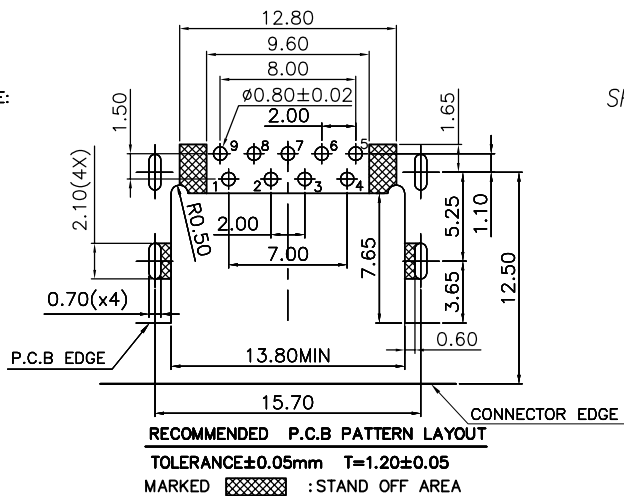
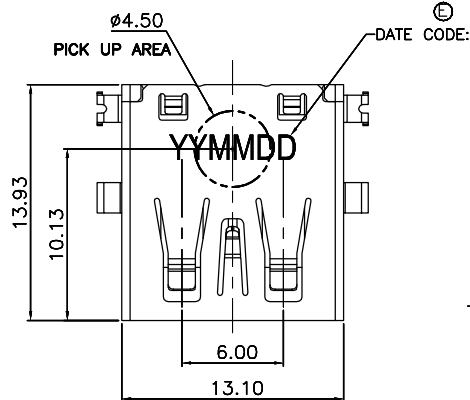


REV.	ECN NO OR DESCRIPTION	REVISED	DATE
A	PDR RELEASE	IVY-C	2015.01.21



**SPECIFICATIONS:**

- ELECTRICAL CHARACTERISTICS:**
  - RATING: 1.8A(PIN1,4), OTHER CONTACTS 0.25A.
  - CONTACT RESISTANCE: 30mΩ MAX
  - INSULATION RESISTANCE: 100MΩ MIN.
  - DIELECTRIC WITHSTANDING VOLTAGE: 100V AC FOR 1 MINUTE.
- MECHANICAL CHARACTERISTICS:**
  - INSERTION FORCE: 35N MAX.
  - WITHDRAWAL FORCE: 10N MIN FOR INITIAL; 5000 cycles 8N Min.
- LIFE TEST: 5,000 CYCLES MIN.
- OPERATING TEMPERATURE: -25°C TO +85°C.
- OTHER GENERAL SPEC. TO REFER "2UB1587-001111F SPEC".
- TO CONFORM TO THE SINGATRON HAZARDOUS SUBSTANCE FREE SPEC.
- HALOGEN FREE PRODUCT IDENTIFICATION LABEL ON PACKAGING:
- PACKAGE: SEE "2UB1587-001111F" PACKAGE.
- FOR REFLOW SOLDERING LEAD-FREE PROCESS.

**PART NO.**  
2UB1587-001111F

SUFFIX: HALOGEN FREE

PACKAGE

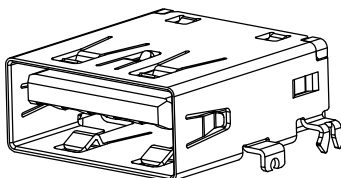
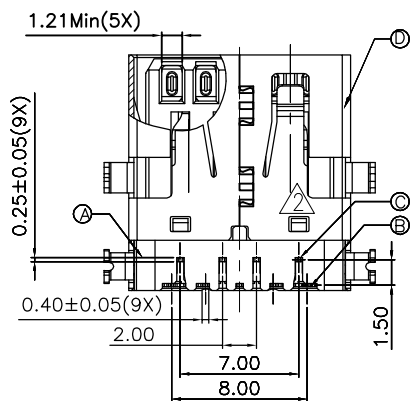
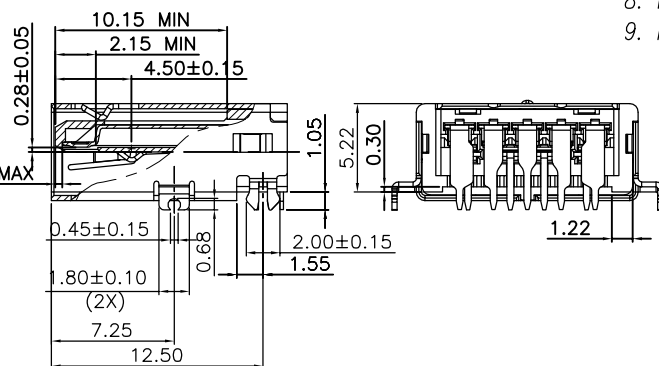
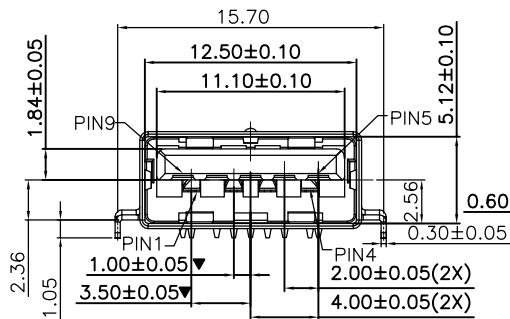
1: TAPE AND REEL

HOUSING COLOR

1: BLUE(300C)

CONTACT PLATING

1: 2u" GOLD AND 30u" Pd ON CONTACT AREA,  
100u" Matte Sn PLATING ON SOLDER AREA  
50u" Ni UNDERPLATED OVERALL



E	INK			BLACK
D	SHELL	1	SUS 201	NICKEL PLATED
C	4PIN TERMINAL	4	C2680-H	SEE PART NO.
B	5PIN TERNIAL	5	C2680-H	SEE PART NO.
A	HOUSING	1	PA10T UL 94V-0	BLUE(300C)
NO	DESCRIPTION	QTY	MATERIAL	PLATING & COLOR

UNLESS OTHERWISE SPECIFIED TOLERANCES



Singatron Enterprise Co., Ltd.  
信音企業股份有限公司

DECIMALS: ANGLES:

X :  $\pm 0.5$  X :  $\pm 2^\circ$   
X.X :  $\pm 0.3$  X.X :  $\pm 1^\circ$   
X.XX :  $\pm 0.2$

TITLE	USB3.0 A TYPE FEMALE, R/A, DIP, SINKING, CH=2.36		
DWN	IV-C 2015.01.21	PART NO.	2UB1587-001111F
CHKD	ANGELA 2015.01.21	SCALE	3.3:1
APVD	ANGELA 2015.01.21	UNIT:	mm
		SIZE:	A3
		SHEET:	1 OF 1
		REV:	A

CUSTOMER COPY