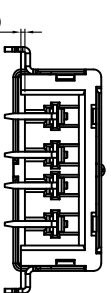
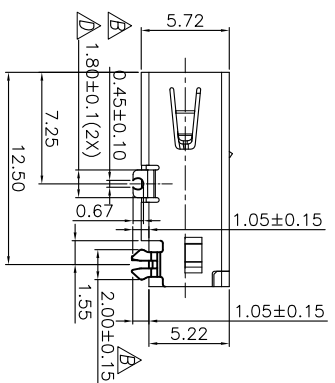
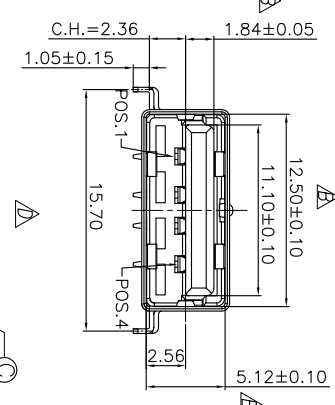


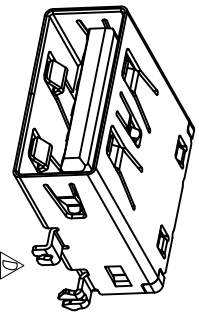
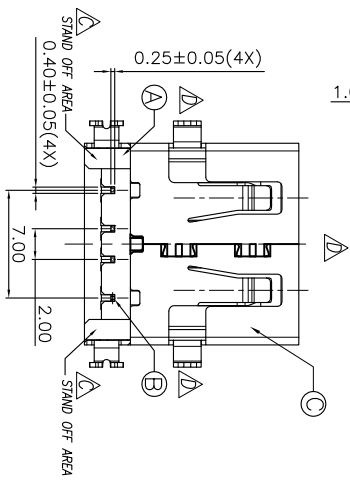
RECOMMENDED P.C.B. LAYOUT
 TOLERANCE: ±0.05mm T=1.20±0.05
 MARKED : STAND OFF AREA



PART NO.
 ZUB1588-000111F

SUFFIX: HALOGEN FREE
 PACKAGE
 1: TAPE AND REEL
 HOUSING COLOR
 1: BLACK

CONTACT PLATING
 1: 3u"Min. Au ON CONTACT AREA,
 100u"Min. MATTE TIN(Sn) PLATING ON SOLDER AREA,
 50u"Min. Ni UNDERPLATING OVERALL



SPECIFICATIONS:

- ELECTRICAL CHARACTERISTICS:
 - RATING: 1.5A; 30V.
 - CONTACT RESISTANCE: 30mΩ MAX.
 - INSULATION RESISTANCE: 1000MΩ MIN. @ 500V DC.
 - DIELECTRIC WITHSTANDING VOLTAGE: 500V AC FOR 1 MINUTE.
- MECHANICAL CHARACTERISTICS:
 - INSERTION FORCE: 35N MAX.
 - WITHDRAWAL FORCE: 10N MIN.
 - LIFE TEST: 5,000 CYCLES MIN.
 - OPERATING TEMPERATURE: -25°C TO +85°C.
 - OTHER GENERAL SPEC. TO REFER "ZUB1588 SERIES SPEC".
 - TO CONFORM TO THE SINGATRON HAZARDOUS SUBSTANCE FREE SPEC.
 - HALOGEN FREE PRODUCT IDENTIFICATION LABEL ON PACKAGING.
 - PACKAGE: SEE "ZUB1587 SERIES" PACKAGE.
 - FOR REFLOW SOLDERING LEAD-FREE PROCESS.

REV.	ECN NO.	OR DESCRIPTION	REVISED	DATE
A	PDR RELEASE	IYY-C		2011.12.19
B	ECN NO:1.120018	IYY-C		2012.04.18
C	ECN NO:1.120056	IYY-C		2012.05.16
D	ECN NO:1.120163	IYY-C		2013.03.08

D	INK	BLACK
C	SHELL	50u"Min. Ni PLATED
B	CONTACT	SEE PART NO.
A	HOUSING	BLACK
NO	DESCRIPTION	PLATING & COLOR

UNLESS OTHERWISE SPECIFIED TOLERANCES

DECIMALS: ANGLES:

X : ±0.5 X : ±2°
 X.X : ±0.3 X.X : ±1'
 X.XX : ±0.2

Singatron Enterprise Co., Ltd.
 信音企業股份有限公司

TITLE	USB2.0 A TYPE FEMALE, R/A, DIP, SINKING, CH=2.36
DRAW	REV: 2013.03.08 PART NO. ZUB1588-000111F
CHKD	SCALE: 3.3:1 UNIT: mm
APVD	SIZE: A3 SHEET: 1 OF 1 REV: D

CUSTOMER COPY