

REV	ECN NO OR DESCRIPTION	REVISED	DATE
A	PDR NO T180628-2A	PAN	2018.09.25
B	ECN NO: L190009	EVEN	2019.03.15

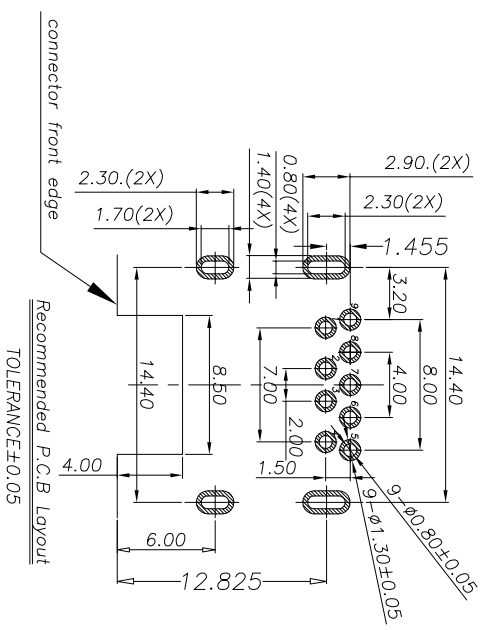
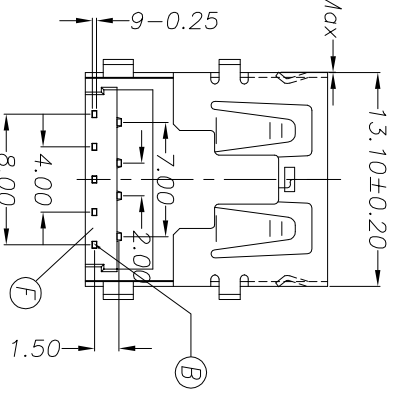
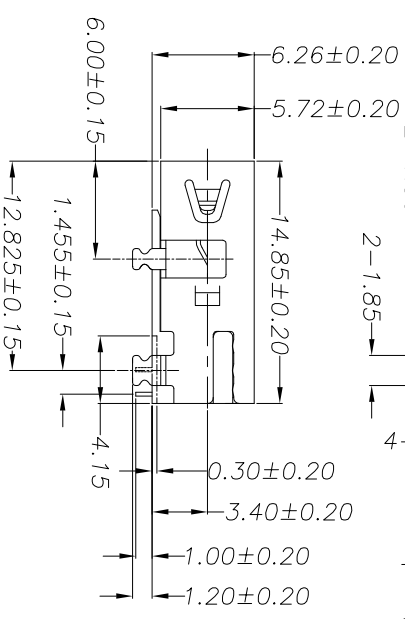
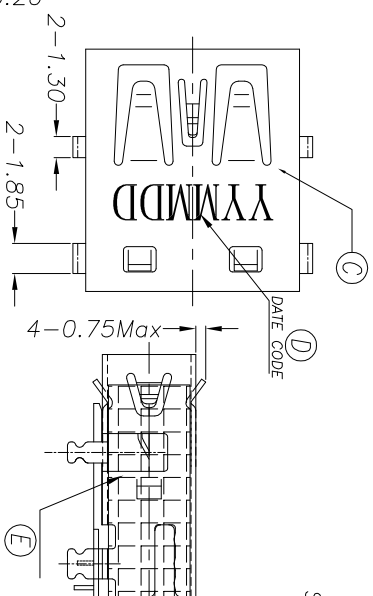
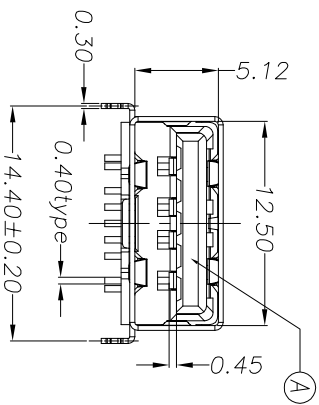
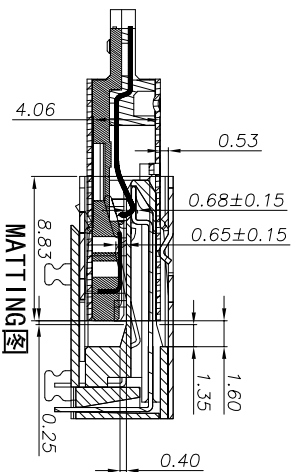
**SPECIFICATIONS:**

- ELECTRICAL CHARACTERISTICS:**
  - CURRENT RATING: 1.8A (PIN1,4), THE OTHER CONTACTS 0.25A MIN.
  - CONTACT RESISTANCE: 30mΩ(PIN1,4), OTHER CONTACTS 50mΩ
  - INSULATION RESISTANCE: 100MΩ MIN. @ 100V DC.
  - DIELECTRIC WITHSTANDING VOLTAGE: 100V AC FOR 1 MINUTE.
- MECHANICAL CHARACTERISTICS:**
  - INSERTION FORCE: 10N~20N FOR INITIAL, AND 8N~20N AFTER TEST.
  - WITHDRAWAL FORCE: 10N~20N FOR INITIAL, AND 8N~20N AFTER TEST.
- LIFE TEST:** 5,000 CYCLES MIN.
- OPERATING TEMPERATURE:** -55°C TO +85°C.
- TO CONFORM TO THE SINGATRON HAZARDOUS SUBSTANCE FREE SPEC.**
- HALOGEN FREE PRODUCT IDENTIFICATION LABEL ON PACKAGING:**
- PACKAGE:** SEE "ZUB1593-130111F" PACKAGE.
- FOR REFLOW SOLDERING LEAD-FREE PROCESS.**
- OTHER GENERAL SPEC. TO REFER "ZUB1593-130111F SPEC".**

**PART NO.**

**ZUB1593-130111F**

- SUFFIX: HALOGEN FREE
- PACKAGE
- 1: TAPE AND REEL
- HOUSING COLOR
- 1: BLUE
- CONTACT PLATING
- 1: GOLD 1u" Min. ON CONTACT AREA, MAIT Sn 80u" Min. ON SOLDER AREA, 50u" NICKEL UNDERPLATED OVERALL.



NO	DESCRIPTION	QTY	MATERIAL	PLATING & COLOR
A	HOUSING	1	PA9T UL 94V-0	300C BLUE
B	CONTACT	9	PHOSPHOR BRONZE 0.25t	Black Ni PLATING GOLD 1u" Min. ON CONTACT AREA MAIT Sn 80u" Min. ON SOLDER AREA 50u" NICKEL UNDERPLATED OVERALL.
C	SHELL	1	STAINLESS STEEL 0.3t	BLACK
D	INK	2		YELLOW
E	Mylar	2		YELLOW
F	COVER	1	PA9T UL 94V-0	300C BLUE

UNLESS OTHERWISE SPECIFIED TOLERANCES

DECIMALS: ANGLES: TITLE USB 3.0 A TYPE FEMALE, R/A, DIP TYPE, CH=3.40

X.X :±0.5 X :±2

X.X :±0.3 X.X :±1'

X.XX :±0.2

DWN: 20190315 PART NO. ZUB1593-130111F

CHKD: SCALE 1:1 UNIT: mm

APVD: ANGEL20190315 SIZE: A3 SHEET: 1 OF 1 REV: B

Singatron Enterprise Co., Ltd. 信音企業股份有限公司

CUSTOMER COPY