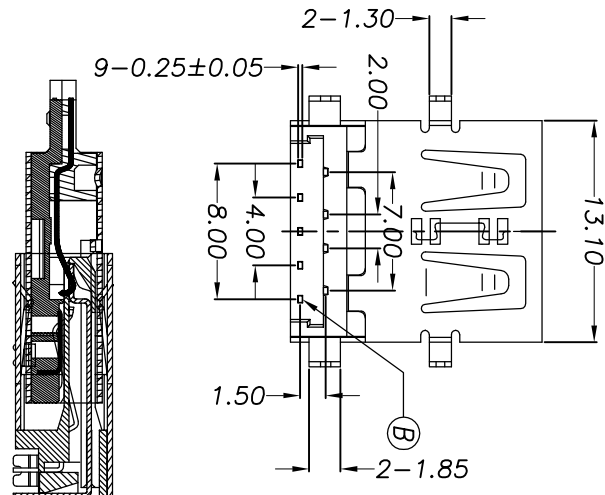
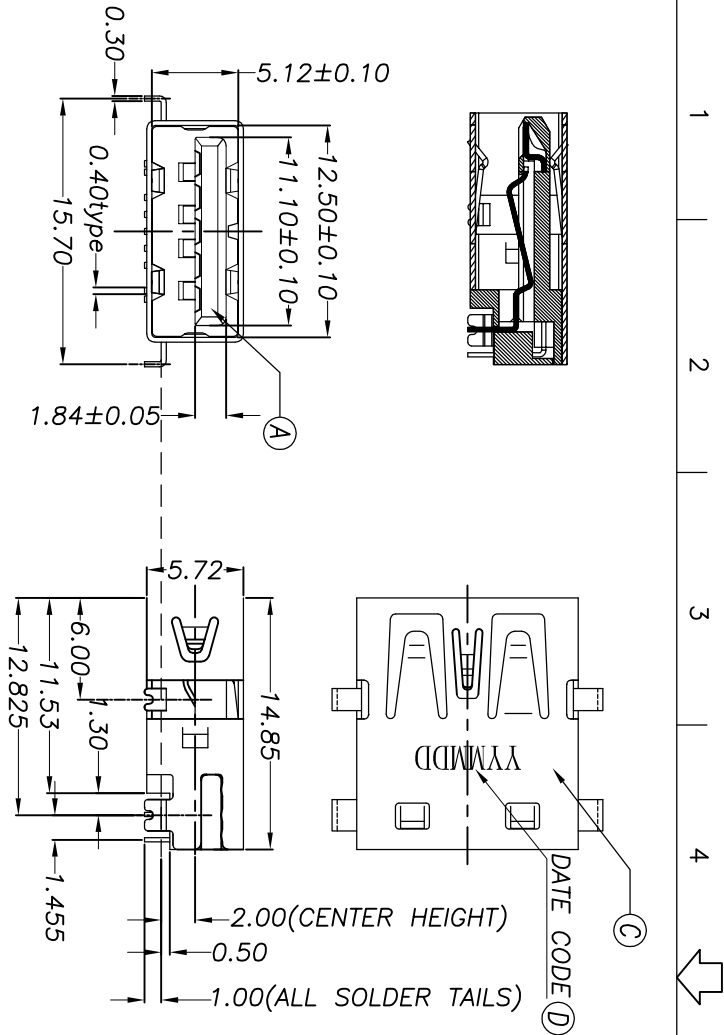


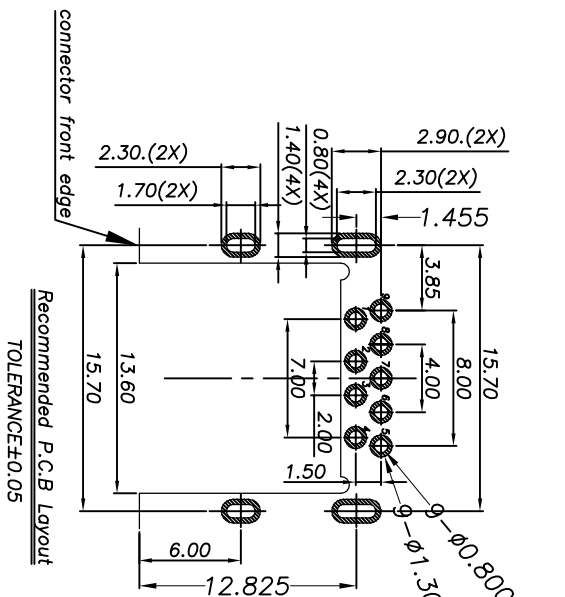
REV.	ECN NO.	OR DESCRIPTION	REVISED	DATE
A	PDR	RELEASE	NY-C	2014.01.20

**SPECIFICATIONS:**

- ELECTRICAL CHARACTERISTICS:
  - CURRENT RATING: 1.8A (PIN1,4), THE OTHER CONTACTS 0.25A MIN.
  - CONTACT RESISTANCE: 30mΩ(PIN1,4), OTHER CONTACTS 50mΩ
  - INSULATION RESISTANCE: 100MΩ MIN. @ 100V DC.
  - Dielectric WITHSTANDING VOLTAGE: 100V AC FOR 1 MINUTE.
- MECHANICAL CHARACTERISTICS:
  - INSERTION FORCE: 35N MAX.
  - WITHDRAWAL FORCE: 10N MIN. FOR INITIAL, AND 8N MIN. AFTER TEST.
  - LIFE TEST: 5,000 CYCLES MIN.
  - OPERATING TEMPERATURE: -55°C TO +85°C.
  - OTHER GENERAL SPEC. TO REFER "2UB1594-000121F SPEC".
  - TO CONFORM TO THE SINGATRON HAZARDOUS SUBSTANCE FREE SPEC.
  - HALOGEN FREE PRODUCT IDENTIFICATION LABEL ON PACKAGING.
  - PACKAGE: SEE "2UB1594 SERIES" PACKAGE.
  - FOR REFLOW SOLDERING LEAD-FREE PROCESS.



REFERENCE MATING DRAWING



PART NO.  
2UB1594-000121F

SUFFIX: HALOGEN FREE  
PACKAGE  
1: TAPE AND REEL  
HOUSING COLOR  
2: BLUE  
CONTACT PLATING  
1: GOLD 1u" Min. ON CONTACT AREA,  
MATTE TIN 120u" Min. ON SOLDER AREA,  
50u" NICKEL UNDERPLATED OVERALL.

D	INK		BLACK
C	SHELL	1	30u" Min NICKEL PLATED
B	CONTACT	9	COPPER ALLOY SEE PART NO.
A	HOUSING	1	HIGH TEMP. THERMOPLASTIC UL 94V-0 BLUE
NO	DESCRIPTION	QTY	MATERIAL PLATING & COLOR

UNLESS OTHERWISE SPECIFIED TOLERANCES

DECIMALS:	ANGLES:
X :±0.5	X :±2°
X.X :±0.3	X.X :±1°
X.XX :±0.2	

Singatron Enterprise Co., Ltd.  
信登企業股份有限公司

TITLE	USB 3.0 A TYPE FEMALE R/A SINKING DIP TYPE, CH=2.00
DWN	NY-C 2014.01.20 PART NO. 2UB1594-000121F
CHKD	SCALE:3.3:1 UNIT: mm
APVD	ANZ140101020 SIZE: A3 SHEET: 1 OF 1 REV: A

CUSTOMER COPY

