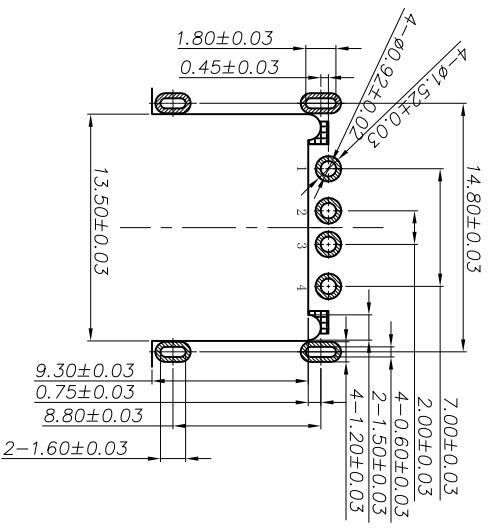


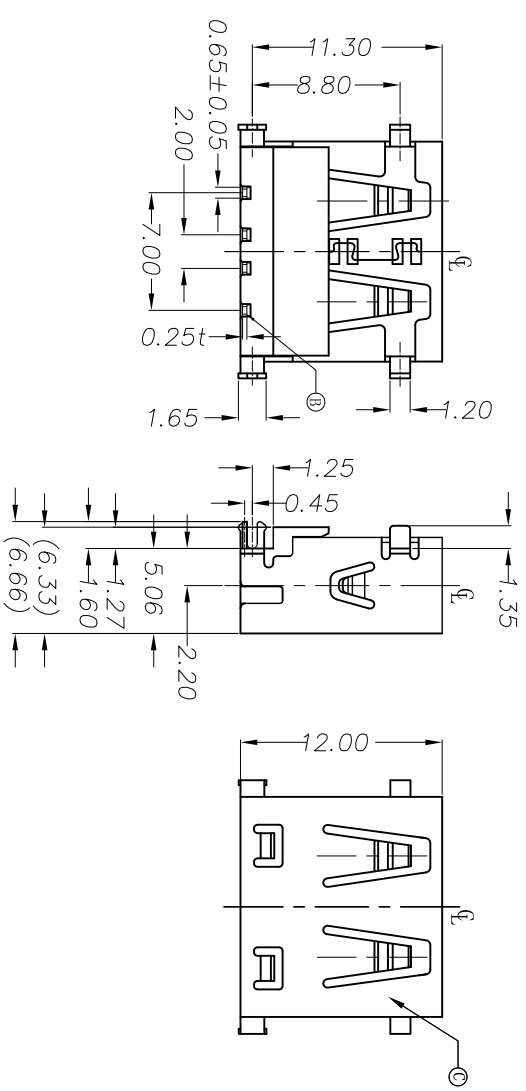
REV.	ECN NO. OR DESCRIPTION	REVISED	DATE
A	NEW RELEASE	ZW	2012.07.08



- SPECIFICATIONS:**
- ELECTRICAL CHARACTERISTICS:**
 - 1-1. RATING: 1.5A; 30V.
 - 1-2. CONTACT RESISTANCE: 30mΩ MAX.
 - 1-3. INSULATION RESISTANCE: 1000MΩ MIN. @ 500V DC.
 - 1-4. DIELECTRIC WITHSTANDING VOLTAGE: 500V AC FOR 1 MINUTE.
 - MECHANICAL CHARACTERISTICS:**
 - 2-1. INSERTION FORCE: 35N MAX.
 - 2-2. WITHDRAWAL FORCE: 10N MIN.
 3. LIFE TEST: 5,000 CYCLES MIN.
 4. OPERATING TEMPERATURE: -55°C TO +85°C.
 6. OTHER GENERAL SPEC. TO REFER "ZUB1599 SERIES SPEC".
 7. HALOGEN FREE PRODUCT IDENTIFICATION LABEL ON PACKAGING.
 8. PACKAGE: SEE "ZUB1599 SERIES" PACKAGE.
 9. FOR WAVE SOLDERING LEAD-FREE PROCESS.



RECOMMENDED PCB LAYOUT (COMPONENT SIDE)
 PCB THICKNESS 1.20mm (TOLERANCE+0.05mm)



- PART NO.**
ZUB1599-0001X1F
- SUFFIX: HALOGEN FREE
 - PACKAGE
 - 1: TAPE REEL
 - HOUSING COLOR
 - 1: BLACK
 - 2: YELLOW(107C)
 - CONTACT PLATING
 - 1: GOLD FLASH PLATED ON CONTACT AREA, SN PLATED ON SOLDER TAIL, ALL OVER IN PLATED

NO	DESCRIPTION	QTY	MATERIAL	PLATING & COLOR
C	SHELL	1	STAINLESS STEEL	NICKEL PLATED
B	CONTACT	4	COPPER ALLOY	GOLD FLASH PLATED ON CONTACT AREA, SN PLATED ON SOLDER TAIL, ALL OVER IN PLATED
A	HOUSING	1	HIGH TEMP THERMOPLASTIC UL 94V-0	SEE PART NO.

UNLESS OTHERWISE SPECIFIED TOLERANCES

Singatron Enterprise Co., Ltd.
 信亨企業股份有限公司

DECIMALS:	ANGLES:	TITLE	DWN	CHKD	APVD
X : ±0.5	X : ±2°	USB2.0 A TYPE FEMALE, R/A, DIP, SINKING, CH=2.20	ZW	KIM	SEAN
X.X : ±0.3	X.X.X : ±1°	PART NO. ZUB1599-0001X1F			
X.XX : ±0.2		SCALE N/A			
		UNIT: mm			
		SIZE: A4			
		SHEET: 1 OF 1			
		REV: A			

PRODUCT NO.	HOUSING COLOR
ZUB1599-000121F	YELLOW(107C)
ZUB1599-000111F	BLACK