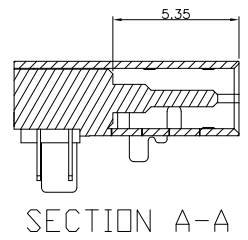
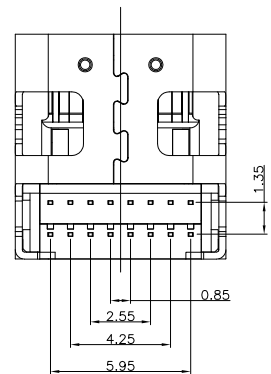
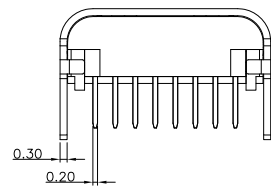
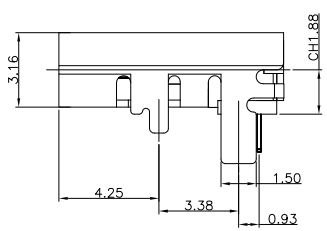
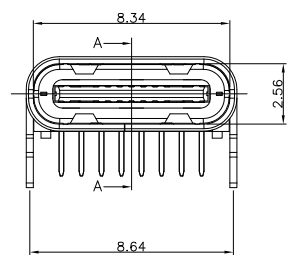
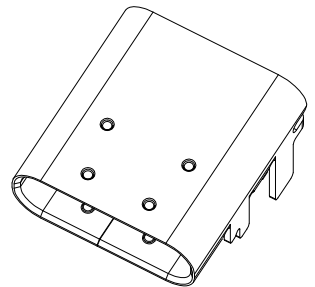
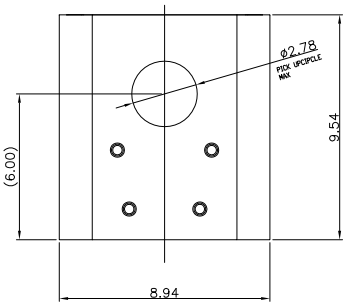


1 2 3 4 5 6 7 8

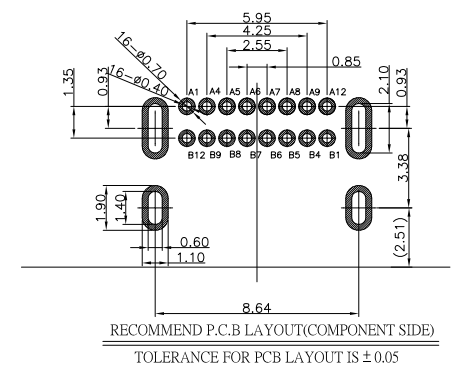
F
E
D
C
B
A

F
E
D
C
B
A



- NOTES: 1.MATERIAL:
MOLDING: LCP UL94 V-0
CONTACT: COPPER ALLOY.
GOLD PLATED Min ON CONTACT AREA, 100u"
Min TIN (LEAD FREE) ON SOLDER AREA,
SHELL: SUS304-H, T=0.30±0.03mm
50u" NICKEL PLATING OVER ALL.
MIDDLE SHILD: SUS304-H, T=0.20±0.03mm
- 2.MECHANICAL:
INSERTION: 5~20N.
EXTRACTION: 8~20N AFTER TEST.
DURABILITY: 10000 CYCLES
- 3.ELECTRICAL:
CURRENT: 5A FOR VBUS;
1.25A FOR GND PIN.
0.25A FOR OTHER.
VOLTAGE: 20 V MAX
WITHSTANDING VOLTAGE: 100V AC R.M.S.
CONTACT RESISTANCE: 40mΩ MAX.
INSULATION RESISTANCE: 100MΩ MIN.
- 4.ENVIRONMENTAL
TEMPERATURE RANGE -40°C ~ +85°C

PIN	Signal Name	Description	PIN	Signal Name	Description
A1	GND	Ground return	B12	GND	Ground return
A2	SSTxp1	Positive half of first SuperSpeed TX differential pair	B11	SSRxp1	Positive half of first SuperSpeed RX differential pair
A3	SSTxm1	Negative half of first SuperSpeed TX differential pair	B10	SSRxm1	Negative half of first SuperSpeed RX differential pair
A4	Vbus	Bus Power	B9	Vbus	Bus Power
A5	CC1	Configuration Channel	B8	SRH2	Sideband Use (SRU)
A6	Dn1	Positive half of the USB 2.0 differential pair=Position 1	B7	Dn2	Negative half of the USB 2.0 differential pair=Position 2
A7	Dp1	Negative half of the USB 2.0 differential pair=Position 1	B6	Dp2	Positive half of the USB 2.0 differential pair=Position 2
A8	SBU1	Sideband Use (SRU)	B5	CC2	Configuration Channel
A9	Vbus	Bus Power	B4	Vbus	Bus Power
A10	SSRxn2	Negative half of second SuperSpeed RX differential pair	B3	SSTxn2	Negative half of second SuperSpeed TX differential pair
A11	SSRxp2	Positive half of second SuperSpeed RX differential pair	B2	SSTxp2	Positive half of second SuperSpeed TX differential pair
A12	GND	Ground return	B1	GND	Ground return



Singatron Enterprise Co., Ltd.

GENERAL TOLERANCE		TITLE	USB TYPE C FEMALE 16P 3.16MM HEIGHT		
XX. ±	XXX. ±	DWN	CMVEN	PART NO. 2UB16-UCF661025	
X. ± 0.30	.XXX ± 0.05	CHKD	2020/10/12	SCALE 1:1	UNIT: mm
.X ± 0.25	X.° ± 3°	APVD	JAMES	SIZE: A3	SHEET: 1 OF 3
.XX ± 0.20	.X° ± 2°	CUSTOMER COPY			

1 2 3 4 5 6 7 8

1 2 3 4 5 6 7 8

F

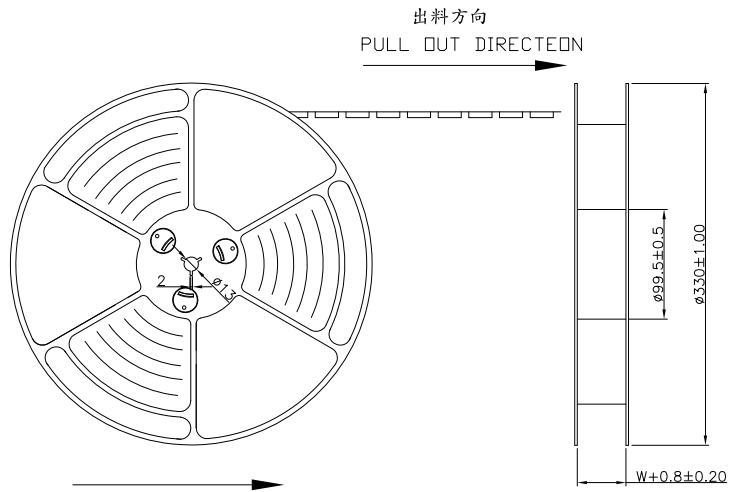
E

D

C

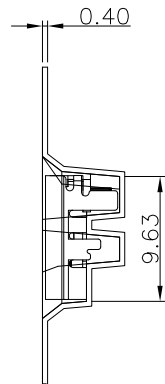
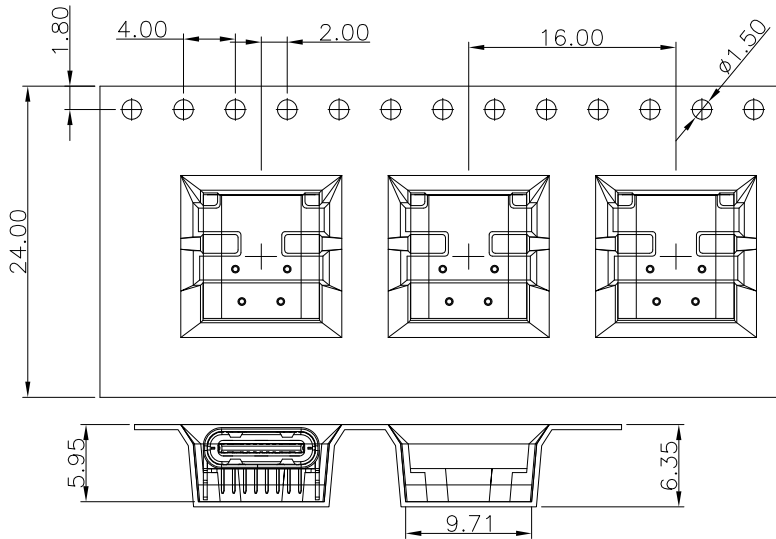
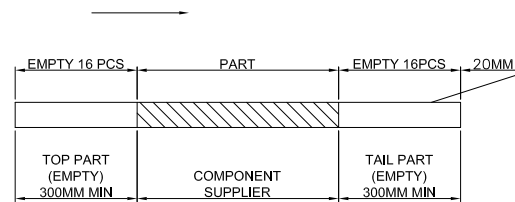
B

A

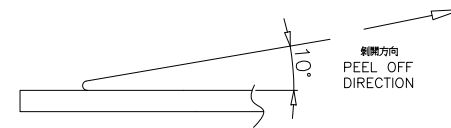


NOTES

- 1. 帶子引導長度
LEAD TAPE LENGTH
出料方向
PULL OUT DIRECTION



- 2. 上帶剝力為: 0.1~1.3N(10.2gf~130gf)
PEELING OFF FORCE OF TOP TAPE: 0.1~1.3N(10.2gf~130gf)
出貨運輸過程中一定注意:
THIS REQUIREMENT SHOULD BE APPLIED AT SHIPMENT:
卷帶在運輸過程中不能散開
PEELING OFF SHOULD NOT BE ALLOWED DURING TRANSPORTATION



載帶卷料方向

Singatron Enterprise Co., Ltd.

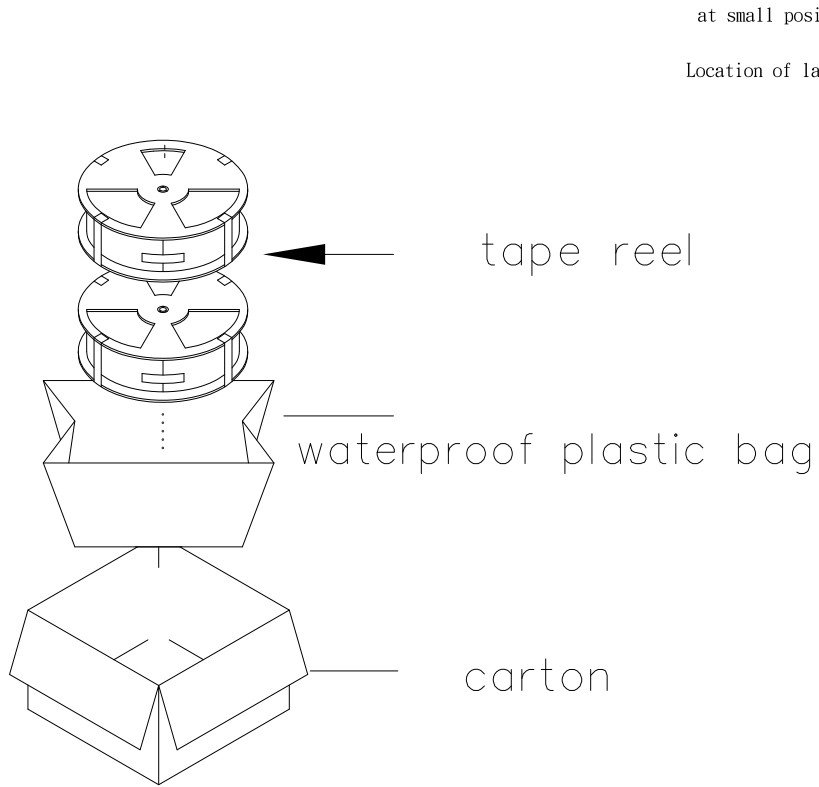
GENERAL TOLERANCE		TITLE	USB TYPE C FEMALE 16P 3.16MM HEIGHT			
XX. ±	XXX. ±	DWN	CMVEN	PART NO. 2UB16-UCF661025		
X. ± 0.30	.XXX ± 0.05	CHKD	2020/10/12	SCALE 1:1	UNIT: mm	⊕ ↻
.X ± 0.25	X.° ± 3°	APVD	JAMES	SIZE: A3	SHEET: 2 OF 3	REV: 1
.XX ± 0.20	.X° ± 2°	CUSTOMER COPY				

1 2 3 4 5 6 7 8

1 2 3 4 5 6 7 8

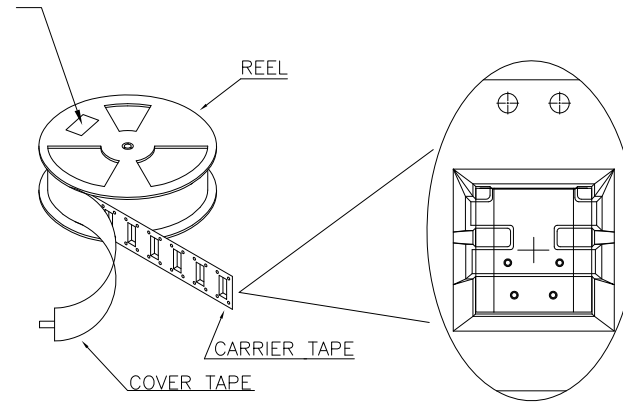
F
E
D
C
B
A

F
E
D
C
B
A



at small positioning hole of the carrier tape side).

Location of label sticking (label



NOTE:

1. 每捲包裝數量及每箱裝箱數量如左下表格.
2. 以上膠帶覆蓋下包裝帶經包裝機冷封包裝
3. 每個紙箱放2個珍珠棉
4. 將裝滿產品的卷盤放入紙箱并以膠帶封口
5. PACKAGE: TAPE REEL, 700PCS/REEL, 7000PCS/CARTON

Singatron Enterprise Co., Ltd.

GENERAL TOLERANCE		TITLE	USB TYPE C FEMALE 16P 3.16MM HEIGHT				
XX. ±	XXX. ±	DWN	CMVEN	PART NO. 2UB16-UCF661025			
X. ± 0.30	.XXX ± 0.05	CHKD	2020/10/12	SCALE 1:1	UNIT: mm		
.X ± 0.25	X.° ± 3°	APVD	JAMES	SIZE: A3	SHEET: 3 OF 3		
.XX ± 0.20	.X° ± 2°	CUSTOMER COPY					REV: 1

1 2 3 4 5 6 7 8