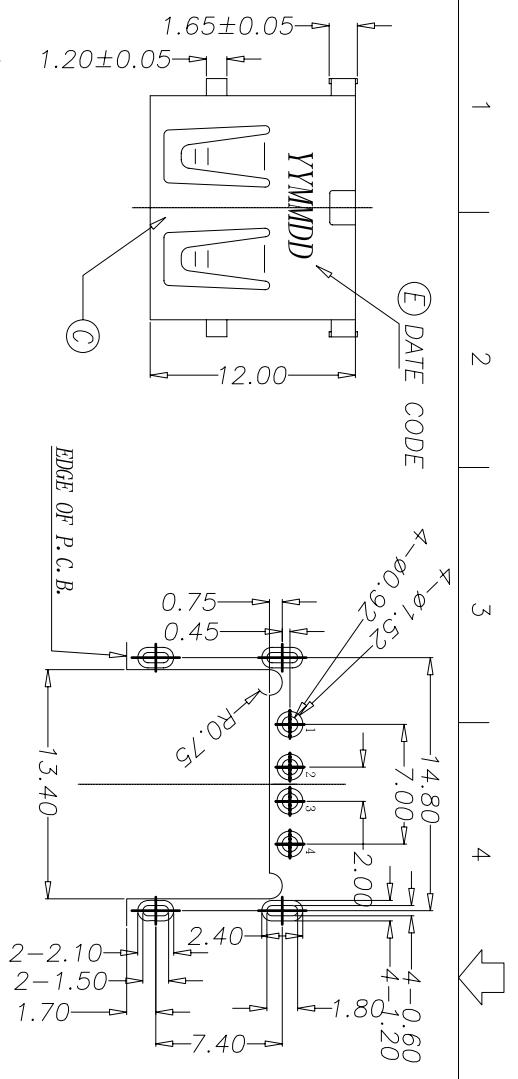
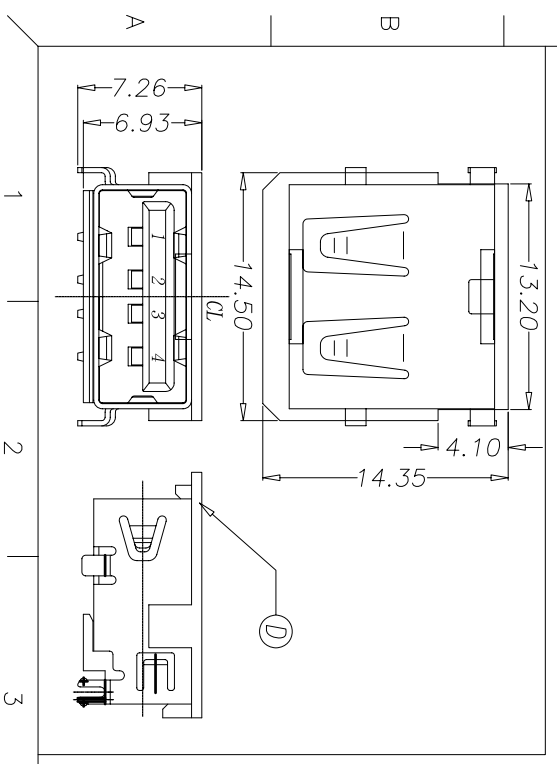
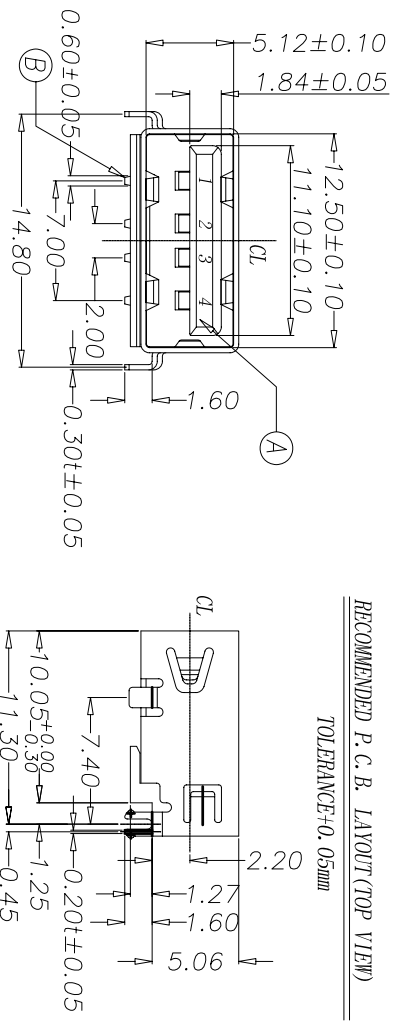


REV.	ECN NO. OR DESCRIPTION	REVISED	DATE
A	PDR RELEASE	WY-C	2012.05.28



RECOMMENDED P.C.B. LAYOUT (TOP VIEW)

TOLERANCE: ±0.05mm



SPECIFICATIONS:

- ELECTRICAL CHARACTERISTICS:
 - 1-1. RATING: 1.5A; 30V.
 - 1-2. CONTACT RESISTANCE: 30mΩ MAX.
 - 1-3. INSULATION RESISTANCE: 1000MΩ MIN. @ 500V DC.
 - 1-4. DIELECTRIC WITHSTANDING VOLTAGE: 500V AC FOR 1 MINUTE.
- MECHANICAL CHARACTERISTICS:
 - 2-1. INSERTION FORCE: 35N Max.
 - 2-2. WITHDRAWAL FORCE: 10N Min.
- LIFE TEST: 5,000 CYCLES MIN.
- OPERATING TEMPERATURE: -55°C TO +85°C.
- OTHER GENERAL SPEC. TO REFER "2UB1603 SERIES SPEC".
- TO CONFORM TO THE SINGATRON HAZARDOUS SUBSTANCE FREE SPEC.
- HALOGEN FREE PRODUCT IDENTIFICATION LABEL ON PACKAGING.
- PACKAGE: SEE "2UB1603 SERIES" PACKAGE.
- FOR REFLOW SOLDERING LEAD-FREE PROCESS.

PART NO.

2UB1603-000111F

OPTIONAL
0: W/CAP

SUFFIX: HALOGEN FREE
PACKAGE
1: TAPE AND REEL
HOUSING COLOR
1: BLACK
CONTACT PLATING
1: 1u" Au ON CONTACT AREA,
120u" Sn PLATING ON SOLDER AREA,
50u" Ni UNDERPLATING OVERALL

NO	DESCRIPTION	QTY	MATERIAL	PLATING & COLOR
E	INK			BLACK
D	CAP	1	HIGH TEMP. THERMOPLASTIC UL 94V-0	BLACK
C	SHELL	1	STAINLESS STEEL	60u" Ni Min.
B	CONTACT	4	COPPER ALLOY	SEE PART NO.
A	HOUSING	1	HIGH TEMP. THERMOPLASTIC UL 94V-0	BLACK
NO	DESCRIPTION			BLACK

UNLESS OTHERWISE SPECIFIED TOLERANCES

DECIMALS: ANGLES: SINGATRON ENTERPRISE CO., LTD.
信音企業股份有限公司

TITLE	USB A TYPE FEMALE, R/A, DIP, SINKING, CH=2.2
DWN	W-C-2012.05.28
CHKD	W-M-2012.05.28
APVD	W-M-2012.05.28
PART NO.	2UB1603-000111F
SCALE	3:1
UNIT	mm
SIZE	A3
SHEET	1 OF 1
REV.	A

CUSTOMER COPY