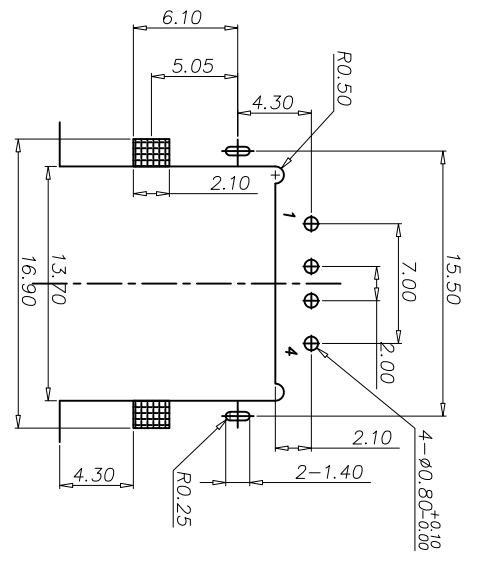
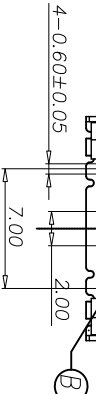
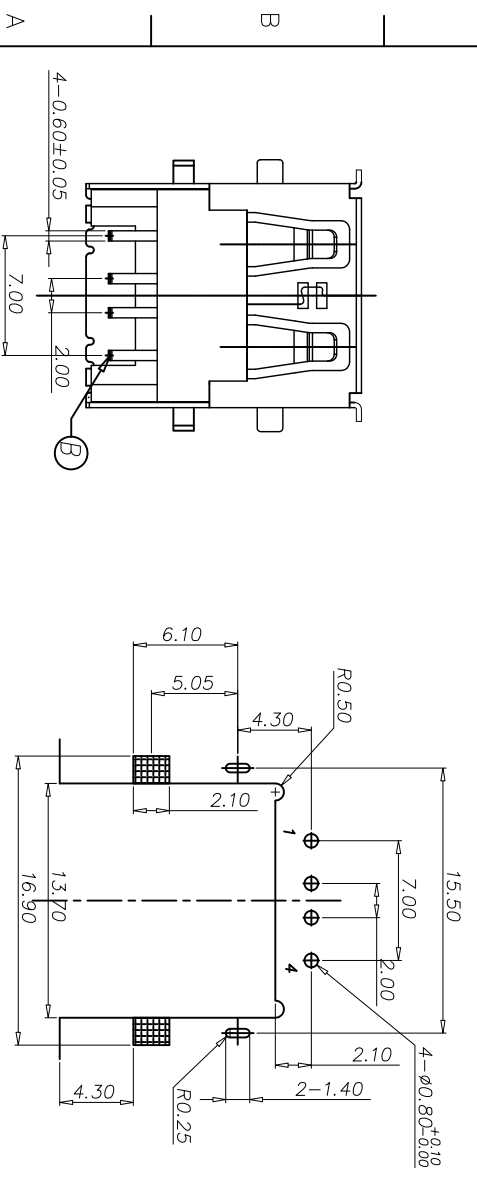
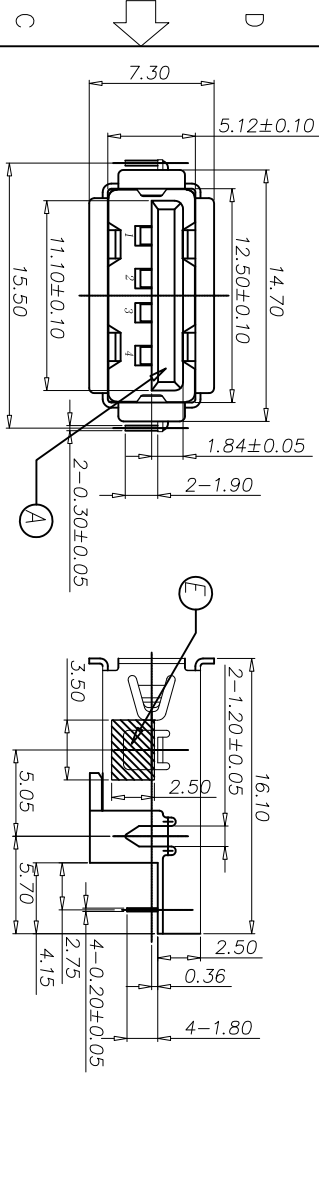
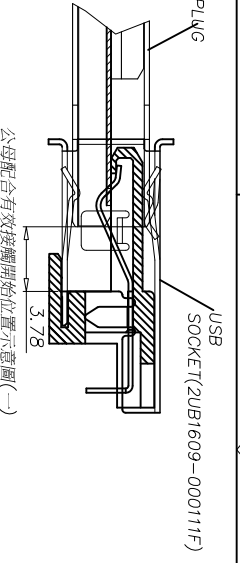


公母配合有效接觸結束位置示意圖(二)  
從以上示意圖可以看出,公母接觸的有效行程為3.78mm



**SPECIFICATIONS:**

1. ELECTRICAL CHARACTERISTICS:
  - 1-1. RATING: 1.5A; 30V.
  - 1-2. CONTACT RESISTANCE: 30mΩ MAX.
  - 1-3. INSULATION RESISTANCE: 1000MΩ MIN. @ 500V DC.
  - 1-4. DIELECTRIC WITHSTANDING VOLTAGE: 500V AC FOR 1 MINUTE.
2. MECHANICAL CHARACTERISTICS:
  - 2-1. INSERTION FORCE: 35N Max.
  - 2-2. WITHDRAWAL FORCE: 10N Min.
  3. LIFE TEST: 5,000 CYCLES MIN.
  4. OPERATING TEMPERATURE: -55°C TO +85°C.
  5. OTHER GENERAL SPEC. TO REFER "2UB1609 SERIES SPEC".
  6. TO CONFORM TO THE SINGATRON HAZARDOUS SUBSTANCE FREE SPEC.
  7. HALOGEN FREE PRODUCT IDENTIFICATION LABEL ON PACKAGING.
  8. PACKAGE: SEE "2UB1609 SERIES" PACKAGE.
  9. FOR REFLOW SOLDERING LEAD-FREE PROCESS.

**PART NO.**

**2UB1609-000111F**

- SUFFIX: HALOGEN FREE
- PACKAGE
- 1: TAPE AND REEL
- HOUSING COLOR
- 1: BLACK
- CONTACT PLATING
- 1: GOLD FLASH ON CONTACT AREA, 120u" TIN PLATED ON SOLDER AREA 50u" NICKEL UNDERPLATING OVERALL

E	MYLAR	2	KAPTON FILM	YELLOW
D	INK	-		BLACK
C	SHELL	1	STAINLESS STEEL	NICKEL PLATED
B	CONTACT	4	PHOSPHOR BRONZE	SEE PART NO.
A	HOUSING	1	HIGH TEMP THERMOPLASTIC, UL 94V-0	BLACK
NO	DESCRIPTION	QTY	MATERIAL	PLATING & COLOR

UNLESS OTHERWISE SPECIFIED TOLERANCES  
 Singatron Enterprise Co., Ltd.  
 信音企業股份有限公司

DECIMALS:	ANGLES:	TITLE	USB2.0 A TYPE FEMALE, R/A, SINKING, CH=0.36mm
X : ±0.5	X : ±2°	DWN	W-C-2012.10.31
X.X : ±0.3	X.X : ±1'	CHKD	WMO-1201210.31
X.XX : ±0.2		APVD	WMO-1201210.31
			SCALE: 3.5:1 UNIT: mm
			SIZE: A3 SHEET: 1 OF 1 REV: A

**CUSTOMER COPY**