

REV.	ECN NO OR DESCRIPTION	REVISED	DATE
A	PDR RELEASE	IVY-C	2013.03.08
B	ECN NO:L140026	IVY-C	2014.07.16
C	ECN NO: L202101-004	EVEN	2021.06.08

SPECIFICATIONS:

1. ELECTRICAL CHARACTERISTICS:

- 1-1. RATING: 1.5A; 30V.
- 1-2. CONTACT RESISTANCE: 30mΩ MAX.
- 1-3. INSULATION RESISTANCE: 1000MΩ MIN. @ 500V DC.
- 1-4. DIELECTRIC WITHSTANDING VOLTAGE: 500V AC FOR 1 MINUTE.

2. MECHANICAL CHARACTERISTICS:

- 2-1. INSERTION FORCE: 3.5KG MAX.
- 2-2. WITHDRAWAL FORCE: 1.0~2.5KG (INITIAL) 0.8~2.5kg(AFTER TEST).

3. LIFE TEST: 5,000 CYCLES.

4. TEMPERATURE RANGE: -40°C TO +85°C.

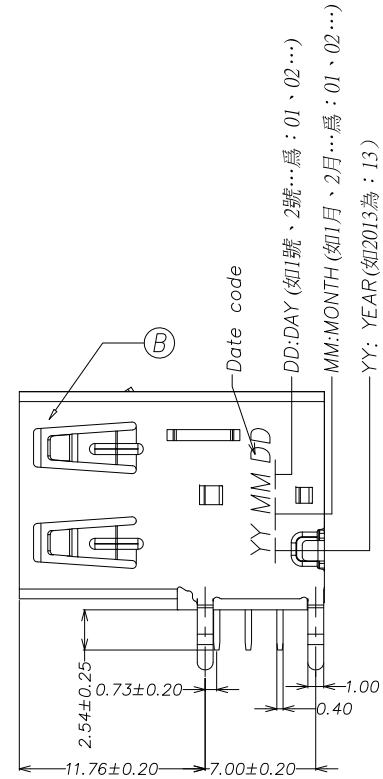
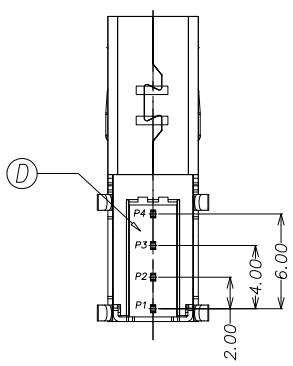
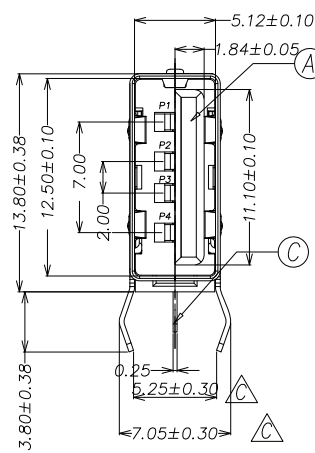
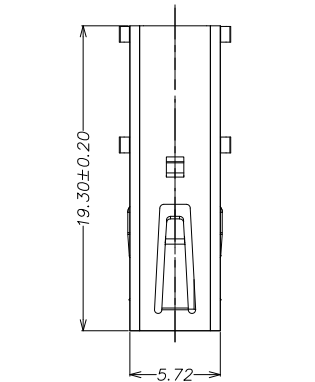
5. OTHER GENERAL SPEC. TO REFER "2UB1624 SERIES SPEC".

6. TO CONFORM TO THE SINGATRON HAZARDOUS SUBSTANCE FREE SPEC.

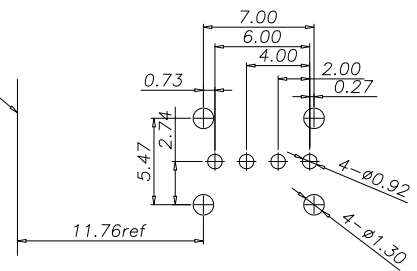
7. HALOGEN FREE PRODUCT IDENTIFICATION LABEL ON PACKAGING: 

8. PACKAGE: SEE "2UB1624 SERIES" PACKAGE.

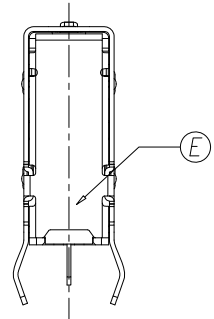
9. FOR REFLOW SOLDERING LEAD-FREE PROCESS.



PROFILE OF CONECTOR




PCB LAYOUT(TOP VIEW)
TOLERANCE:±0.05mm



2UB1624-000111F

- SUFFIX: HALOGEN FREE
- PACKAGE
1: TRAY
- HOUSING COLOR
1: BLACK
- CONTACT PLATING
1: 30u" Au PLATING ON CONTACT AREA,
80u"Min. TIN(Sn) PLATING ON SOLDER AREA,
50u"Min. Ni UNDERPLATING OVERALL

NO	DESCRIPTION	QTY	MATERIAL	PLATING & COLOR
E	REAR SHELL	1	SPCC	50u"Min. Ni PLATED
D	COVER	1	LCP, UL94-V0	BLACK
C	CONTACT	4	COPPER ALLOY	SEE PART NO.
B	SHELL	1	STAINLESS STEEL	50u"Min. Ni PLATED
A	HOUSING	1	LCP, UL94-V0	BLACK

UNLESS OTHERWISE SPECIFIED TOLERANCES		 信音科技(香港)有限公司		
DECIMALS:	ANGLES:	TITLE	USB2.0 A TYPE FEMALE, DIP, VERTICAL, H=13.80mm	
X :±0.5	X :±2°	DWN	EVEN 2021.06.08 PART NO. 2UB1624-000111F	
X.X :±0.3	X.X :±1°	CHKD	SCALE3.3:1	UNIT: mm
X.XX :±0.2		APVD	ANGELA 2021.06.08	SIZE: A3 SHEET:1 OF 1 REV:C
CUSTOMER COPY				