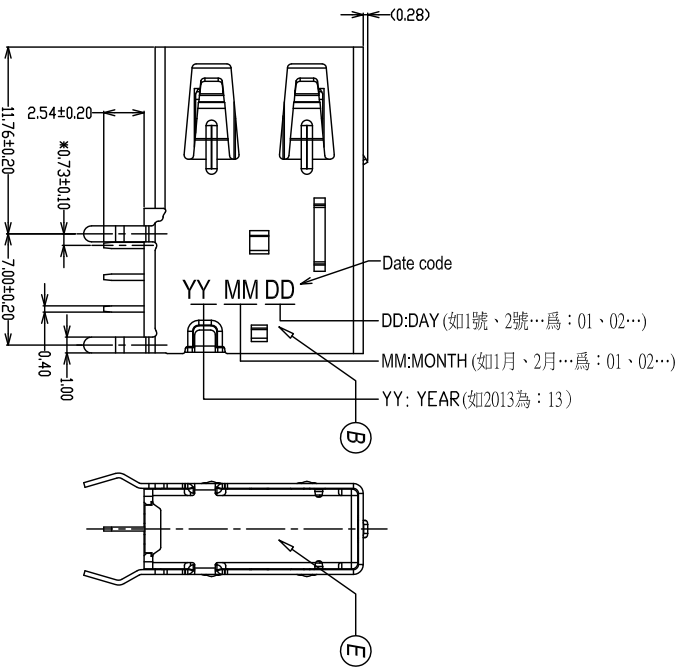
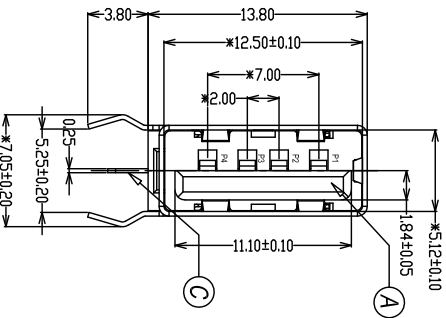
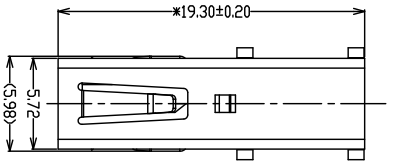


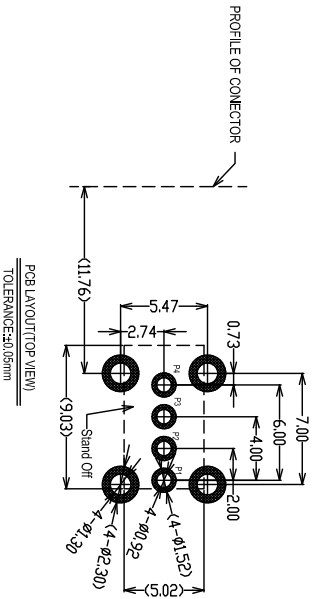
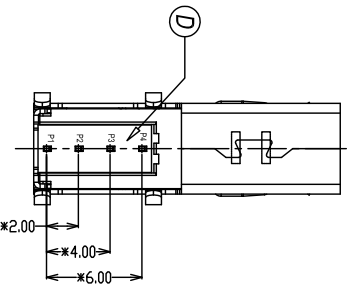
REV/ECN NO OR DESCRIPTION	REVISED	DATE
A PDR RELEASE	EVEN	2019.09.11

SPECIFICATIONS:

- 1. ELECTRICAL CHARACTERISTICS:**
- 1-1. CONTACT CURRENT RATING: 1.5A
 - 1-2. CONTACT RESISTANCE: 30mΩ MAX.
 - 1-3. INSULATION RESISTANCE: 1000MΩ MIN. @ 500V DC.
 - 1-4. DIELECTRIC WITHSTANDING VOLTAGE: 500V AC FOR 1 MINUTE.
- 2. MECHANICAL CHARACTERISTICS:**
- 2-1. INSERTION FORCE: 3.5kgf MAX.
 - 2-2. WITHDRAWAL FORCE: 1.0-3.5kgf.
- 3. LIFE TEST: 5,000 CYCLES.
 - 4. TEMPERATURE RANGE: -40°C TO +85°C.
 - 5. OTHER GENERAL SPEC. TO REFER "2UB1624-030112F SPEC".
 - 6. TO CONFORM TO THE SINGATRON HAZARDOUS SUBSTANCE FREE SPEC.
 - 7. HALOGEN FREE PRODUCT IDENTIFICATION LABEL ON PACKAGING.
 - 8. PACKAGE: SEE "2UB1624-030112F" PACKAGE.
 - 9. FOR REFLOW SOLDERING LEAD-FREE PROCESS.



- 2UB1624-030112F**
- SUFFIX: HALOGEN FREE
 - PACKAGE
 - 2: TAPE & REEL
 - HOUSING COLOR
 - 1: BLACK
 - CONTACT PLATING
 - 1: 30μ" AU PLATING ON CONTACT AREA,
100μ"~200μ" TIN(SN) PLATING ON SOLDER AREA,
50μ" MIN. NI UNDERPLATING OVERALL



NO	DESCRIPTION	QTY	MATERIAL	PLATING & COLOR
E	BACK COVER	1	SFCC	NICKEL(300μ) PLATING
D	COVER	1	LCP UL94-V0	BLACK
C	CONTACT	4	C26880	SEE PART NO.
B	SHELL	1	SUS304	NICKEL(300μ) PLATING OVERALL TIN(100μ~200μ) SOLDER AREA
A	HOUSING	1	LCP UL94-V0	BLACK

DECIMALS:	ANGLES:	TITLE	DWG	CHKD	APVD
X :0.5	X :±2°	USB2.0 A TYPE FEMALE DIP VERTICAL, H=13.80mm	ENG/20190911	SCALE 3:1	ANG/20190911
X.X :±0.3	X.X :±1°	PART NO. 2UB1624-030112F		UNIT: mm	
X.XX :±0.2		SIZE: A3		SHEET: 1 OF 1	

Singaton Enterprise Co., Ltd.
 信音企業股份有限公司

CUSTOMER COPY