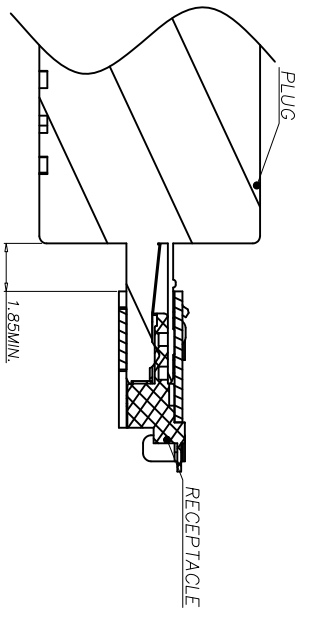
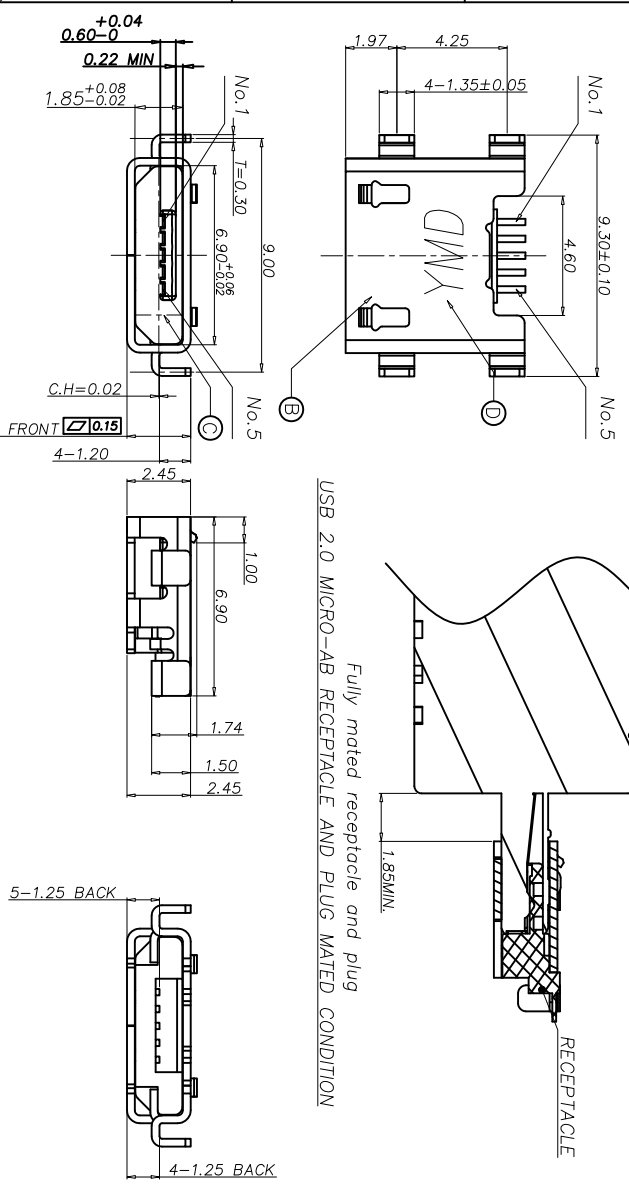


REV.	ECN NO. OR PDR RELEASE	DESCRIPTION	REVISED BY	DATE
A	PDR RELEASE		IYY-C	2013.06.19
B	ECN NO.:L130098		IYY-C	2013.11.11
C	ECN NO.:L140002		Mark	2014.01.02



USB 2.0 MICRO-AB RECEPTACLE AND PLUG MATED CONDITION
Fully mated receptacle and plug



SPECIFICATIONS:

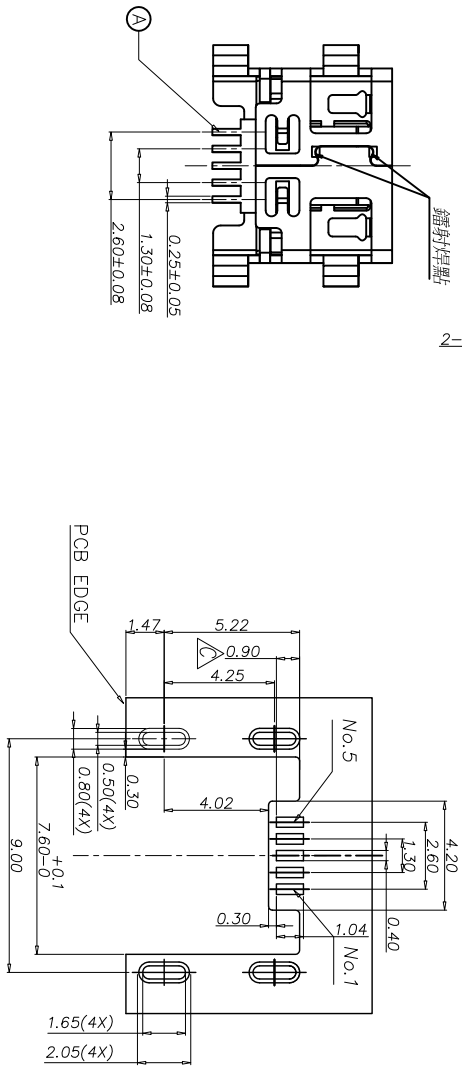
- ELECTRICAL CHARACTERISTICS:
 - CURRENT RATING: 1.8A (PIN 1,5), THE OTHER CONTACT 1.0A MIN.
 - CONTACT RESISTANCE: 30mΩ MAX INITIAL.
 - INSULATION RESISTANCE: 1000MΩ MIN. @ 500V DC.
 - DIELECTRIC WITHSTANDING VOLTAGE: 100V AC FOR 1 MINUTE.
- MECHANICAL CHARACTERISTICS:
 - INSERTION FORCE: 35N MAX.
 - WITHDRAWAL FORCE: 10N MIN. FOR INITIAL, 8N MIN. AFTER LIFE TEST.
- LIFE TEST: 10,000 CYCLES.
- OPERATING TEMPERATURE: -30°C TO +80°C.
- OTHER GENERAL SPEC. TO REFER "2UB1628 SERIES SPEC."
- TO CONFORM TO THE SINGATRON HAZARDOUS SUBSTANCE FREE SPEC.
- HALOGEN FREE PRODUCT IDENTIFICATION LABEL ON PACKAGING.
- PACKAGE: SEE "2UB1628 SERIES" PACKAGE.
- FOR REFLOW SOLDERING LEAD-FREE PROCESS.



PART NO.

2UB1628-200111F

- SUFFIX: HALOGEN FREE
- PACKAGE
- 1: TAPE & REEL
- HOUSING COLOR
- 1: BLACK
- CONTACT PLATING
- 1: GOLD FLASH OVER ALL NICKEL UNDERPLATED OVERALL.



RECOMMENDED PCB LAYOUT (COMPONENT SIDE VIEW)
NOTE: 1. ALL DIMENSION TOLERANCE:±0.05mm
2. UNLESS OTHERWISE SPECIFIED

D	INK	1	HIGH TEMP. THERMO-PLASTIC, UL 94V-0	BLACK
C	HOUSING	1	STAINLESS STEEL	MATTE TIN PLATED
B	SHELL	5	COPPER ALLOY	SEE PART NO.
A	CONTACT			
NO	DESCRIPTION	QTY	MATERIAL	PLATING & COLOR

UNLESS OTHERWISE SPECIFIED TOLERANCES

Singatron Enterprise Co., Ltd.
信音企業股份有限公司

TITLE	DECIMALS:	ANGLES:
USB2.0 MICRO-AB RECEPTACLE, REVERSE, SINKING TRF, C.H=0.02mm	Even	
DWN	±0.5	X: ±2°
CHKD	±0.3	X.X: ±1°
APVD	X.XX	:±0.2

PART NO. 2UB1628-200111F
SCALE 5:1 UNIT: mm
SIZE: A3 SHEET: 1 OF 1 REV: C

CUSTOMER COPY