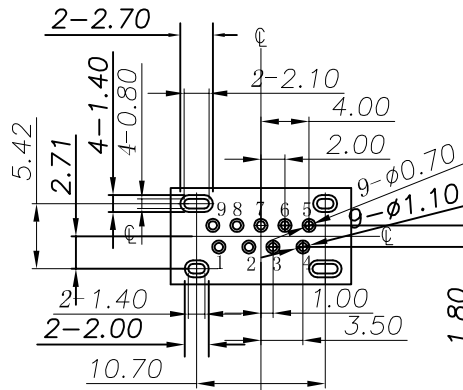
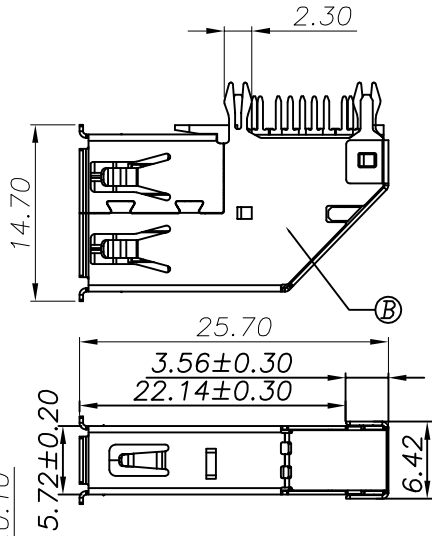


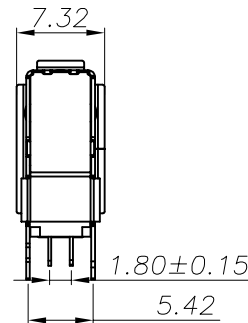
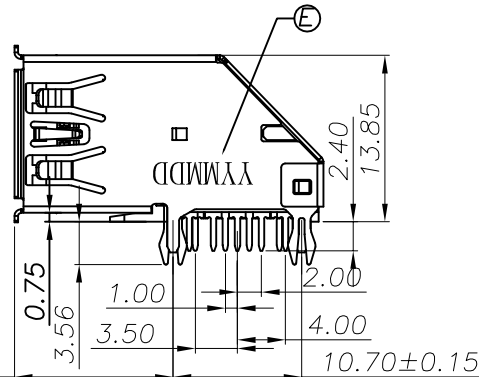
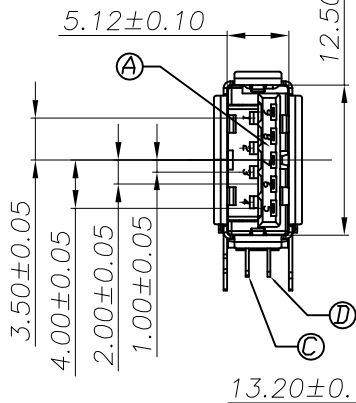
REV.	ECN NO OR DESCRIPTION	REVISED	DATE
A	PDR RELEASE	IVY-C	2016.09.26



PCB LAYOUT (TOP VIEW)
TOLERANCE: ±0.05mm

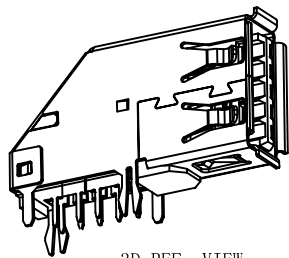
SPECIFICATIONS:

- ELECTRICAL CHARACTERISTICS:**
 - CURRENT RATING: 1.8A (PIN1,4), THE OTHER CONTACTS 0.25A MIN.
 - CONTACT RESISTANCE: 30mΩ MAX.
 - INSULATION RESISTANCE: 100MΩ MIN. @100V DC.
 - DIELECTRIC WITHSTANDING VOLTAGE: 100V AC FOR 1 MINUTE.
- MECHANICAL CHARACTERISTICS:**
 - INSERTION FORCE: 35N MAX.
 - WITHDRAWAL FORCE: 10N MIN. FOR INITIAL, AND 8N MIN. AFTER TEST.
- LIFE TEST: 5,000 CYCLES.
- TEMPERATURE RANGE: -25°C TO +85°C.
- OTHER GENERAL SPEC. TO REFER "2UB1633 SERIES SPEC".
- TO CONFORM TO THE SINGATRON HAZARDOUS SUBSTANCE FREE SPEC.
- HALOGEN FREE PRODUCT IDENTIFICATION LABEL ON PACKAGING:
- PACKAGE: SEE "2UB1633-000112F" PACKAGE.
- FOR REFLOW SOLDERING LEAD-FREE PROCESS.



2UB1633-000112F

- SUFFIX: HALOGEN FREE
- PACKAGE: 2: TAPE & REEL
- HOUSING COLOR: 1: BLUE (PMS 300C)
- CONTACT PLATING: 1: GOLD FLASH ON CONTACT AREA, 100u"Min. MATTE TIN(Sn) PLATING ON SOLDER AREA, 50u"Min. Ni UNDERPLATING OVERALL



3D REF. VIEW

PIN ASSIGNMENT

Pin Number	Signal Name	Pin Number	Signal Name
1	VBUS	5	SSRX-
2	D-	6	SSRX+
3	D+	7	GND
4	GND	8	SSTX-
Shell	Shield	9	SSTX+

E	INK		BLACK
D	CONTACT (3.0)	5	COPPER ALLOY SEE PART NO.
C	CONTACT (2.0)	4	COPPER ALLOY SEE PART NO.
B	SHELL	1	STAINLESS STEEL 50u"Min. Ni PLATED
A	HOUSING	1	LCP UL 94-V0 BLUE (PMS 300C)
NO	DESCRIPTION	QTY	MATERIAL PLATING & COLOR

UNLESS OTHERWISE SPECIFIED TOLERANCES

Singatron Enterprise Co., Ltd.
信音企業股份有限公司

DECIMALS: X ±0.5, X.X ±0.3, X.XX ±0.2
ANGLES: X ±2°, X.X ±1°

TITLE	USB 3.0 A TYPE FEMALE, SIDE VERTICAL, DIP		
DWN	IVY-C 2016.09.26	PART NO.	2UB1633-000112F
CHKD	ANGELA2016.09.26	SCALE:	N/A UNIT: mm
APVD	ANGELA2016.09.26	SIZE:	A3 SHEET: 1 OF 1 REV: A

CUSTOMER COPY