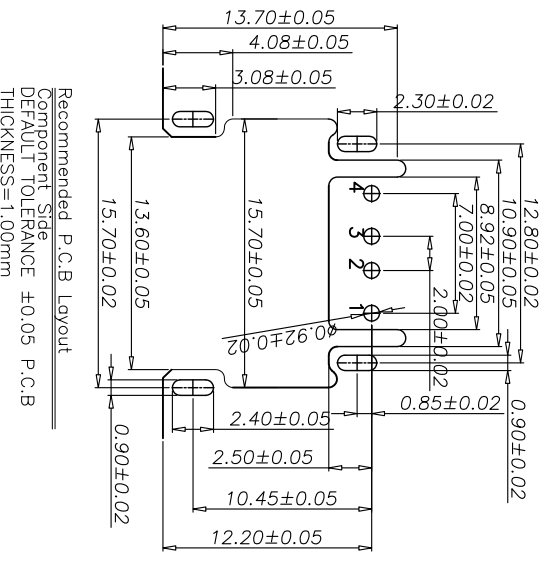
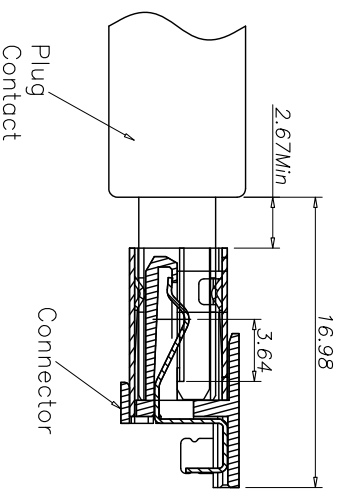
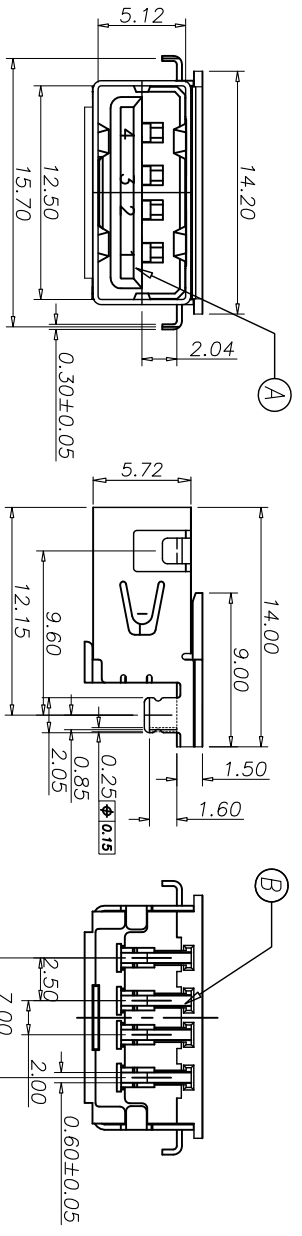
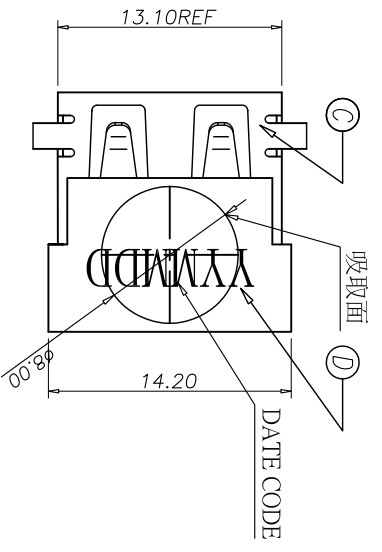


REV.	ECN NO OR PDR RELEASE	DESCRIPTION	REVISED	DATE
A	PDR RELEASE	Even		2013.06.04



SPECIFICATIONS:

1. ELECTRICAL CHARACTERISTICS:
 - 1-1. RATING: 1.5A; 30V.
 - 1-2. CONTACT RESISTANCE: 30mΩ MAX.
 - 1-3. INSULATION RESISTANCE: 1000MΩ MIN. @ 500V DC.
 - 1-4. DIELECTRIC WITHSTANDING VOLTAGE: 500V AC FOR 1 MINUTE.
2. MECHANICAL CHARACTERISTICS:
 - 2-1. INSERTION FORCE: 35N MAX.
 - 2-2. WITHDRAWAL FORCE: 10N MIN.
3. LIFE TEST: 5,000 CYCLES MIN.
4. OPERATING TEMPERATURE: -55°C TO +85°C.
5. OTHER GENERAL SPEC. TO REFER "2UB1555 SERIES SPEC".
6. TO CONFORM TO THE SINGATRON HAZARDOUS SUBSTANCE FREE SPEC.
7. HALOGEN FREE PRODUCT IDENTIFICATION LABEL ON PACKAGING:
8. PACKAGE: SEE "2UB1635 SERIES" PACKAGE.
9. FOR REFLOW SOLDERING LEAD-FREE PROCESS.

PART NO.
2UB1635-000111F

- SUFFIX: HALOGEN FREE
- PACKAGE: 1: TAPE AND REEL
- HOUSING COLOR: 1: BLACK
- CONTACT PLATING: 1: 30u" GOLD PLATED ON CONTACT AREA, TIN ON SOLDER AREA

Recommended P.C.B Layout
Component Side
DEFAULT TOLERANCE ±0.05 P.C.B
THICKNESS=1.00mm

D	INK			
C	SHELL	1	STAINLESS STEEL	BLACK
B	CONTACT	4	COPPER ALLOY	BLACK NICKEL PLATED
A	HOUSING	1	HIGH TEMP. THERMOPLASTIC UL 94V-0	SEE PART NO.
NO	DESCRIPTION	QTY	MATERIAL	BLACK
UNLESS OTHERWISE SPECIFIED TOLERANCES				
Singatron Enterprise Co., Ltd. 信音企業股份有限公司				
TITLE: USB A TYPE FEMALE, REVERSE, R/A/GH=2.04,SINKING				
DECIMALS:	ANGLES:			
X : ±0.5	X : ±2°			
X.X : ±0.3	X.X : ±1°			
X.XX : ±0.2				
DWN	From 2013.06.04	PART NO.	2UB1635-000111F	
CHKD		SCALE	1:1 UNIT: mm	
APVD	NGCEIA 2013.06.04	SIZE:	A3 SHEET: 1 OF 1 REV: A	
CUSTOMER COPY				