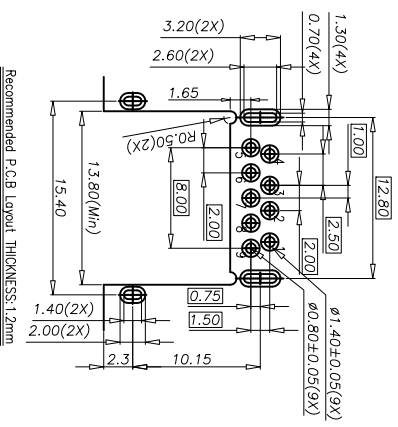
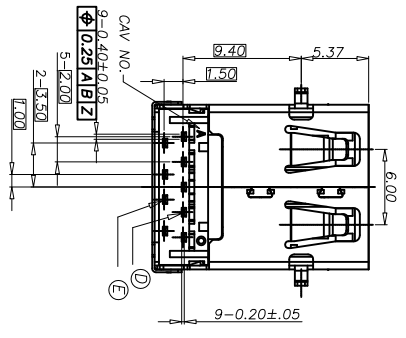
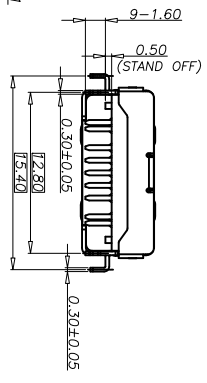
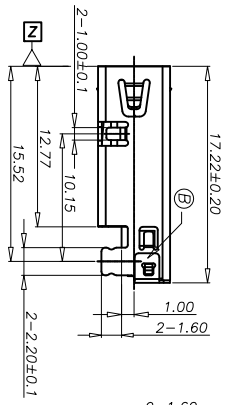
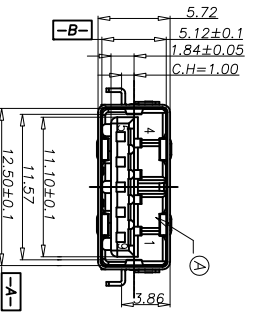
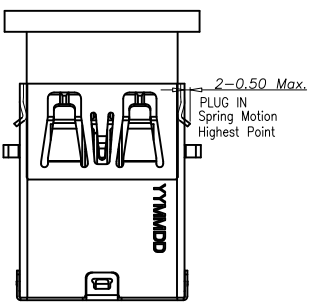
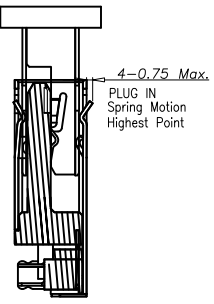
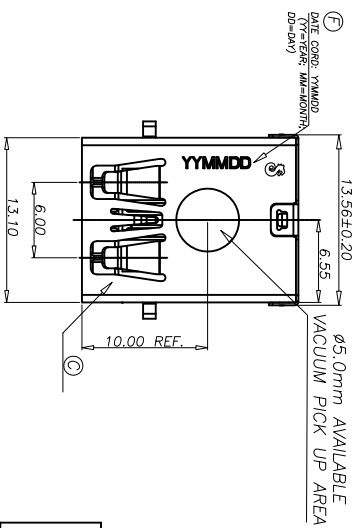
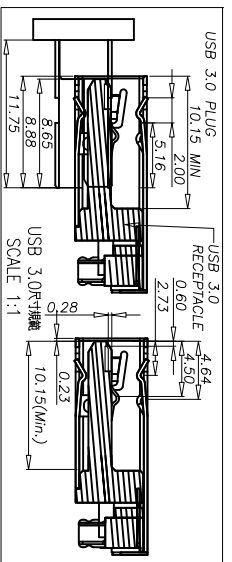


REV.	ECN NO.	OR DESCRIPTION	REVISED	DATE
A	PDR	RELEASE	NY-C	2014.05.29



Pin Number	Signal ASSIGNMENT
PIN 1	VBUS
PIN 2	D-
PIN 3	D+
PIN 4	GND
PIN 5	SID4_SSRX-
PIN 6	SID4_SSRX+
PIN 7	GND_DRAIN
PIN 8	SID4_SSTX-
PIN 9	SID4_SSTX+

F	INK		BLACK
E	4 PIN TERMINAL	C5210-EH	SEE PART NO.
D	5 PIN TERMINAL	C2680-H	SEE PART NO.
C	SHELL	SUS 304	NICKEL
B	COVER	SUS 304	BLUE
A	HOUSING	PA97+45%GF UL94-V0	BLUE
NO	DESCRIPTION	QTY	MATERIAL
UNLESS OTHERWISE SPECIFIED TOLERANCES			
DECIMALS: ANGLES:			
X	:±0.5	X	:±2°
X.X	:±0.3	X.X	:±1°
X.XX	:±0.2		
TITLE: USB 3.0 REVERSE CONNECTOR			
DWN: NY-C-20140529 PART NO. 2UB1637-000121F			
CHKD: SCALE 1:1 UNIT: mm			
APVD: ANSEL20140529 SIZE: A3 SHEET: 1 OF 1 REV: A			
CUSTOMER COPY			

- SPECIFICATIONS:
- ELECTRICAL CHARACTERISTICS:
 - CURRENT RATING: 1.8A (PIN1, 4) ; OTHER CONTACTS 0.25A
 - CURRENT RESISTANCE: 30mΩ MAX
 - LOW LEVEL CONTACT RESISTANCE: 30 mΩ MAX INITIAL FOR VBUS AND GND CONTACTS. 50mΩ MAX INITIAL FOR ALL OTHER CONTACTS
 - DIELECTRIC WITHSTANDING VOLTAGE: 100V AC FOR 1 MINUTE
 - INSULATION RESISTANCE: 100MΩ MIN
 - MECHANICAL CHARACTERISTICS:
 - INSERTION FORCE : 3.5 kgf MAX
 - WITHDRAWAL FORCE : 1.0 kgf Min(INITIAL),0.8 kgf Min(AFTER TEST)
 - DURABILITY: 5,000 CYCLES.
 - OTHER GENERAL SPEC. TO REFER "2UB1637 SERIES SPEC".
 - TO CONFORM TO THE SINGATRON HAZARDOUS SUBSTANCE FREE SPEC.
 - HALOGEN FREE PRODUCT IDENTIFICATION LABEL ON PACKAGING.
 - PACKAGE: SEE "2UB1637 SERIES" PACKAGE.
 - FOR REFLOW SOLDERING LEAD-FREE PROCESS.

PART NO.
2UB1637-000121F

SUFFIX: HALOGEN FREE

PACKAGE

1: TAPE & REEL

HOUSING COLOR

2: BLUE

CONTACT PLATING

1: GOLD FLASH ON MATING AREA,
MATTE Sn 120~200u" ON SOLDERING AREA,
80~150u" NICKEL UNDER PLATING OVERALL

