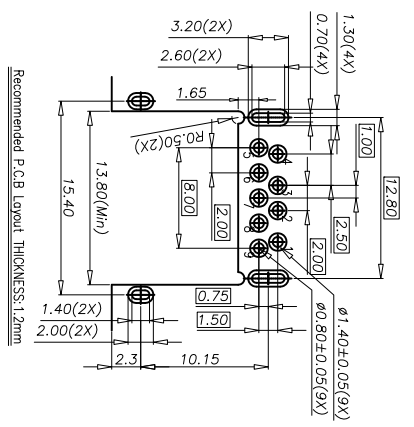
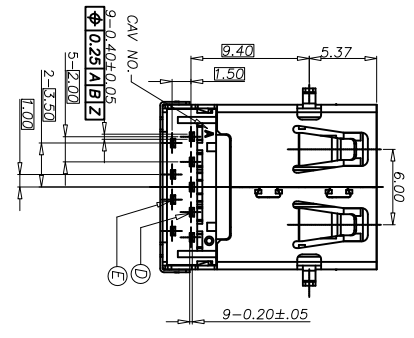
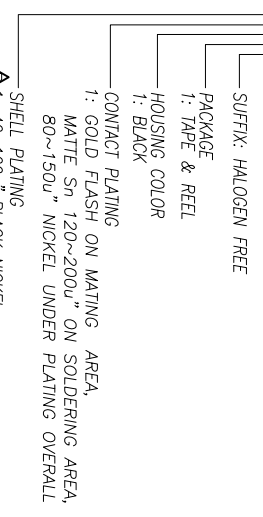
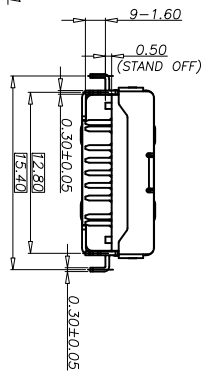
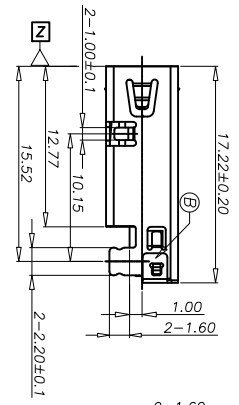
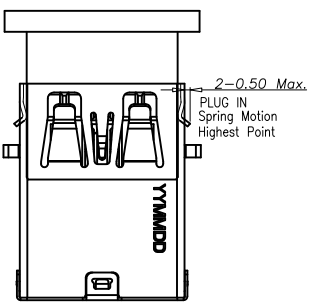
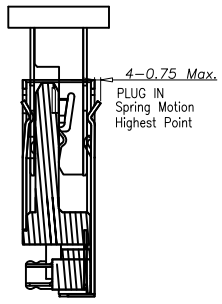
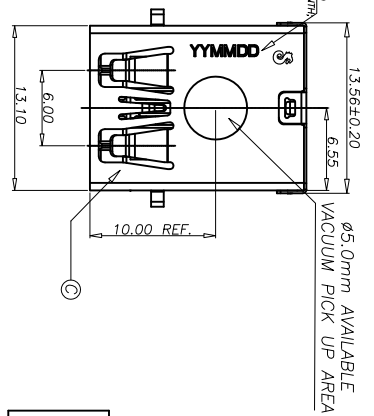
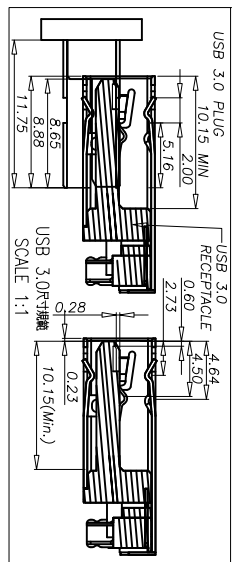


REV.	ECN NO.	OR DESCRIPTION	REVISED	DATE
A	PDR	RELEASE	NY-C	2014.09.01
B	ECN NO.:	140121	NY-C	2014.09.22

SPECIFICATIONS:

- ELECTRICAL CHARACTERISTICS:
 - CURRENT RATING: 2A (PIN1,4) ; OTHER CONTACTS 0.25A
 - CONTACT RESISTANCE: 30mΩ MAX
 - LOW LEVEL CONTACT RESISTANCE: 30 mΩ MAX INITIAL FOR VBUS AND GND CONTACTS. 50mΩ MAX INITIAL FOR ALL OTHER CONTACTS
 - DIELECTRIC WITHSTANDING VOLTAGE: 100V AC FOR 1 MINUTE
 - INSULATION RESISTANCE: 100MΩ MIN
- MECHANICAL CHARACTERISTICS:
 - INSERTION FORCE : 3.5 kgf MAX
 - WITHDRAWAL FORCE : 1.0 kgf Min(INITIAL),0.8 kgf Min(AFTER TEST)
 - DURABILITY: 5,000 CYCLES.
 - OTHER GENERAL SPEC. TO REFER "2UB1637-001111F SPEC".
 - TO CONFORM TO THE SINGATRON HAZARDOUS SUBSTANCE FREE SPEC.
 - HALOGEN FREE PRODUCT IDENTIFICATION LABEL ON PACKAGING.
 - PACKAGE: SEE "2UB1637-001111F" PACKAGE.
 - FOR REFLOW SOLDERING LEAD-FREE PROCESS.



Recommended P.C.B Layout THICKNESS: 1.2mm

Pin Number	Signal ASSIGNMENT
PIN 1	VBUS
PIN 2	D-
PIN 3	D+
PIN 4	GND
PIN 5	SID4_SSRX-
PIN 6	SID4_SSRX+
PIN 7	GND_DRAIN
PIN 8	SID4_SSTX-
PIN 9	SID4_SSTX+

F	INK	BLACK
E	4 PIN TERMINAL	SEE PART NO.
D	5 PIN TERMINAL	SEE PART NO.
C	SHELL	40~100u" BLACK NICKEL
B	COVER	SUS 304
A	HOUSING	PA9T+45% GF UL94-V0
NO	DESCRIPTION	MATERIAL
UNLESS OTHERWISE SPECIFIED TOLERANCES		
DECIMALS: ANGLES:		
X	:±0.5	X :±2°
X,X	:±0.3	X,X :±1°
X,XX	:±0.2	
TITLE: USB 3.0 REVERSE CONNECTOR		
DWN: INC-20140922 PART NO. 2UB1637-001111F		
CHKD: SCALE 1:1 UNIT: mm		
APVD: ANSEL20140922 SIZE: A3 SHEET: 1 OF 1 REV: B		
CUSTOMER COPY		

Singatron Enterprise Co., Ltd.
信音企業股份有限公司