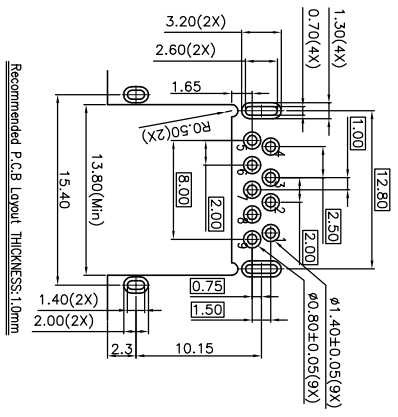
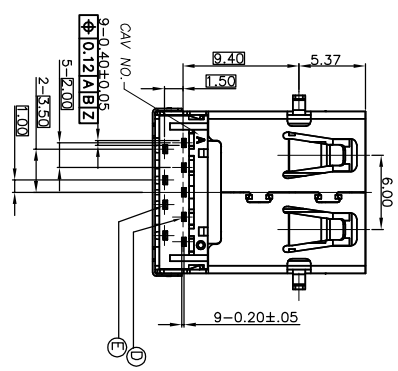
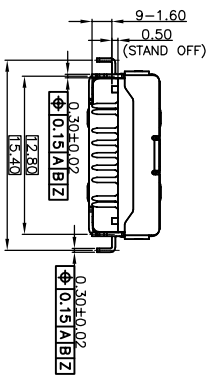
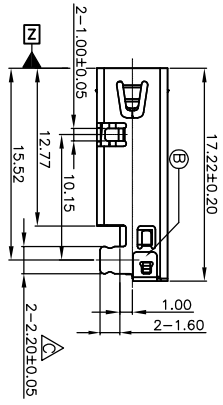
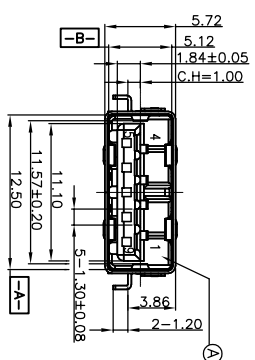
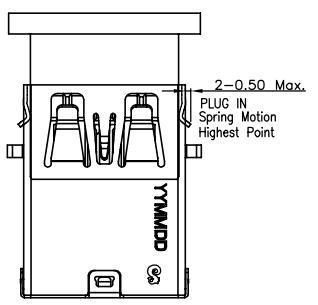
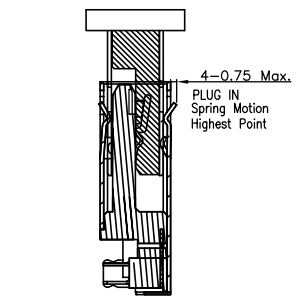
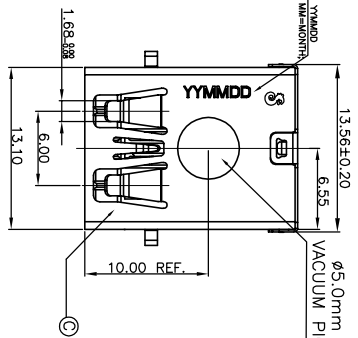
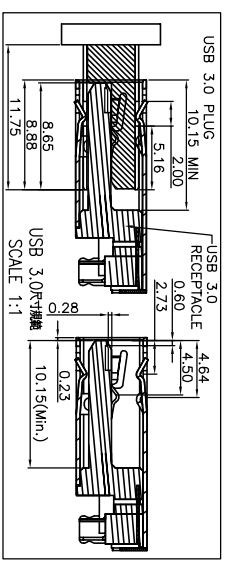
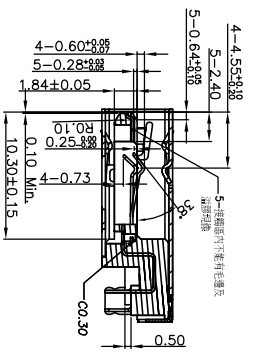
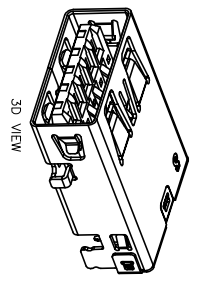


DATE CORP. YMMDD
(DATE OF MANUFACTURE)
Ø5.0mm AVAILABLE
VACUUM PICK UP AREA



Recommended P.C.B Layout THICKNESS:1.0mm



- SPECIFICATIONS:
- ELECTRICAL CHARACTERISTICS:
 - CURRENT RATING: 2A (PIN1,4) ; OTHER CONTACTS 0.25A
 - CONTACT RESISTANCE: 30mΩ MAX.
 - DIELECTRIC WITHSTANDING VOLTAGE: 100V AC FOR 1 MINUTE
 - INSULATION RESISTANCE: 100MΩ MIN
 - MECHANICAL CHARACTERISTICS:
 - INSERTION FORCE : 3.5 Kgf MAX
 - WITHDRAWAL FORCE : 1.0 Kgf Min(INITIAL),0.8 Kgf Min(AFTER TEST)
 - DURABILITY: 5,000 CYCLES.
 - OTHER GENERAL SPEC. TO REFER "2UB1637-003211F SPEC".
 - TO CONFORM TO THE SINGATRON HAZARDOUS SUBSTANCE FREE SPEC.
 - HALOGEN FREE PRODUCT IDENTIFICATION LABEL ON PACKAGING.
 - PACKAGE: SEE "2UB1637-003211F" PACKAGE.
 - FOR REFLOW SOLDERING LEAD-FREE PROCESS.

PART NO.
2UB1637-003211F

- CENTER HEIGHT 0: 1mm
- LEG LENGTH 0: 1.6mm
- SHELL WIDTH/PLATING 3: 1.8mm/BLACK NICKEL
- SUFFIX: HALOGEN FREE
- PACKAGE 1: TAPE & REEL
- HOUSING COLOR 1: BLACK
- CONTACT PLATING 2 30u" Au PLATING ON MATING AREA,, MATTE Sn 60u"Min. ON SOLDERING AREA, 50u"Min NICKEL UNDER PLATING OVERALL

Pin Number	Signal ASSIGNMENT				
PIN 1	VBUS	D	4 PIN TERMINAL	4	C6210-EH, 0.2t
PIN 2	D-	C	5 PIN TERMINAL	5	C2680-H, 0.2t
PIN 3	D+	B	SHELL	1	SUS 304, 0.3t
PIN 4	GND	A	COVER	1	SUS 304, 0.2t
PIN 5	SIGNAL_SSRX-	NO	HOUSING	1	PA9T+45% GF,U94-V0
PIN 6	SIGNAL_SSRX+	UNLESS OTHERWISE SPECIFIED TOLERANCES	DESCRIPTION	QTY	MATERIAL
PIN 7	GND_DRAIN	DECIMALS:	UNLESS OTHERWISE SPECIFIED TOLERANCES	TITLE	USB 3.0 REVERSE CONNECTOR
PIN 8	SIGNAL_SSTRX-	ANGLES:	DECIMALS:	DMW	IPC-C 2020(05.23) PART NO. 2UB1637-003211F
PIN 9	SIGNAL_SSTRX+	X.XX :±0.2	X.XX :±0.3	CHKD	ANCEJL2020(05.23) SCALE 1:1 UNIT: mm
		X.XX :±0.2	X.XX :±1'	APVD	ANCEJL2020(05.23) SIZE: A3 SHEET:1 OF 1 REV: C

Singatron Enterprise Co., Ltd.
信登企業股份有限公司

CUSTOMER COPY