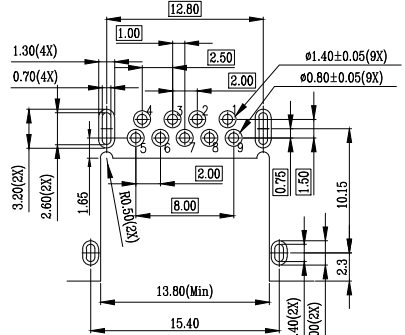
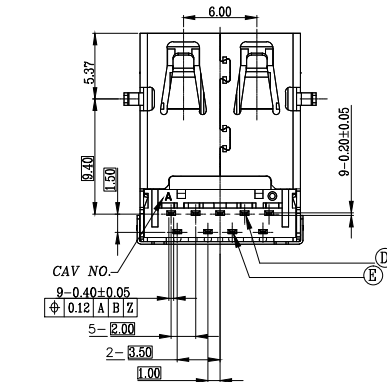
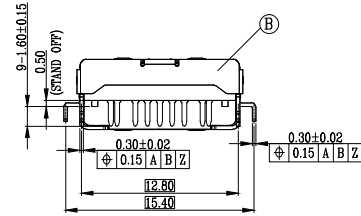
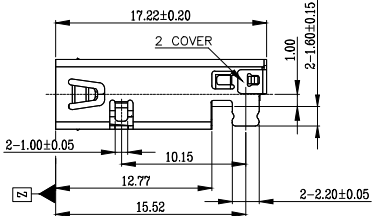
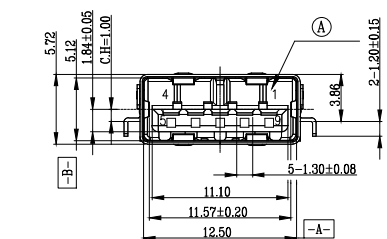
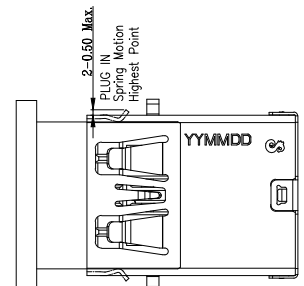
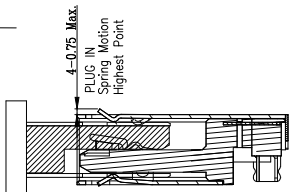
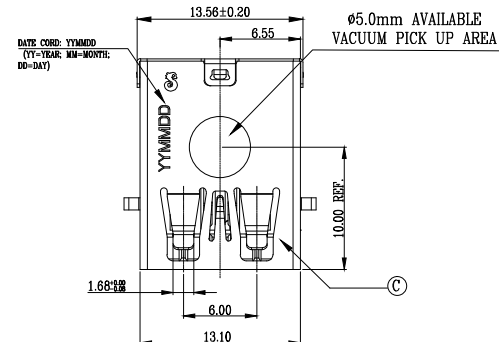
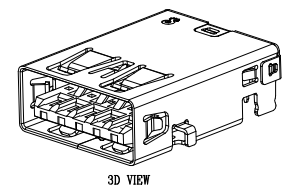


REV.	ECN NO OR DESCRIPTION	REVISED	DATE
A	PDR RELEASE	EVEN	2021.12.23



Recommended P.C.B Layout THICKNESS: 1.0mm



Pin Number	Signal ASSIGNMENT
PIN 1	VBUS
PIN 2	D-
PIN 3	D+
PIN 4	GND
PIN 5	StdA_SSRX-
PIN 6	StdA_SSRX+
PIN 7	GND_DRAIN
PIN 8	StdA_SSTX-
PIN 9	StdA_SSTX+

- SPECIFICATIONS:
- ELECTRICAL CHARACTERISTICS:
 - CURRENT RATING: 2A (PIN1,4) ; OTHER CONTACTS 0.25A
 - CONTACT RESISTANCE: 30mΩ MAX.
 - DIELECTRIC WITHSTANDING VOLTAGE: 300V AC FOR 1 MINUTE
 - INSULATION RESISTANCE: 100MΩ MIN
 - MECHANICAL CHARACTERISTICS:
 - INSERTION FORCE : 3.5 Kgf MAX
 - WITHDRAWAL FORCE : 1.0~3.5 Kgf(INITIAL) ,0.8~3.5 Kgf(AFTER TEST)
 - DURABILITY: 5,000 CYCLES.
 - OTHER GENERAL SPEC. TO REFER "2UB1637-004111F SPEC".
 - TO CONFORM TO THE SINGATRON HAZARDOUS SUBSTANCE FREE SPEC.
 - HALOGEN FREE PRODUCT IDENTIFICATION LABEL ON PACKAGING:
 - PACKAGE: SEE "2UB1637-004111F" PACKAGE.
 - FOR REFLOW SOLDERING LEAD-FREE PROCESS.

PART NO. 2UB1637-004111F

- SUFFIX: HALOGEN FREE
- PACKAGE: 1: TAPE & REEL
- HOUSING COLOR: 1: BLACK
- CONTACT PLATING: 1: GOLD FLASH(1~3u") ON MATING AREA, MATTE Sn 60u" MIN. ON SOLDERING AREA, 50u" MIN. NICKEL UNDER PLATING OVERALL

E	4 PIN TERMINAL	4	C5210	SEE PART NO.
D	5 PIN TERMINAL	5	C2680	SEE PART NO.
C	SHELL	1	SUS 304	50u" MIN. NICKEL
B	COVER	1	SUS 304	
A	HOUSING		PA9T+45% GF UL94-V0	BLACK
NO	DESCRIPTION	QTY	MATERIAL	PLATING & COLOR

UNLESS OTHERWISE SPECIFIED TOLERANCES			
DECIMALS: ANGLES:		TITLE: USB 3.0 REVERSE CONNECTOR	
X : ±0.5	X : ±2°	DWN	EVEN 2021.12.23 PART NO. 2UB1637-004111F
X.X : ±0.3	X.X : ±1°	CHKD	SCALE 1:1 UNIT: mm
X.XX : ±0.2		APVD	ANGELA2021.12.23 SIZE: A3 SHEET: 1 OF 1 REV:A
CUSTOMER COPY			

