
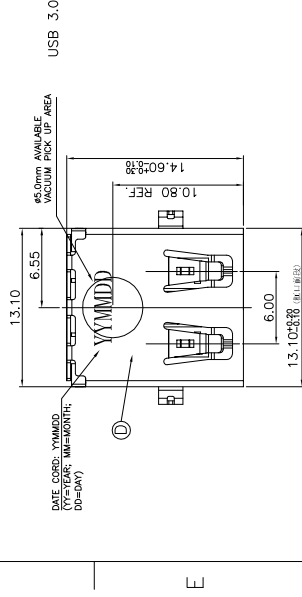
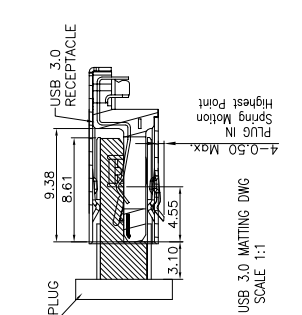
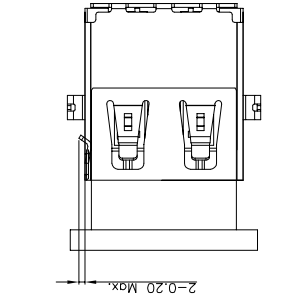


REV. ECN NO OR DESCRIPTION	REVISED	DATE
A PDR RELEASE	EVEN	2018.12.17

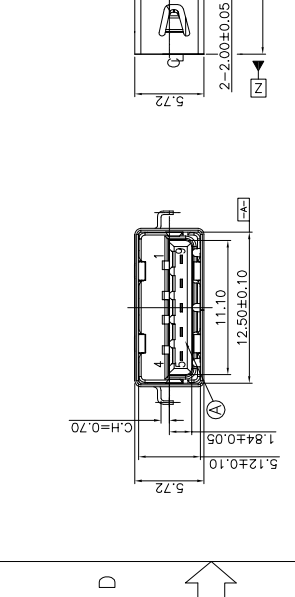
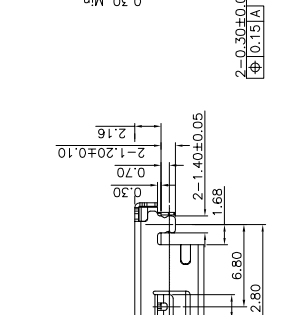
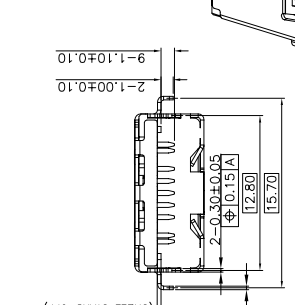
1 2 3 4 5 6 7 8

SPECIFICATIONS:

- ELECTRICAL CHARACTERISTICS:
 - CURRENT RATING: 1.8A (PIN1,4) ; OTHER CONTACTS 0.25A
 - CONTACT RESISTANCE: 30mΩ MAX.
 - DILECTRIC WITHSTANDING VOLTAGE: 300V AC FOR 1 MINUTE
 - INSULATION RESISTANCE: 100MΩ MIN
- MECHANICAL CHARACTERISTICS:
 - INSERTION FORCE : 3.5 Kgf MAX
 - WITHDRAWAL FORCE : 1.0~2.5 Kgf (INITIAL)
 - DURABILITY: 5,000 CYCLES.
 - TO CONFORM TO SINGATRON HAZARDOUS SUBSTANCE FREE SPEC.
- HALOGEN FREE PRODUCT IDENTIFICATION LABEL ON PACKAGING: 
- FOR REFLOW SOLDERING LEAD-FREE PROCESS.
- PACKAGING : TAPE & REEL. SEE "2UB1646-001111F" PACKAGE.
- OTHER SPEC TO REFER 2UB1646-001111F SPEC.



DATE CORR. Y/M/D
(YY-YEAR; MM-MONTH; DD-DAY)



Pin Number	Signal ASSIGNMENT
PIN 1	VBUS
PIN 2	D-
PIN 3	D+
PIN 4	GND
PIN 5	Stda_SSRX-
PIN 6	Stda_SSRX+
PIN 7	GND_DRAIN
PIN 8	Stda_SSTX-
PIN 9	Stda_SSTX+

NO	DESCRIPTION	QTY	MATERIAL	PLATING & COLOR
D	SHELL	1	SUS304 0.3T	NICKEL 50μ MIN
C	4P TERMINAL	4	C5210-EH 0.2T	Au 30μ ON CONTACT AREA, WHITE TIN 60~150μ ON SOLDER TAIL ALL OVER 80~150μ NICKEL PLATED
B	5P TERMINAL	5	C2680-EH 0.2T	BLACK
A	HOUSING	1	LCP E130: UL94-V0	BLACK

UNLESS OTHERWISE SPECIFIED TOLERANCES	Singatron Enterprise Co., Ltd.
DECIMALS:	TITLE USB3.0 CONNECTOR
X :±0.5	DWN 2018.12.17
X.X :±0.3	APVD 2018.12.17
X.XX :±0.2	CHKD

REV. ECN NO OR DESCRIPTION	REVISED	DATE
A PDR RELEASE	EVEN	2018.12.17

NO	DESCRIPTION	QTY	MATERIAL	PLATING & COLOR
D	SHELL	1	SUS304 0.3T	NICKEL 50μ MIN
C	4P TERMINAL	4	C5210-EH 0.2T	Au 30μ ON CONTACT AREA, WHITE TIN 60~150μ ON SOLDER TAIL ALL OVER 80~150μ NICKEL PLATED
B	5P TERMINAL	5	C2680-EH 0.2T	BLACK
A	HOUSING	1	LCP E130: UL94-V0	BLACK

UNLESS OTHERWISE SPECIFIED TOLERANCES	Singatron Enterprise Co., Ltd.
DECIMALS:	TITLE USB3.0 CONNECTOR
X :±0.5	DWN 2018.12.17
X.X :±0.3	APVD 2018.12.17
X.XX :±0.2	CHKD