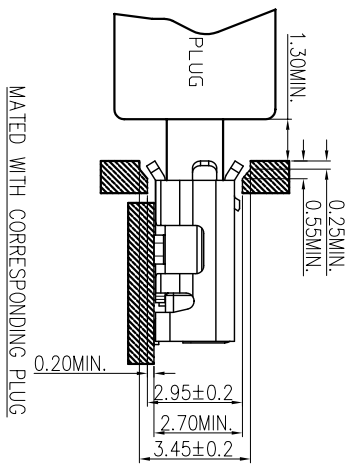
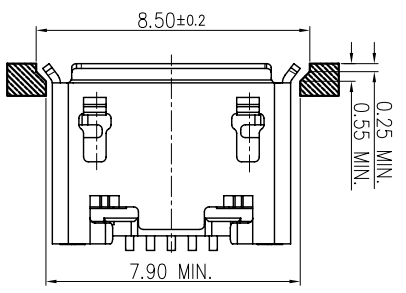
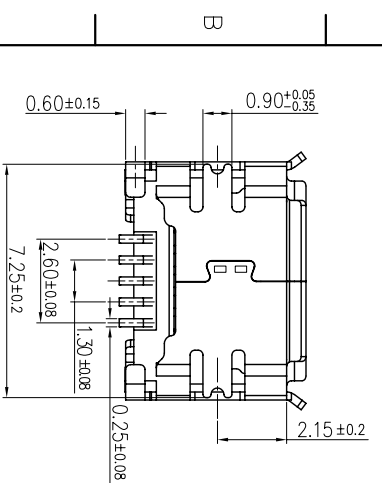
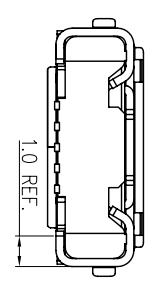
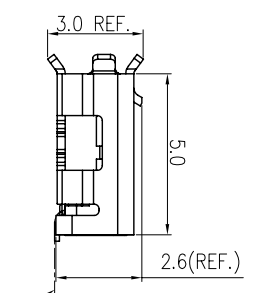
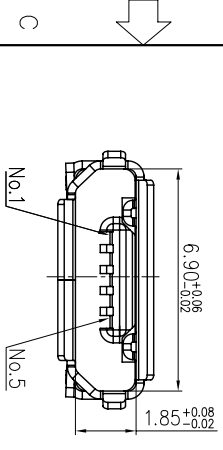


RECOMMENDED FPC LAYOUT  
TOLERANCE (TOP VIEW) ±0.05mm



REV.	ECN NO OR DESCRIPTION	REVISED	DATE
A	PDR NO: T141205-4A	IVY-C	2015.11.03
B	ECN NO.: C180083	Cheney	2019.05.28
C	ECN NO.: C190806	Cheney	2019.08.20

- SPECIFICATIONS:
1. ELECTRICAL CHARACTERISTICS:
- 1-1. CURRENT RATING: 1.8A (PIN1/5), 0.5A (PIN2/3/4)
  - 1-2. CONTACT RESISTANCE: 30mΩ (INITIAL), 40mΩ (AFTER LIFE TEST)
  - 1-3. DIELECTRIC WITHSTANDING VOLTAGE: 500V AC FOR ONE MINUTE.
  - 1-4. INSULATION RESISTANCE: 1,000M Ω MIN. AT 500V DC
2. MECHANICAL CHARACTERISTICS:
- 2-1. INSERTION FORCE: 3.6KGF MAXIMUM
  - 2-2. WITHDRAWAL FORCE: 0.8KGF MIN.(REF.)
  - 2-3. LIFE TEST: 10,000 CYCLES MIN.
3. ENVIRONMENTAL CHARACTERISTICS:
- 3-1. SALT MIST TEST CONDITION: PER IEC 68-2-52, SEVERITY(3)
  - 3-2. OPERATING TEMPERATURE: -30~+80°C
  - 3-3. TO CONFORM TO SINGATRON HAZARDOUS SUBSTANCE FREE SPEC.
  - 3-4. HALOGEN FREE PRODUCT IDENTIFICATION MARK: ©
  - 3-5. HALOGEN FREE PRODUCT IDENTIFICATION LABEL ON PACKAGING: ©
4. OTHER GENERAL SPEC. TO REFER "2UB1676-000111F SPEC".
- PART NO: 2UB1676-000111F

- SUFFIX: HALOGEN FREE
- PACKAGE
- TAPE & REEL
- HOUSING COLOR
- BLACK
- CONTACT PLATING
- 1: CONTACT
- Au 30u" ON CONTACT AREA
- Gold Flash ON SOLDERING AREA,
- 30u" MIN. NICKEL UNDER PLATING OVERALL

C	SHELL	1	SUS 304	MATTE TIN
B	TERMINAL	5	BRASS	SEE PART NO.
A	HOUSING	1	LCP UL 94V-0	BLACK
NO	DESCRIPTION	QTY	MATERIAL	PLATING & COLOR

UNLESS OTHERWISE SPECIFIED TOLERANCES

DECIMALS: ANGLES:

X : ±0.5 X : ±2°  
 X.X : ±0.3 X.X : ±1°  
 X.XX : ±0.2

Singatron Enterprise Co., Ltd.  
 信登企業股份有限公司

TITLE: MICRO USB 5P B TYPE CONNECTOR

DWN: Part No. 2UB1676-000111F  
 CHKD: SCALE 1:1 UNIT: mm  
 APVD: SIZE: A3 SHEET: 1 OF 1 REV: C

CUSTOMER COPY

1 2 3 4 5 6 7 8