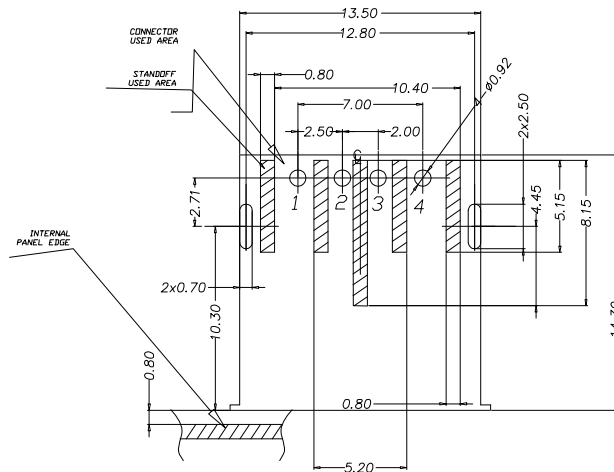
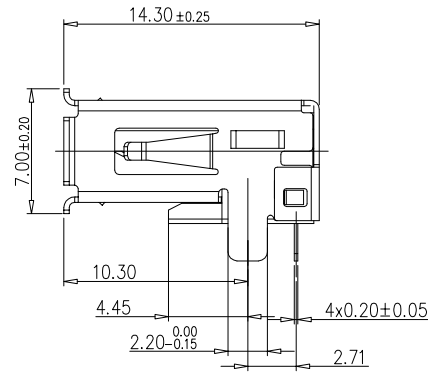
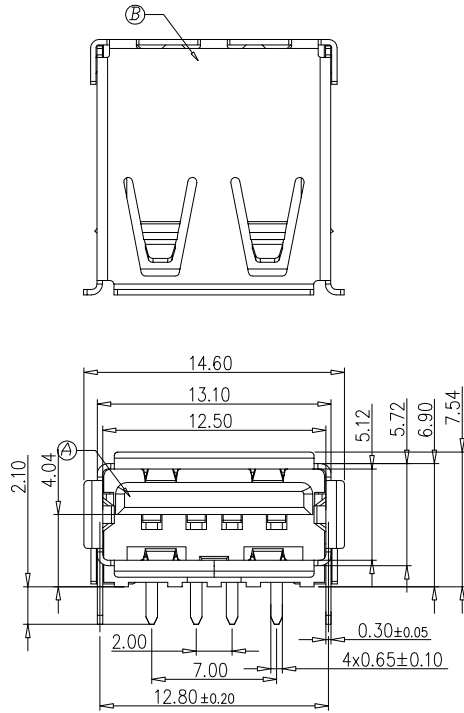



REV.	ECN NO OR DESCRIPTION	REVISED	DATE
A	PDR RELEASE	IVY-C	2016.07.12



RECOMMENDED P.C.B. LAYOUT T=1.60
TOP VIEW (TOLRANCE: ±0.05)

SPECIFICATIONS:

- ELECTRICAL CHARACTERISTICS:
 - CURRENT RATING: 1.5 Amperes for pin1&pin4.
 - CONTACT RESISTANCE: 30mΩ MAX.
 - INSULATION RESISTANCE: 1000MΩ MIN. @ 500V DC.
 - DIELECTRIC WITHSTANDING VOLTAGE: 500V AC FOR 1 MINUTE.
- MECHANICAL CHARACTERISTICS:
 - INSERTION FORCE: 35N MAX.
 - WITHDRAWAL FORCE: 10N MIN.
- LIFE TEST: 1,500 CYCLES.
- TEMPERATURE RANGE: -55°C TO +85°C.
- TO CONFORM TO THE SINGATRON HAZARDOUS SUBSTANCE FREE SPEC.
- HALOGEN FREE PRODUCT IDENTIFICATION LABEL ON PACKAGING: 
- PACKAGE: SEE "2UB1682 SERIES" PACKAGE.
- FOR REFLOW SOLDERING LEAD-FREE PROCESS.
- OTHER GENERAL SPEC. TO REFER "2UB1682-000111F SPEC".

PART NO.

2UB1682-000111F

- SUFFIX: HALOGEN FREE
- PACKAGE: 1: TAPE & REEL
- HOUSING COLOR: 1: BLACK
- CONTACT PLATING: 1: GOLD FLASH ON CONTACT AREA, TIN ON SOLDER AREA

C	CONTACT	4	BRASS	SEE PART NO.
B	SHELL	1	SUS 201	NICKEL PLATED
A	HOUSING	1	LCP UL 94V-0	BLACK

NO	DESCRIPTION	QTY	MATERIAL	PLATING & COLOR
UNLESS OTHERWISE SPECIFIED TOLERANCES		 Singatron Enterprise Co., Ltd.  信音企業股份有限公司		

DECIMALS:	ANGLES:	TITLE	USB 2.0 A TYPE FEMALE, R/A, DIP	
X : ±0.5	X : ±2°	DWN	IVY-C 2016.07.12	PART NO. 2UB1682-000111F
XX : ±0.3	XX : ±1°	CHKD	ANGELA2016.07.12	SCALE 1:1 UNIT: mm
XXX : ±0.2		APVD	ANGELA2016.07.12	SIZE: A3 SHEET: 1 OF 1 REV: A

CUSTOMER COPY