
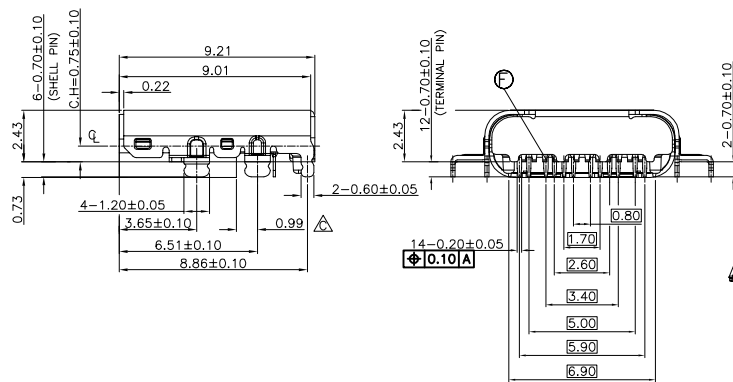
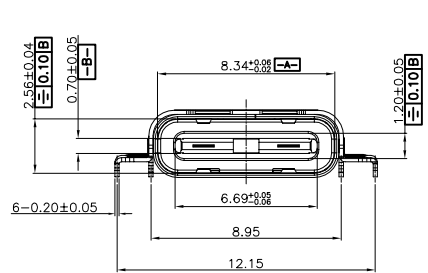
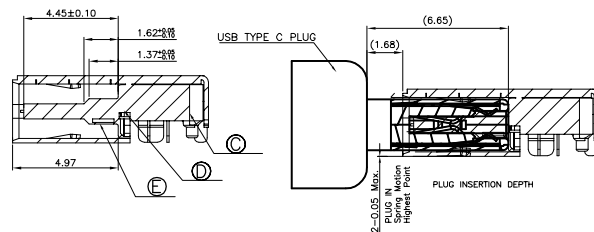
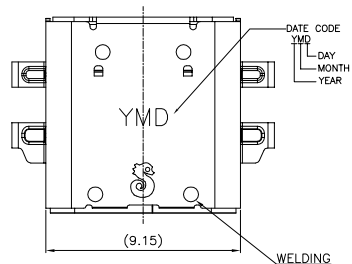


REV.	ECN NO OR DESCRIPTION	REVISED	DATE
A	PDR RELEASE	IVY-C	2016.09.14
B	ECN NO: L160127	Even	2016.10.24
C	ECN NO: L160148	IVY-C	2017.01.11

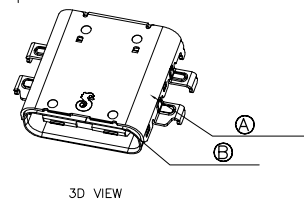
SPECIFICATIONS:

- ELECTRICAL CHARACTERISTICS:
  - CURRENT RATING: 3.0A
  - VOLTAGE RATING: 5.0 V
  - LLCR: VBUS& GND PINS: 40mΩ/PIN MAX  
OTHER PINS : 40mΩ/PIN MAX  
LLCR MAX. CHANGE OF ALL PINS: 10mΩ
  - INSULATION RESISTANCE: 100MΩ MIN
- MECHANICAL CHARACTERISTICS:
  - INSERTION FORCE: 0.5~2.0kg.
  - WITHDRAWAL FORCE: 0.8~2.0kg.(INITIAL) 0.6~2.0kg.(AFTER LIFE TEST)
- DURABILITY: 10,000 CYCLES.
- TO CONFORM TO THE SINGATRON HAZARDOUS SUBSTANCE FREE SPEC.
- HALOGEN FREE PRODUCT IDENTIFICATION LABEL ON PACKAGING: 
- PACKAGE: SEE "2UB1688-C00111F" PACKAGE.
- FOR REFLOW SOLDERING LEAD-FREE PROCESS.
- OTHER GENERAL SPEC. TO REFER "2UB1678-C10111F SPEC".

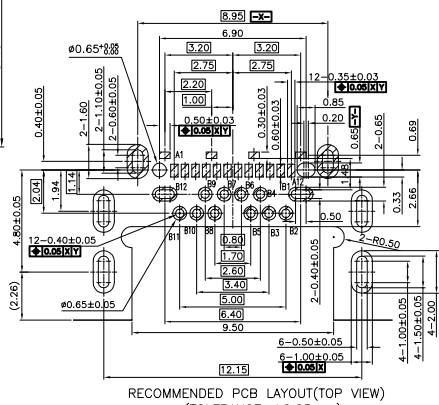
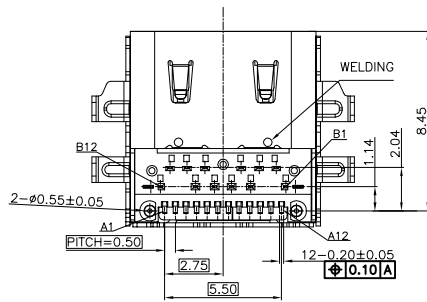


PART NO.  
2UB1688-C00111F

- SUFFIX: HALOGEN FREE
- PACKAGE: 1: TAPE & REEL
- HOUSING COLOR: 1: BLACK
- CONTACT PLATING: 1: 30u" Au ON MATING AREA, MATTE Sn 60~150u" ON SOLDERING AREA, 80~150u" NICKEL UNDER PLATING OVERALL



3D VIEW




RECOMMENDED PCB LAYOUT(TOP VIEW)  
(TOLERANCE=±0.05mm)

USB TYPE-C PIN ASSIGNMENTS:

A12	GND	B1	GND
A11	SSRXp2	B2	SSTXp2
A10	SSRXn2	B3	SSTXn2
A9	VBUS	B4	VBUS
A8	SBU1	B5	CC2
A7	Dn1	B6	Dp2
A6	Dp1	B7	Dn2
A5	CC1	B8	SBU2
A4	VBUS	B9	VBUS
A3	SSTXn1	B10	SSRXn1
A2	SSTXp1	B11	SSRXp1
A1	GND	B12	GND

PIN	SIGNAL NAME	PIN	SIGNAL NAME
A12	GND	B1	GND
A11	SSRXp2	B2	SSTXp2
A10	SSRXn2	B3	SSTXn2
A9	VBUS	B4	VBUS
A8	SBU1	B5	CC2
A7	Dn1	B6	Dp2
A6	Dp1	B7	Dn2
A5	CC1	B8	SBU2
A4	VBUS	B9	VBUS
A3	SSTXn1	B10	SSRXn1
A2	SSTXp1	B11	SSRXp1
A1	GND	B12	GND

F	TERMINAL	24	C19400-H	SEE PART NO.
E	RFI PAD	2	SUS 301-H	NICKEL PLATED 50u"MIN.
D	SIGNAL	1	SUS 301-H	NICKEL PLATED 50u"MIN.
C	HOUSING	1	LCP UL 94V-0	BLACK
B	INNER SHELL	1	SUS 301-1/2H	NICKEL PLATED 50u"MIN.
A	OUTSIDE SHELL	1	SUS 301-1/2H	MATTE Sn 60~200u" ON SOLDERING AREA, NICKEL UNDERPLATED 50u"MIN.
NO		QTY	MATERIAL	PLATING & COLOR
			 Singatron Enterprise Co., Ltd. 信音企業股份有限公司	
UNLESS OTHERWISE SPECIFIED TOLERANCES			DECIMALS:    ANGLES: X    :±0.5    X    :±2° X.X    :±0.3    X.X    :±1° X.XX    :±0.2	
			TITLE: USB TYPE C , Mid-mount(CH=0.75mm)	
			DWN: NY-C 2017.01.11 PART NO. 2UB1688-C00111F	
			CHKD: ANGEL2017.01.11 SCALE 1:1 UNIT: mm	
			APVD: ANGEL2017.01.11 SIZE: A3 SHEET: 1 OF 1 REV: C	
CUSTOMER COPY				