

REV.	ECN NO OR DESCRIPTION	REVISED	DATE
A	PDR RELEASE	IVY-C	2016.09.14

SPECIFICATIONS:

1. ELECTRICAL CHARACTERISTICS:

- 1-1. CURRENT RATING: 3.0A
- 1-2. VOLTAGE RATING: 5.0 V
- 1-3. LLCR: VBUS & GND PINS: 40mΩ/PIN MAX

OTHER PINS : 40mΩ/PIN MAX
LLCR MAX. CHANGE OF ALL PINS: 10mΩ

- 1-4. INSULATION RESISTANCE: 100MΩ MIN

2. MECHANICAL CHARACTERISTICS:

- 2-1. INSERTION FORCE: 0.5~2.0kg.
- 2-2. WITHDRAWAL FORCE: 0.8~2.0kg.(INITIAL) 0.6~2.0kg.(AFTER LIFE TEST)

3. DURABILITY: 10,000 CYCLES.

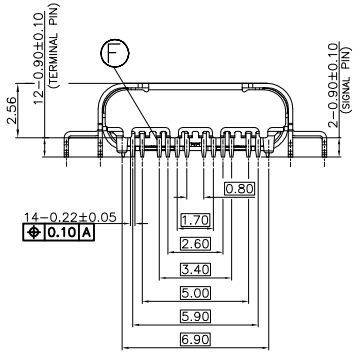
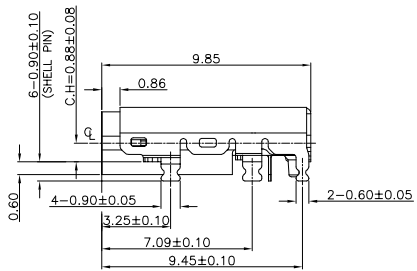
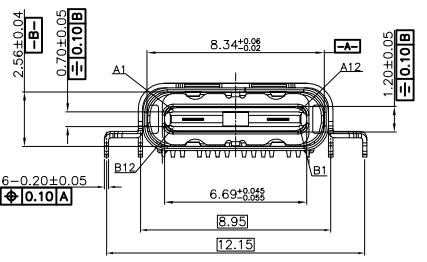
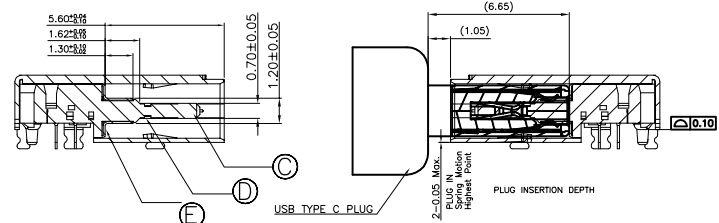
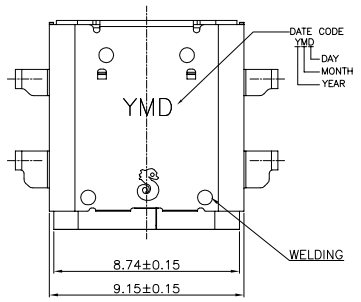
4. TO CONFORM TO THE SINGATRON HAZARDOUS SUBSTANCE FREE SPEC.

5. HALOGEN FREE PRODUCT IDENTIFICATION LABEL ON PACKAGING: 

6. PACKAGE: SEE "2UB1692-C00111F" PACKAGE.

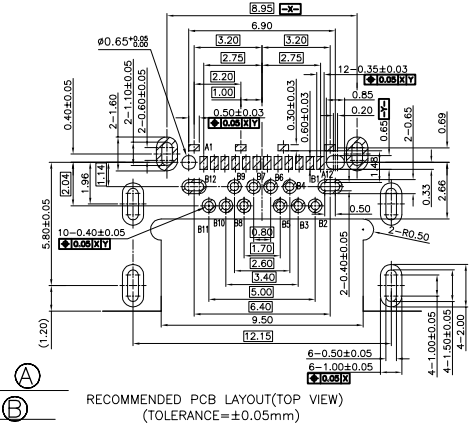
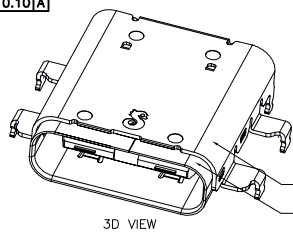
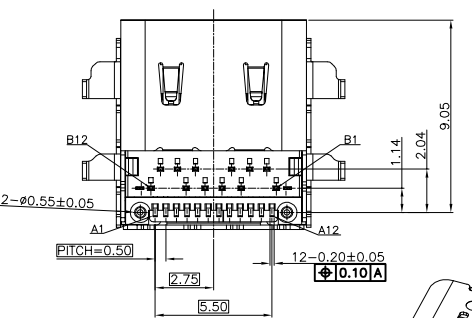
7. FOR REFLOW SOLDERING LEAD-FREE PROCESS.



8. OTHER GENERAL SPEC. TO REFER "2UB1692-C00111F SPEC".



PART NO.
2UB1692-C00111F

- SUFFIX: HALOGEN FREE
- PACKAGE
1: TAPE & REEL
- HOUSING COLOR
1: BLACK
- CONTACT PLATING
1: 30u" Au ON MATING AREA,
MATTE Sn 60~150u" ON SOLDERING AREA,
80~150u" NICKEL UNDER PLATING OVERALL



F	TERMINAL	24	C19400	SEE PART NO.
E	RFI PAD	2	SUS316	NICKEL
D	SIGNAL	1	SUS301	NICKEL
C	HOUSING	1	LCP UL 94V-0	BLACK
B	INNER SHELL	1	SUS301	NICKEL
A	OUTSIDE SHELL	1	SUS301	NICKEL
NO	DESCRIPTION	QTY	MATERIAL	PLATING & COLOR
UNLESS OTHERWISE SPECIFIED TOLERANCES			 Singatron Enterprise Co., Ltd.  信音企業股份有限公司	
DECIMALS:	ANGLES:	TITLE USB TYPE C , Mid-mount(CH=0.88mm)		
X :±0.5	X :±2°	DWN	IVY-C 2016.09.14	PART NO. 2UB1692-C00111F
XX :±0.3	XX :±1°	CHKD	ANGELA2016.09.14	SCALE 1:1 UNIT: mm
XX.XX :±0.2		APVD	ANGELA2016.09.14	SIZE: A3 SHEET:1 OF 1 REV: A
CUSTOMER COPY				