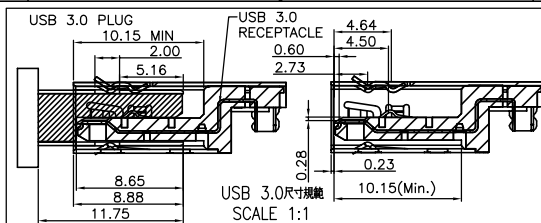


REV.	ECN NO OR DESCRIPTION	REVISED	DATE
A	PDR RELEASE	IVY-C	2016.05.27

DATE CODE: YYMMDD
(YY=YEAR; MM=MONTH;
DD=DAY)

Ø7.0mm AVAILABLE
VACUUM PICK UP AREA

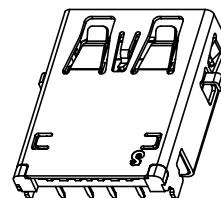


SPECIFICATIONS:

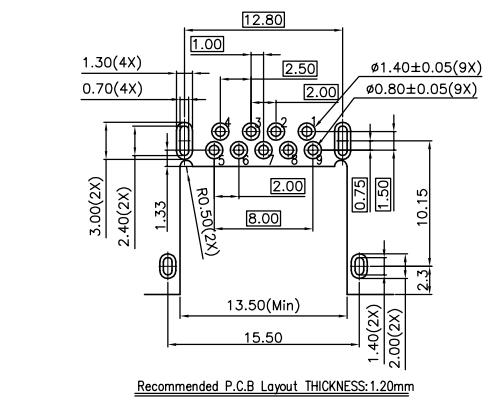
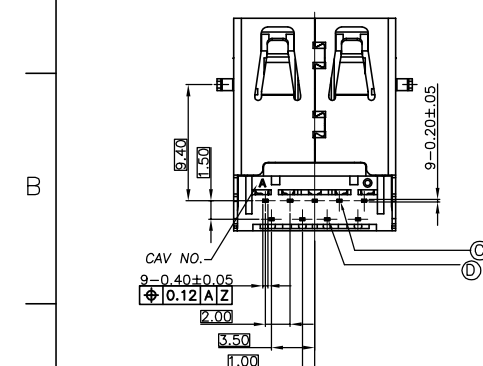
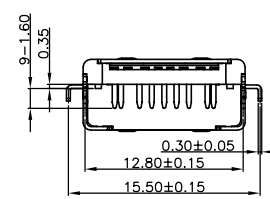
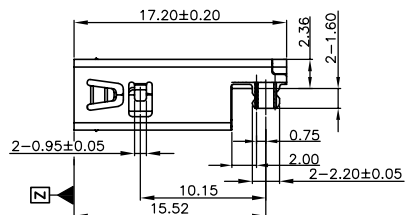
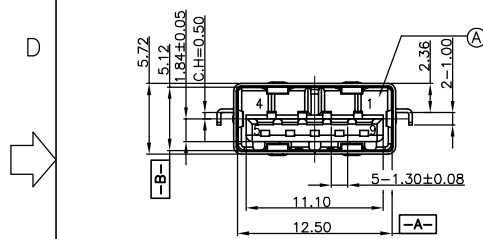
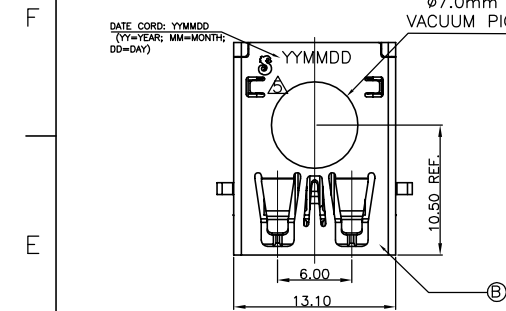
- ELECTRICAL CHARACTERISTICS:
 - CURRENT RATING: 1.8A (PIN1,4) ; OTHER CONTACTS 0.25A
 - CONTACT RESISTANCE: 30mΩ MAX.
 - DIELECTRIC WITHSTANDING VOLTAGE: 100V AC FOR 1 MINUTE
 - INSULATION RESISTANCE: 100MΩ MIN
- MECHANICAL CHARACTERISTICS:
 - INSERTION FORCE : 3.5 Kgf MAX
 - WITHDRAWAL FORCE : 1.0~2.5 Kgf (INITIAL), 0.8~2.5 Kgf (AFTER TEST)
- DURABILITY: 5,000 CYCLES.
- TO CONFORM TO THE SINGATRON HAZARDOUS SUBSTANCE FREE SPEC.
- HALOGEN FREE PRODUCT IDENTIFICATION LABEL ON PACKAGING:
- PACKAGE: SEE "2UB1698 SERIES" PACKAGE.
- FOR REFLOW SOLDERING LEAD-FREE PROCESS.
- OTHER GENERAL SPEC. TO REFER "2UB1698-000111F SPEC".

PART NO.
2UB1698-000111F

- SUFFIX: HALOGEN FREE
- PACKAGE: 1: TAPE & REEL
- HOUSING COLOR: 1: BLACK
- CONTACT PLATING: 1: 30u" GOLD ON MATING AREA, MATTE Sn 120~200u" ON SOLDERING AREA, 80~150u" NICKEL UNDER PLATING OVERALL



3D VIEW



Pin Number	Signal ASSIGNMENT	NO	DESCRIPTION	QTY	MATERIAL	PLATING & COLOR	
PIN 1	VBUS	4	4 PIN TERMINAL	4	C5210-EH	SEE PART NO.	
PIN 2	D-	5	5 PIN TERMINAL	5	C2680-H	SEE PART NO.	
PIN 3	D+	1	SHELL	1	SUS 304	NICKEL	
PIN 4	GND	A	HOUSING	1	PA9T+45% GF UL94-V0	BLACK	
PIN 5	StdA_SSRX-	NO	DESCRIPTION	QTY	MATERIAL	PLATING & COLOR	
PIN 6	StdA_SSRX+	UNLESS OTHERWISE SPECIFIED TOLERANCES					Singatron Enterprise Co., Ltd. 信音企業股份有限公司
PIN 7	GND_DRAIN	DECIMALS:	ANGLES:	TITLE	USB 3.0 REVERSE CONNECTOR		
PIN 8	StdA_SSTX-	X : ±0.5	X : ±2°	DWN	MY-C 2016.05.27	PART NO. 2UB1698-000111F	
PIN 9	StdA_SSTX+	X.X : ±0.3	X.X : ±1°	CHKD	ANGELA2016.05.27	SCALE 1:1 UNIT: mm	
		X.XX : ±0.2		APVD	ANGELA2016.05.27	SIZE: A3 SHEET: 1 OF 1	
CUSTOMER COPY							