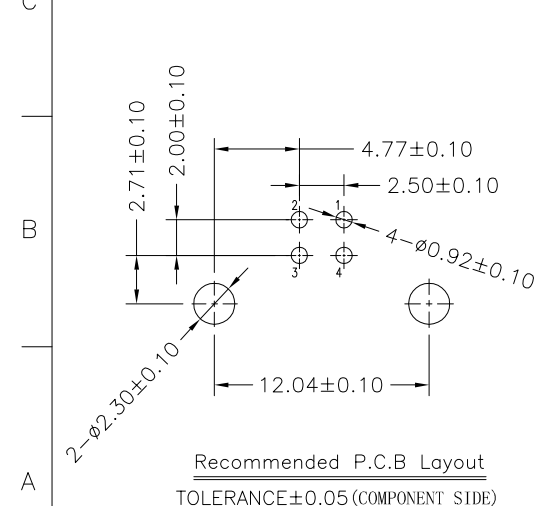
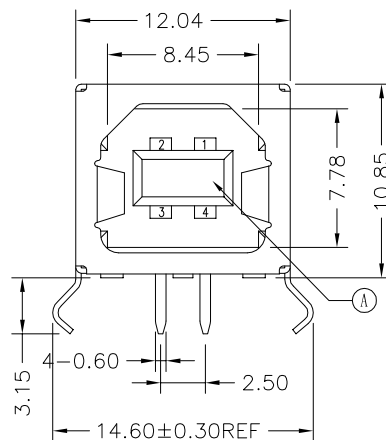
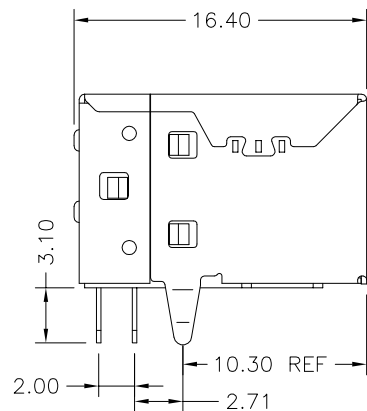
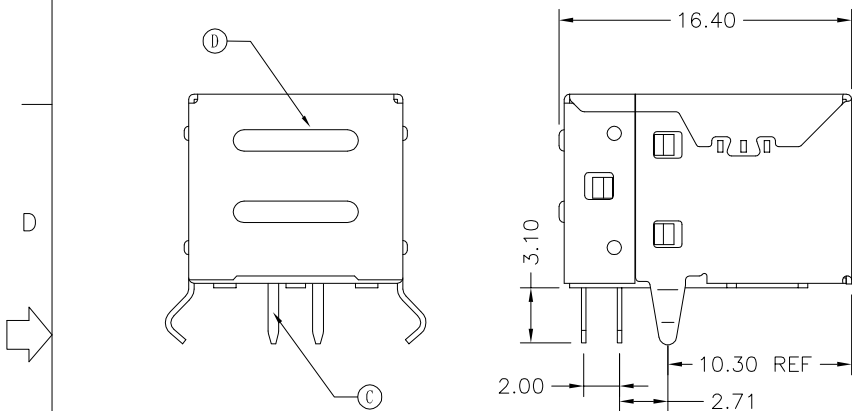
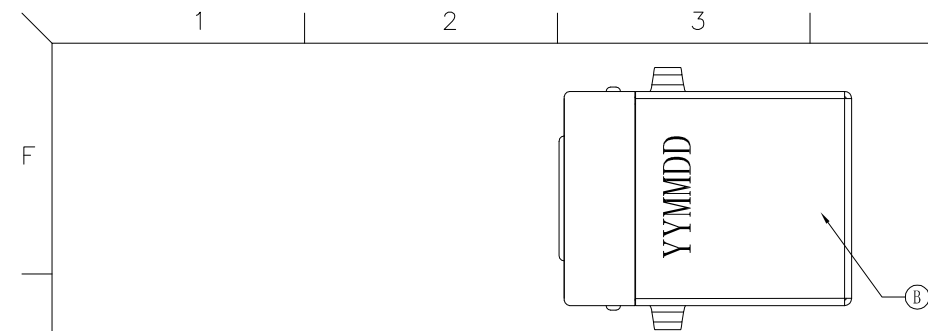


REV.	ECN NO OR DESCRIPTION	REVISED	DATE
A	PDR RELEASE	IVY-C	2016.05.23



SPECIFICATIONS:

- ELECTRICAL CHARACTERISTICS:
  - CURRENT RATING: 1.5 A.
  - CONTACT RESISTANCE: 30mΩ MAX.
  - INSULATION RESISTANCE: 1000MΩ MIN.
  - DIELECTRIC WITHSTANDING VOLTAGE: 500V AC FOR 1 MINUTE.
- MECHANICAL CHARACTERISTICS:
  - INSERTION FORCE: 35N MAX.
  - WITHDRAWAL FORCE: 10N Min.
- LIFE TEST: 1500 CYCLES.
- TEMPERATURE RANGE: -55°C TO +85°C.
- TO CONFORM TO THE SINGATRON HAZARDOUS SUBSTANCE FREE SPEC.
- HALOGEN FREE PRODUCT IDENTIFICATION LABEL ON PACKAGING:
- PACKAGE: SEE "2UB1702 SERIES" PACKAGE.
- FOR WAVE SOLDERING LEAD-FREE PROCESS.
- OTHER GENERAL SPEC. TO REFER "2UB1702-001111F SPEC".

PART NO.  
2UB1702-000111F

- SUFFIX: HALOGEN FREE
- PACKAGE: 1: TRAY
- HOUSING COLOR: 1: BLACK
- CONTACT PLATING: 1: GOLD FLASH ON CONTACT AREA, 100u" Sn PLATING ON SOLDER AREA, 50u" Ni UNDERPLATING OVERALL

D	BACK SHELL	1	SPCC	NICKEL
C	CONTACT	4	PHOSPHOR BRONZE	SEE PART NO.
B	FRONT SHELL	1	BRASS	NICKEL
A	HOUSING	1	PBT UL 94V-0	BLACK
NO	DESCRIPTION	QTY	MATERIAL	PLATING & COLOR
UNLESS OTHERWISE SPECIFIED TOLERANCES			Singatron Enterprise Co., Ltd. 信音企業股份有限公司	
DECIMALS:	ANGLES:	TITLE	USB B TYPE FEMALE	
X :±0.5	X :±2°	DWN	IVY-C 2016.05.23	PART NO. 2UB1702-000111F
X.X :±0.3	X.X :±1°	CHKD	ANGELA2016.05.23	SCALE 1:1 UNIT: mm
X.XX :±0.2		APVD	ANGELA2016.05.23	SIZE: A3 SHEET: 1 OF 1 REV: A
<b>CUSTOMER COPY</b>				