


REV.	ECN NO OR DESCRIPTION	REVISED	DATE
A	PDR RELEASE	EVEN	2019.06.26
B	ECN NO: L202011-001	EVEN	2020.12.16

SPECIFICATIONS:

- ELECTRICAL CHARACTERISTICS:
 - CURRENT RATING: 2A.
 - VOLTAGE RATING: 5V.
 - CONTACT RESISTANCE: 30mΩ MAX.
 - INSULATION RESISTANCE: 1000MΩ MIN.
 - DIELECTRIC WITHSTANDING VOLTAGE: 500V AC FOR 1 MINUTE.
- MECHANICAL CHARACTERISTICS:
 - INSERTION FORCE: 3.5kgf MAX.
 - WITHDRAWAL FORCE: 1.0kgf MIN.
- TO CONFORM TO THE SINGATRON HAZARDOUS SUBSTANCE FREE SPEC.
- HALOGEN FREE PRODUCT IDENTIFICATION LABEL ON PACKAGING: 
- PACKAGE: SEE "2UB1722-001113F" PACKAGE.
- FOR REFLOW SOLDERING LEAD-FREE PROCESS.
- Temperature Range: -40°C to +80°C
- DURABILITY: 5,000 CYCLES,
- OTHER GENERAL SPEC. TO REFER "2UB1722-001113F SPEC".


Contact Number	Signal Name
VBUS	1,5
D-	2,6
D+	3,7
GND	4,8

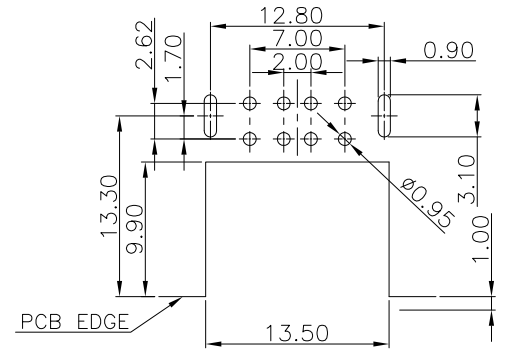
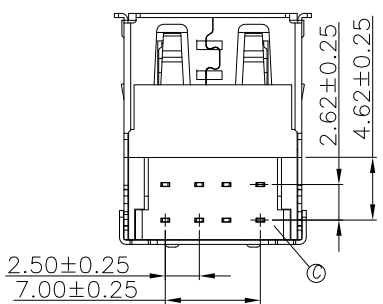
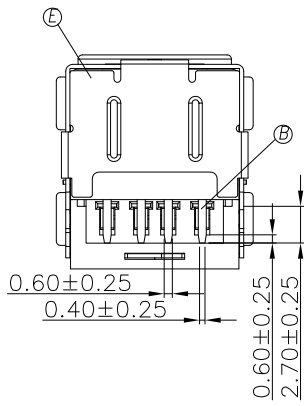
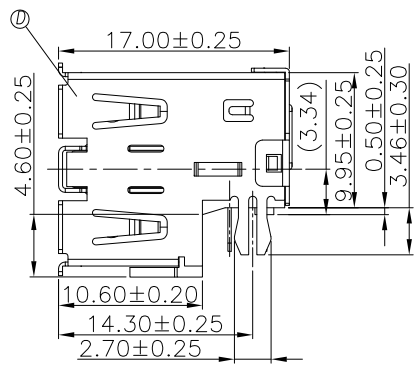
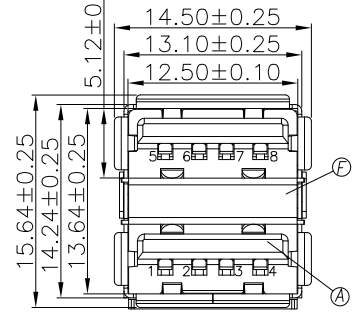
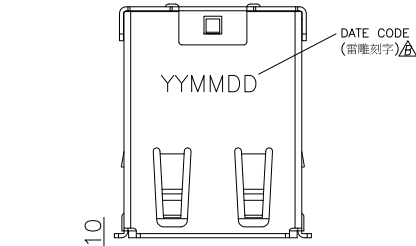
PART NO.

2UB1722-001113F

- SUFFIX: HALOGEN FREE
- PACKAGE: 3: TAPE&REEL
- HOUSING COLOR: 1: BLACK
- CONTACT PLATING: 1: GOLD FLASH ON CONTACT AREA, 80u" MIN. Sn PLATING ON SOLDER AREA, 30u" MIN. Ni UNDERPLATING OVERALL

F	SHELL IN EMI	1	C2680	30u"MIN.NICKEL
E	BACK SHELL	1	SPCC	50u"MIN.NICKEL
D	FRONT SHELL	1	SUS 304	30u"MIN.NICKEL
C	COVER	1	PA9T UL 94V-0	BLACK
B	CONTACT	8	C2680	SEE PART NO.
A	HOUSING	1	PA9T UL 94V-0	BLACK
NO	DESCRIPTION	QTY	MATERIAL	PLATING & COLOR

UNLESS OTHERWISE SPECIFIED TOLERANCES		 信音科技(香港)有限公司	
DECIMALS:	ANGLES:	TITLE	USB 2.0 A TYPE FEMALE, DIP
X :±0.5	X :±2°	DWN	EVEN 2020.12.16 PART NO. 2UB1722-001113F
X.X :±0.3	X.X :±1°	CHKD	SCALE 1:1 UNIT: mm
X.XX :±0.2		APVD	ANGELA2020.12.16 SIZE: A3 SHEET:1 OF 1 REV:B
CUSTOMER COPY			



RECOMMENDED P.C.B HOLE LAYOUT TOP VIEW(TOLERANCE:±0.10)