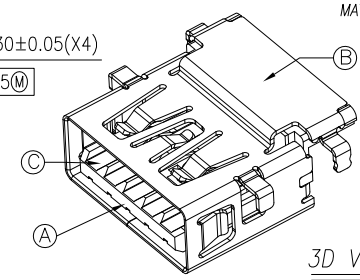
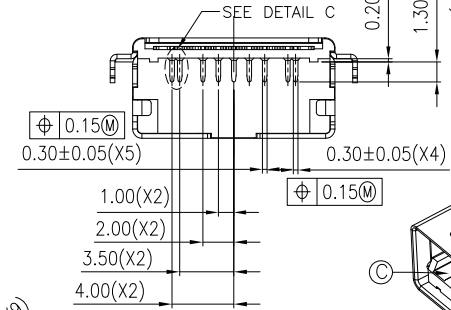
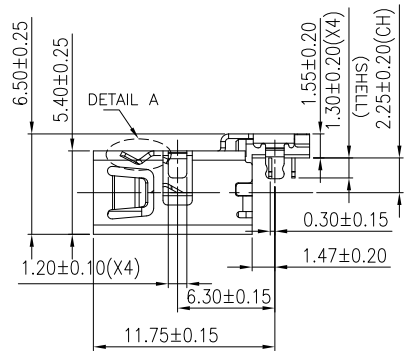
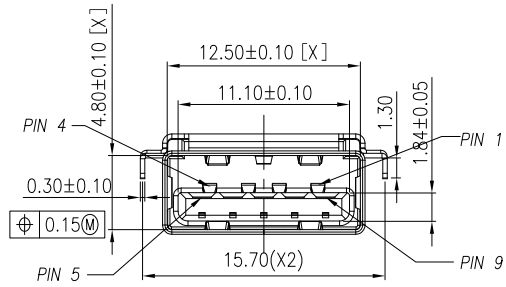
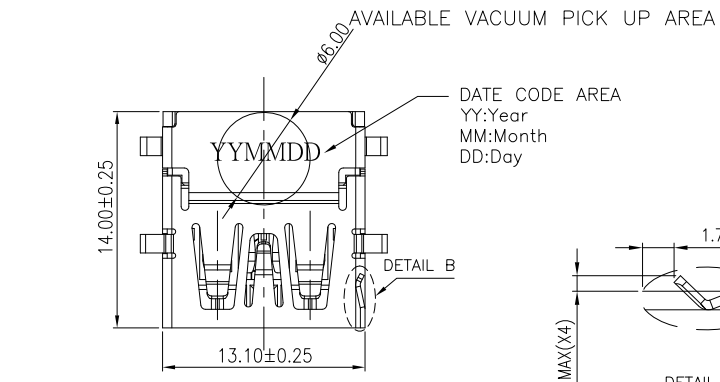
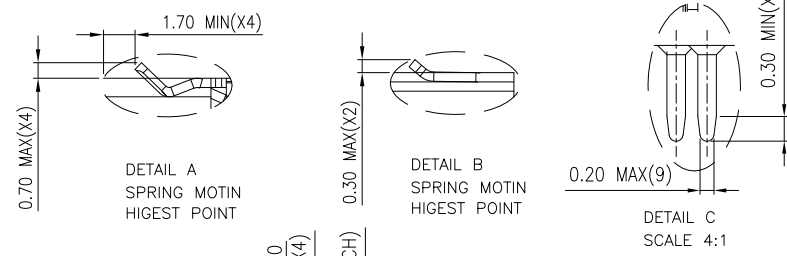
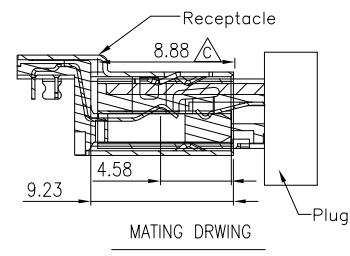


REV.	ECN NO OR DESCRIPTION	REVISED	DATE
A	PDR NO:T180403-3A/3B	Chensong	2018.09.13
B	ECN NO: L190076	IVY-C	2019.08.20
C	ECN NO: L202101-C08	EVEN	2021.04.06

- SPECIFICATIONS:
- ELECTRICAL CHARACTERISTICS:
 - CURRENT RATING: 1.8A (PIN1,4) ; OTHER CONTACTS 0.25A
 - CONTACT RESISTANCE: 30mΩ MAX.
 - DIELECTRIC WITHSTANDING VOLTAGE: 100V AC FOR 1 MINUTE
 - INSULATION RESISTANCE: 100MΩ MIN
 - MECHANICAL CHARACTERISTICS:
 - INSERTION FORCE : 1.0~3.57 Kgf
 - WITHDRAWAL FORCE : 1.0~3.57 Kgf
 - DURABILITY: 5,000 CYCLES.
 - TO CONFORM TO SINGATRON HAZARDOUS SUBSTANCE FREE SPEC.
 - HALOGEN PRODUCT IDENTIFICATION LABEL ON PACKAGING:
 - FOR REFLOW SOLDERING LEAD-FREE PROCESS.
 - DATE : YYMMDD
 - PACKAGING : TAPE & REEL.
 - 3.0 CRITICAL DIMENSION IS FOLLOW THE USB 3.0 SPECIFICATION



- PART NO.
2UB1742-001X11F
- SUFFIX: HALOGEN FREE
 - PACKAGE
1: TAPE & REEL
 - HOUSING & BASE COLOR
1: BLACK
 - CONTACT PLATING
1: GOLD FLASH PLATING ON CONTACT AREA,
MATTE TIN PLATING ON SOLDER AREA,
2: 30U"AU PLATING ON CONTACT AREA,
MATTE TIN PLATING ON SOLDER AREA,

Pin Number	Signal ASSIGNMENT
PIN 1	VBUS
PIN 2	D-
PIN 3	D+
PIN 4	GND
PIN 5	StdA_SSRX-
PIN 6	StdA_SSRX+
PIN 7	GND_DRAIN
PIN 8	StdA_SSTX-
PIN 9	StdA_SSTX+

NO	DESCRIPTION	QTY	MATERIAL	PLATING & COLOR
C	TERMINAL	4	C2680 T=0.20	SEE PART NO.
B	SHELL	1	SUS201 T=0.30	NICKEL 60u"MIN
A	HOUSING	1	LCP 130i UL94-V0	BLACK

UNLESS OTHERWISE SPECIFIED TOLERANCES		Singatron Enterprise Co., Ltd. 信音企業股份有限公司			
DECIMALS:	ANGLES:	TITLE	USB 3.0 CONNECTOR CH=-2.25mm		
X : ±0.5	X : ±1°	DWN	EVEN 2021.04.06	PART NO.2UB1742-001X11F	
X.X : ±0.3	X.X : ±0.5°	CHKD	SCALE 4:1	UNIT: mm	
X.XX : ±0.2		APVD	ANGELA2021.04.06	SIZE: A3	SHEET: 1 OF 1 REV: C
CUSTOMER COPY					

