
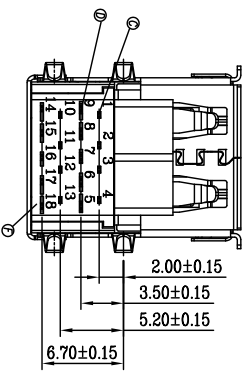
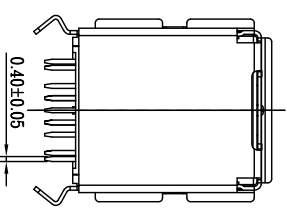
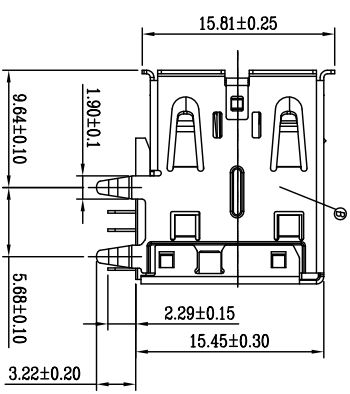
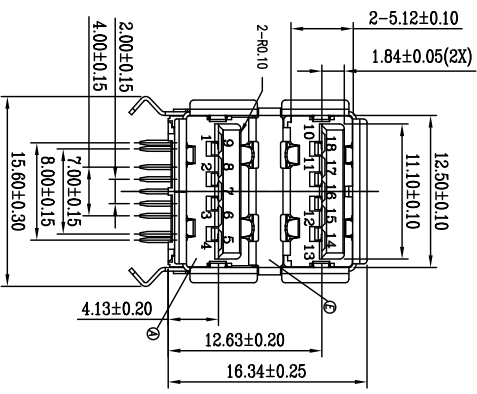
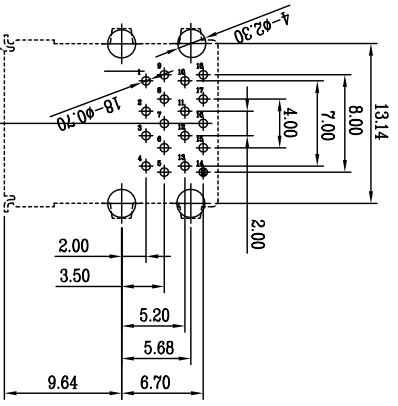
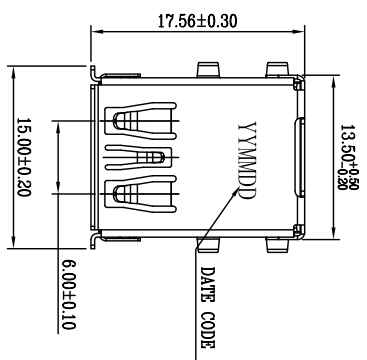


REV. ECN NO OR DESCRIPTION	REVISED DATE
A PDR RELEASE	EVEN 20191218

- SPECIFICATIONS:
- MECHANICAL CHARACTERISTICS:
    - 1-1. INSERTION FORCE: 35N MAX
    - 1-2. WITHDRAWAL FORCE: 10N(INITIAL), 8N(AFTER TEST)
  - LIFE TEST: 5,000 CYCLES
  - TO CONFORM TO THE SINGATRON HAZARDOUS SUBSTANCE FREE SPEC.
  - HALOGEN FREE PRODUCT IDENTIFICATION LABEL ON PACKAGING: 
  - PACKAGE: SEE "2UB1764-000111F" PACKAGE.
  - FOR REFLOW SOLDERING LEAD-FREE PROCESS.
  - OTHER GENERAL SPEC. TO REFER "2UB1764-000111F SPEC".



F	COVER	1	LCP UL 94V-0	BLUE(300C)
---	-------	---	--------------	------------

E	MIDDLE	1	SUS201	
---	--------	---	--------	--

D	3.0 CONTACT	10	C2680	SEE PART NO.
---	-------------	----	-------	--------------


C	2.0 CONTACT	8	C5191	SEE PART NO.
---	-------------	---	-------	--------------

B	SHELL	1	SUS201	40μm min. matte-in plating only at kiss-no plating of the other area
---	-------	---	--------	--

A	HOUSING	1	PA9T UL 94V-0	BLUE(300C)
---	---------	---	---------------	------------

UNLESS OTHERWISE SPECIFIED TOLERANCES				
NO	DESCRIPTION	QTY	MATERIAL	PLATING & COLOR

DECIMALS: ANGLES:				
X	:±0.5	X	:±2°	
X.X	:±0.3	X.X	:±1°	
X.XX	:±0.2			

 Singatron Enterprise Co., Ltd.  
 信音企業股份有限公司  
 TITLE: DOUBLE LAYER USB3.0 DIP TYPE  
 DWN: 20191218  
 CHKD: SCALE N/A UNIT: mm  
 APVD: 20191218 SIZE: A3 SHEET: 1 OF 1 REV: A  
**CUSTOMER COPY**