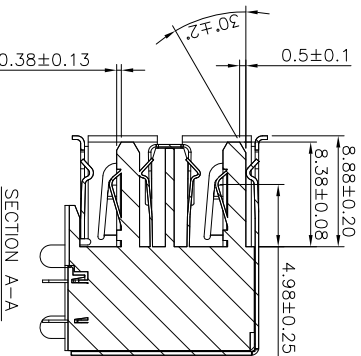
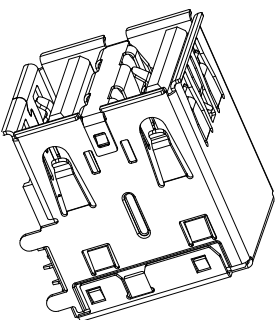
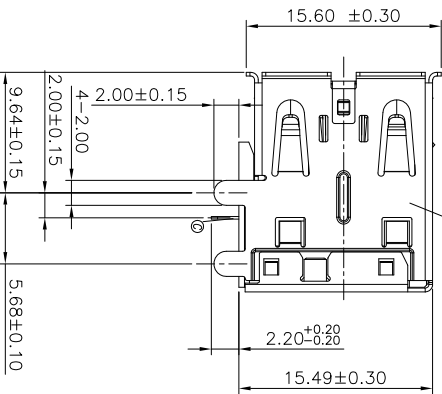
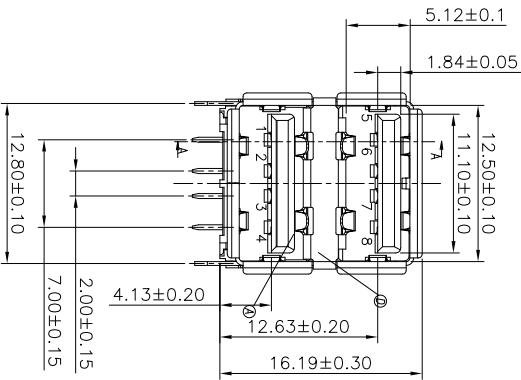



CONNECTOR EDGE PCB LAYOUT REFERENCE



SPECIFICATIONS:

- 1. ELECTRICAL CHARACTERISTICS:**
 1-1. CURRENT RATING: VBUS&GND pins: 1&s; MAX PER PIN; OTHER PINS: 0.25&A/;PIN;
 1-2. CONTACT RESISTANCE: 30 mΩ(MAX) INITIAL FOR VBUS AND GND CONTACTS ; 50 mΩ(MAX) INITIAL FOR OTHER CONTACTS
 1-3. INSULATION RESISTANCE: 100MΩ MIN.
 1-4. DIELECTRIC WITHSTANDING VOLTAGE: 100V AC FOR 1 MINUTE.
2. MECHANICAL CHARACTERISTICS:
 2-1. INSERTION FORCE: 35N MAX.
 2-2. WITHDRAWAL FORCE: 10N~35N
 3. LIFE TEST: 5,000 CYCLES.
 4. TO CONFORM TO THE SINGATRON HAZARDOUS SUBSTANCE FREE SPEC.
 5. HALOGEN FREE PRODUCT IDENTIFICATION LABEL ON PACKAGING: 
 6. PACKAGE: SEE "2UB1765-011112F" PACKAGE.
 7. FOR REFLOW SOLDERING LEAD-FREE PROCESS.
 8 SALT SPRAY TEST 48H PASS
 9. OTHER GENERAL SPEC. TO REFER "2UB1765-011112F" SPEC."


PART NO.
2UB1765-011112F

- SUFFIX: HALOGEN FREE
- PACKAGE
- 2: TAPE & REEL
- HOUSING
- 1: BLACK
- CONTACT PLATING
- 1: 15u" GOLD PLATING ON CONTACT AREA,
 MATTE Sn 100u" MIN. ON SOLDERING AREA,
 50u" MIN. NICKEL UNDER PLATING OVERALL

Pin NUMBER	SIGNAL NAME
1	VBUS
2	D-
3	D+
4	GND
Shell	Shield

NO	DESCRIPTION	QTY	MATERIAL	PLATING & COLOR
E	COVER	1	LCP UL 94V-0	BLACK
D	MIDDLE	1	SUS201	
C	TERMINAL	8	C5191	SEE PART NO.
B	SHELL	1	SUS201	NICKEL PLATED 80u" MIN.
A	HOUSING	1	PA9T UL 94V-0	BLACK

DECIMALS:	ANGLES:	TITLE
X : ±0.5	X : ±2°	DOUBLE LAYER USB2.0 DIP TYPE
X.X : ±0.3	X.X : ±1'	PART NO. 2UB1765-011112F
X.XX : ±0.2		SCALE N/A UNIT: mm
		SIZE: A3 SHEET: 1 OF 1 REV:A

 信音科技(香港)有限公司

CUSTOMER COPY