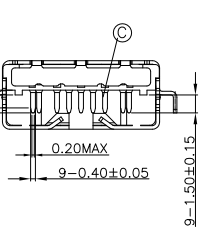
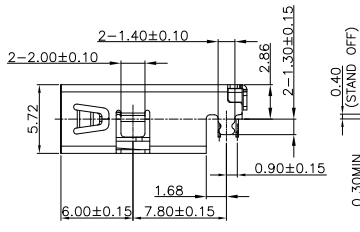
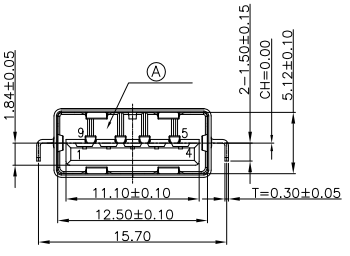
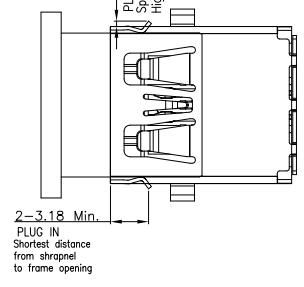
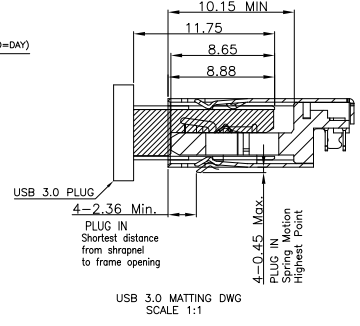
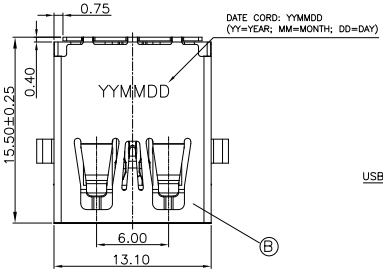


REV.	ECN NO OR DESCRIPTION	REVISED	DATE
A	PDR RELEASE	EVEN	2021.02.04



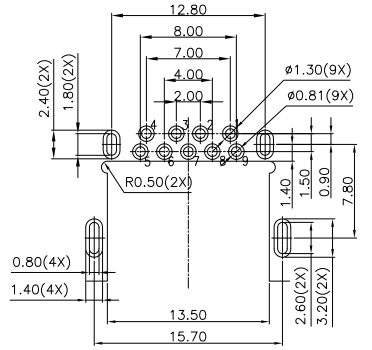
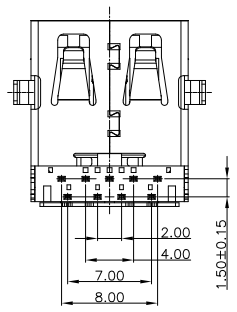
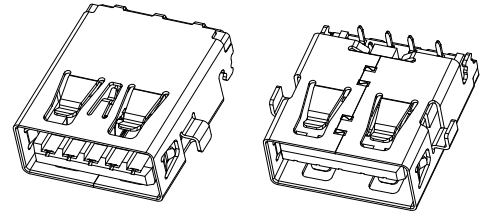
SPECIFICATIONS:

- ELECTRICAL CHARACTERISTICS:**
 - CURRENT RATING: 1.8A (PIN1,4) ; OTHER CONTACTS 0.25A
 - CONTACT RESISTANCE: 30mΩ MAX INITIAL FOR PIN1~4
50mΩ MAX INITIAL FOR OTHER PIN.
 - DIELECTRIC WITHSTANDING VOLTAGE: 100V AC FOR 1 MINUTE
 - INSULATION RESISTANCE: 100MΩ MIN
- MECHANICAL CHARACTERISTICS:**
 - INSERTION FORCE : 3.5 Kgf MAX
 - WITHDRAWAL FORCE : 1.0~3.5Kgf(INITIAL),0.8~3.5Kgf (AFTER TEST)
- DURABILITY: 5,000 CYCLES.**
- TO CONFORM TO THE SINGATRON HAZARDOUS SUBSTANCE FREE SPEC.**
- HALOGEN FREE PRODUCT IDENTIFICATION LABEL ON PACKAGING:**
- PACKAGE: SEE "2UB1770-001X21F" PACKAGE.**
- FOR REFLOW SOLDERING LEAD-FREE PROCESS.**
- OTHER GENERAL SPEC. TO REFER "2UB1770-001X21F SPEC".**



PART NO.
2UB1770-001X21F

- SUFFIX: HALOGEN FREE
- PACKAGE
- 1: TAPE & REEL
- HOUSING COLOR
- 2: BLACK
- CONTACT PLATING
- 1: GOLD FLASH ON MATING AREA, MATTE Sn 80u" MIN. ON SOLDERING AREA, 50u" MIN. NICKEL UNDER PLATING OVERALL
- 2: 30u" GOLD ON MATING AREA, MATTE Sn 80u" MIN. ON SOLDERING AREA, 50u" MIN. NICKEL UNDER PLATING OVERALL



RECOMMENDED PCB LAYOUT(TOP VIEW)
(DEFAULT DIMENSION TOL=±0.05mm)

Pin Number	Signal ASSIGNMENT	C	TERMINAL	9	C2680-H	SEE PART NO.	
PIN 1	VBUS	B	SHELL	1	SUS 304	NICKEL 50u"MIN.	
PIN 2	D-	A	HOUSING	1	PA-9T UL 94V-0	BLACK	
PIN 3	D+	NO	DESCRIPTION	QTY	MATERIAL	PLATING & COLOR	
PIN 4	GND	UNLESS OTHERWISE SPECIFIED TOLERANCES					
PIN 5	StdA_SSRX-	DECIMALS: ANGLES:					
PIN 6	StdA_SSRX+	X	:±0.5	X	:±2°	TITLE	USB 3.0 REVERSE CONNECTOR
PIN 7	GND_DRAIN	X.X	:±0.3	X.X	:±1°	DWN	EVEN 2021.02.04 PART NO. 2UB1770-001X21F
PIN 8	StdA_SSTX-	X.XX	:±0.2			CHKD	SCALE 1:1 UNIT: mm
PIN 9	StdA_SSTX+					APVD	ANGELA2021.02.04 SIZE: A3 SHEET:1 OF 2 REV:A
CUSTOMER COPY							

REV.	ECN NO OR DESCRIPTION	REVISED	DATE
A	PDR RELEASE	EVEN	2021.02.04

1 2 3 4 5 6 7 8

F

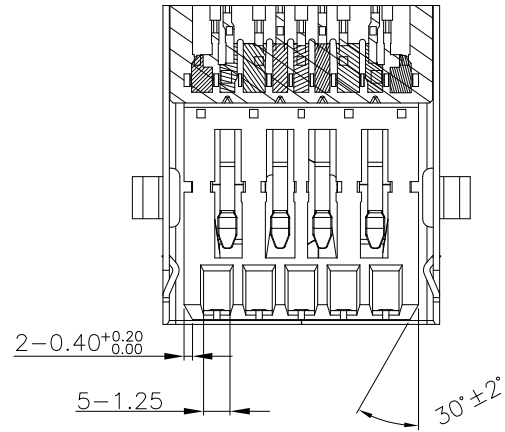
E

D

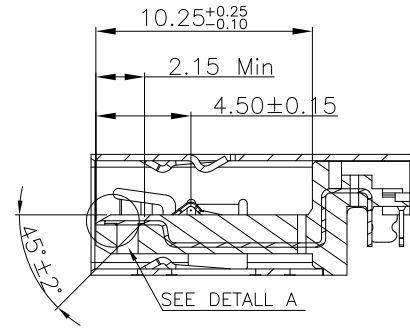
C

B

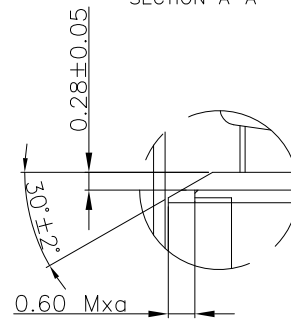
A



SECTION B-B



SECTION A-A



SEE DETALL A
SCALE 3:1

C	TERMINAL	9	C2680-H	SEE PART NO.
B	SHELL	1	SUS 304	NICKEL 50u"MIN.
A	HOUSING	1	PA-9T UL 94V-0	BLACK
NO	DESCRIPTION	QTY	MATERIAL	PLATING & COLOR

UNLESS OTHERWISE SPECIFIED TOLERANCES		信音科技(香港)有限公司		
DECIMALS:	ANGLES:	TITLE	USB 3.0 REVERSE CONNECTOR	
X :±0.5	X :±2°	DWN	EVEN 2021.02.04	PART NO. 2UB1770-001X21F
X.X :±0.3	X.X :±1°	CHKD	SCALE 1:1	UNIT: mm
X.XX :±0.2		APVD	ANGELA2021.02.04	SIZE: A3 SHEET:2 OF 2
REV:A				
CUSTOMER COPY				

1 2 3 4 5 6 7 8