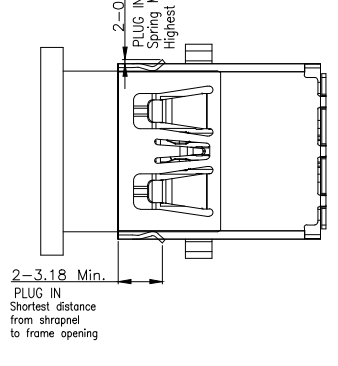
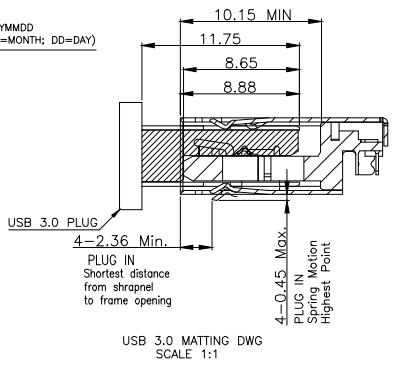
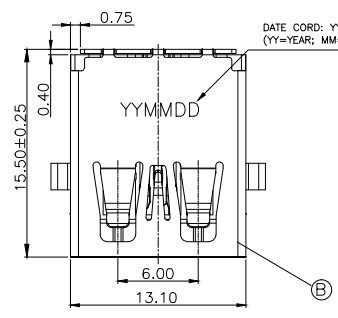
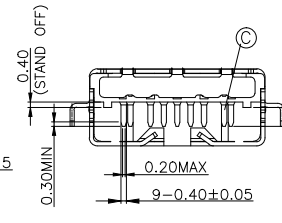
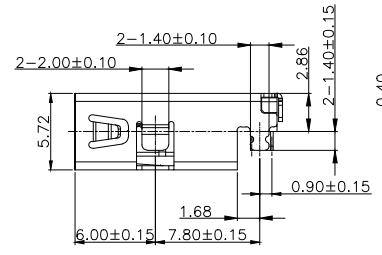
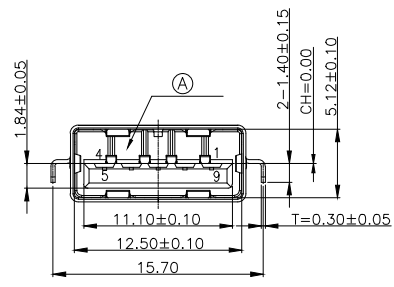


REV.	ECN NO OR DESCRIPTION	REVISED	DATE
A	PDR RELEASE	EVEN	2022.12.16

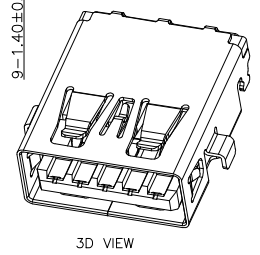


- SPECIFICATIONS:**
- ELECTRICAL CHARACTERISTICS:**
 - CURRENT RATING: 1.8A (PIN1,4) ; OTHER CONTACTS 0.25A
 - CONTACT RESISTANCE: 30mΩ MAX INITIAL FOR PIN1~4
50mΩ MAX INITIAL FOR OTHER PIN.
 - DIELECTRIC WITHSTANDING VOLTAGE: 100V AC FOR 1 MINUTE
 - INSULATION RESISTANCE: 100MΩ MIN
 - MECHANICAL CHARACTERISTICS:**
 - INSERTION FORCE : 2.5 Kgf MAX
 - WITHDRAWAL FORCE : 1.0~2.5Kgf(INITIAL),0.8~2.5Kgf (AFTER TEST)
 - DURABILITY: 5,000 CYCLES.
 - TO CONFORM TO THE SINGATRON HAZARDOUS SUBSTANCE FREE SPEC.
 - HALOGEN FREE PRODUCT IDENTIFICATION LABEL ON PACKAGING:
 - PACKAGE: SEE "2UB1770-010121F" PACKAGE.
 - FOR REFLOW SOLDERING LEAD-FREE PROCESS.
 - OTHER GENERAL SPEC. TO REFER "2UB1770-010121F SPEC".

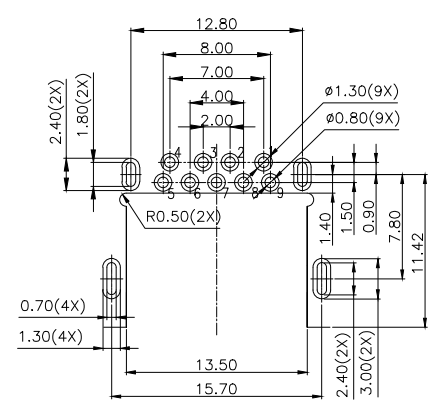
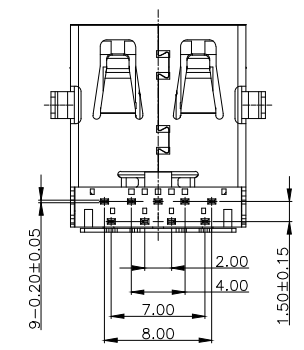


PART NO.
2UB1770-010121F

- SUFFIX: HALOGEN FREE
- PACKAGE: 1: TAPE & REEL
- HOUSING COLOR: 2: BLACK
- CONTACT PLATING: 1: GOLD FLASH(1~3u") ON MATING AREA, MATTE Sn 80u" MIN. ON SOLDERING AREA, 50u" MIN. NICKEL UNDER PLATING OVERALL



3D VIEW



RECOMMENDED PCB LAYOUT(TOP VIEW)
(DEFAULT DIMENSION TOL=±0.05mm)

Pin Number	Signal ASSIGNMENT	C	TERMINAL	9	C2680-H	SEE PART NO.	
PIN 1	VBUS	B	SHELL	1	SUS 201	NICKEL 50u"MIN.	
PIN 2	D-	A	HOUSING	1	PA-9T UL 94V-0	BLACK	
PIN 3	D+						
PIN 4	GND	NO	DESCRIPTION	QTY	MATERIAL	PLATING & COLOR	
PIN 5	Std_A_SSRX-	UNLESS OTHERWISE SPECIFIED TOLERANCES					信音科技(香港)有限公司
PIN 6	Std_A_SSRX+	DECIMALS: ANGLES:					
PIN 7	GND_DRAIN	X	:±0.5	X	:±2°	TITLE USB 3.0 REVERSE CONNECTOR	
PIN 8	Std_A_SSTX-	X.X	:±0.3	X.X	:±1°	DWN Even 2022.12.16 PART NO. 2UB1770-010121F	
PIN 9	Std_A_SSTX+	X.XX	:±0.2			CHKD SCALE 1:1 UNIT: mm	
						APVD TERESA 2022.12.16 SIZE: A3 SHEET: 1 OF 1 REV:A	
CUSTOMER COPY							