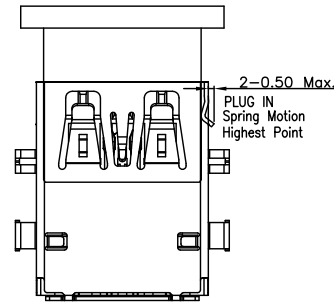
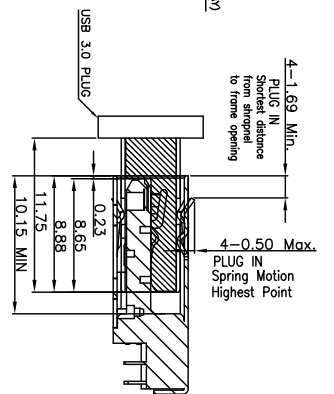
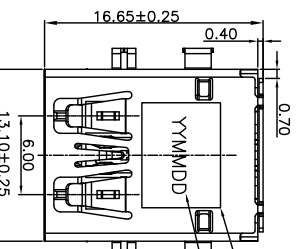


REV: ECN NO OR DESCRIPTION	REVISED	DATE
A PDR RELEASE	EVEN	2020.03.18

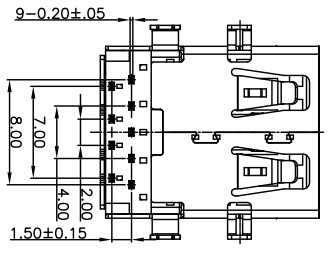
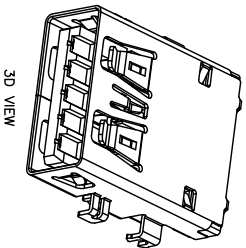
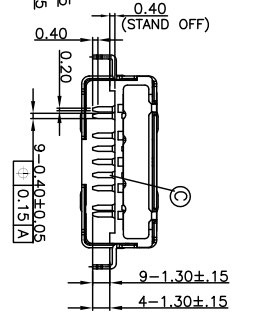
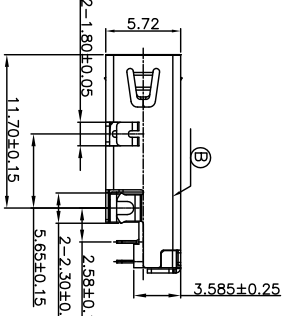
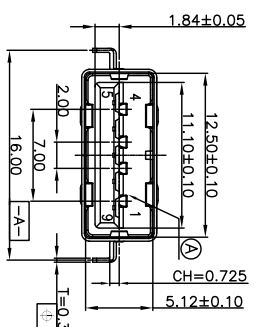


USB 3.0 MATING DWG  
SCALE 1:1

- SPECIFICATIONS:
- ELECTRICAL CHARACTERISTICS:
    - CURRENT RATING: 1.8A (PIN1,4) ; OTHER CONTACTS 0.25A
    - CONTACT RESISTANCE: 30mΩ MAX INITIAL FOR PIN1~4  
50mΩ MAX INITIAL FOR OTHER PIN.
  - MECHANICAL CHARACTERISTICS:
    - INSULATION RESISTANCE: 100MΩ MIN
    - DIELECTRIC WITHSTANDING VOLTAGE: 100V AC FOR 1 MINUTE
    - MECHANICAL CHARACTERISTICS:
      - INSERTION FORCE : 3.5 kgf MAX
      - WITHDRAWAL FORCE : 1.0~3.5kgf(INITIAL),0.8~3.5kgf (AFTER TEST)
    - DURABILITY: 5,000 CYCLES.
    - TO CONFORM TO THE SINGATRON HAZARDOUS SUBSTANCE FREE SPEC.
    - HALOGEN FREE PRODUCT IDENTIFICATION LABEL ON PACKAGING.
    - PACKAGE: SEE "2UB1774-000111F" PACKAGE.
    - FOR REFLOW SOLDERING LEAD-FREE PROCESS.
    - OTHER GENERAL SPEC. TO REFER "2UB1774-000111F SPEC."

PART NO.  
2UB1774-000111F

- SUFFIX: HALOGEN FREE
  - PACKAGE
  - TAPE & REEL
  - HOUSING COLOR
  - 1: BLACK
  - CONTACT PLATING
- 1: GOLD FLASH ON MATING AREA,  
MATE Sn 80μ" MIN. ON SOLDERING AREA,  
50μ" MIN. NICKEL UNDER PLATING OVERALL



RECOMMENDED PCB LAYOUTTOP VIEW  
(DEFAULT DIMENSION: 10μ±0.05mm)

Pin Number	Signal ASSIGNMENT	C	TERMINAL	QTY	MATERIAL	PLATING & COLOR
PIN 1	VBUS	B	SHELL	1	SUS 201	50μ" MIN. NICKEL
PIN 2	D-	A	HOUSING	1	PA-9T UL 94V-0	BLACK
PIN 3	D+	NO	DESCRIPTION			
PIN 4	GND	UNLESS OTHERWISE SPECIFIED TOLERANCES				
PIN 5	SIG4_SSRX-	DECIMALS:	ANGLES:			
PIN 6	SIG4_SSRX+	X : ±0.5	X : ±2°			
PIN 7	GND_DRAIN	X.X : ±0.3	X.X : ±1°			
PIN 8	SIG4_SSTX-	X.XX : ±0.2				
PIN 9	SIG4_SSTX+					

TITLE	USB 3.0 REVERSE CONNECTOR
DWN	EN 2020.03.18
CHKD	SCALE 1:1 UNIT: mm
APVD	AMZL2020.03.18 SIZE: A3 SHEET: 1 OF 1 REV: A

Singatron Enterprise Co., Ltd.  
信亨企業股份有限公司  
CUSTOMER COPY