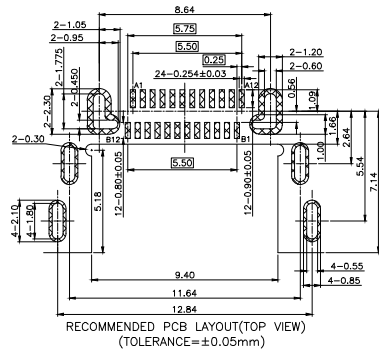
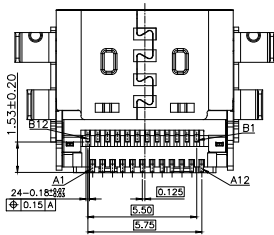
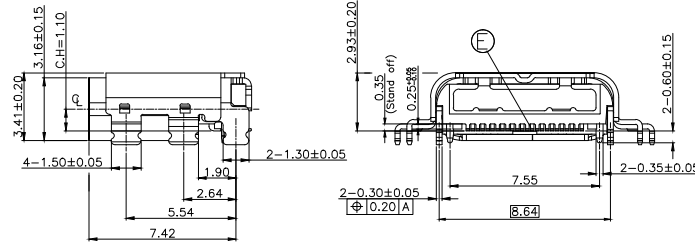
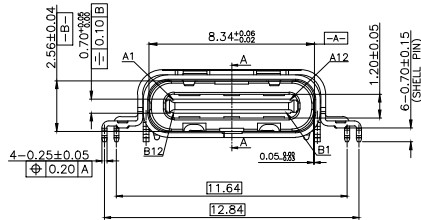


SPECIFICATIONS:

- ELECTRICAL CHARACTERISTICS:**
 - CURRENT RATING: 5.0A
 - VOLTAGE RATING: 20.0 V
 - LLCR: VBUS & GND PINS: 40mΩ/PIN MAX
OTHER PINS : 40mΩ/PIN MAX
LLCR MAX. CHANGE OF ALL PINS: 10mΩ
 - INSULATION RESISTANCE: 100MΩ MIN
- MECHANICAL CHARACTERISTICS:**
 - INSERTION FORCE: 0.5~2.0kg.
 - WITHDRAWAL FORCE: 1.4~2.0kg. (INITIAL) 0.8~2.0kg. (AFTER LIFE TEST)
- DURABILITY:** 10,000 CYCLES.
- TO CONFORM TO THE SINGATRON HAZARDOUS SUBSTANCE FREE SPEC.
- HALOGEN FREE PRODUCT IDENTIFICATION LABEL ON PACKAGING:
- PACKAGE: SEE "2UB1781-C00211F" PACKAGE.
- FOR REFLOW SOLDERING LEAD-FREE PROCESS.
- OTHER GENERAL SPEC. TO REFER "2UB1781-C00211F SPEC".

PART NO.
2UB1781-C00211F

- SUFFIX: HALOGEN FREE
- PACKAGE: 1: TAPE & REEL
- HOUSING COLOR: 1: BLACK
- CONTACT PLATING: 2: GOLD FLASH ON MATING AREA, GOLD FLASH ON SOLDERING AREA, 50u" MIN. NICKEL UNDER PLATING OVERALL

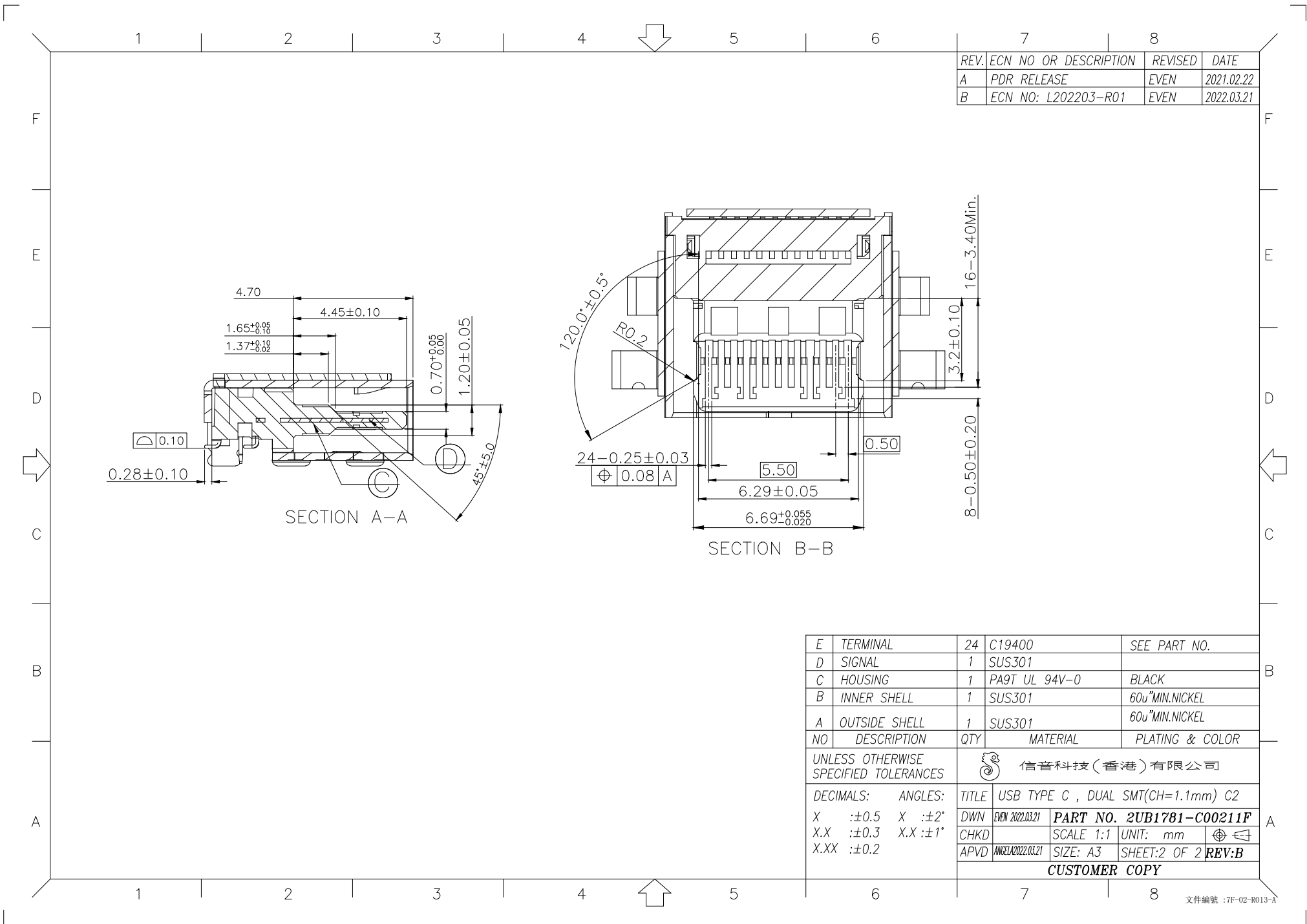


USB TYPE-C PIN ASSIGNMENTS:

PIN	SIGNAL NAME	PIN	SIGNAL NAME
A12	GND	B1	GND
A11	SSRXp2	B2	SSTXp2
A10	SSRXn2	B3	SSTXn2
A9	VBUS	B4	VBUS
A8	SBU1	B5	CC2
A7	Dn1	B6	Dp2
A6	Dp1	B7	Dn2
A5	CC1	B8	SBU2
A4	VBUS	B9	VBUS
A3	SSTXn1	B10	SSRXn1
A2	SSTXp1	B11	SSRXp1
A1	GND	B12	GND

NO	DESCRIPTION	QTY	MATERIAL	PLATING & COLOR
E	TERMINAL	24	C19400	SEE PART NO.
D	SIGNAL	1	SUS301	
C	HOUSING	1	PA9T UL 94V-0	BLACK
B	INNER SHELL	1	SUS301	60u"MIN.NICKEL
A	OUTSIDE SHELL	1	SUS301	60u"MIN.NICKEL

UNLESS OTHERWISE SPECIFIED TOLERANCES			
DECIMALS:	ANGLES:	TITLE USB TYPE C , DUAL SMT(CH=1.1mm) C2	
X : ±0.5	X : ±2°	DWN	EVEN 2022.03.21
X.X : ±0.3	X.X : ±1°	CHKD	SCALE 1:1 UNIT: mm
X.XX : ±0.2		APVD	SIZE: A3 SHEET: 1 OF 2
		PART NO. 2UB1781-C00211F REV: B	
CUSTOMER COPY			



REV.	ECN NO OR DESCRIPTION	REVISED	DATE
A	PDR RELEASE	EVEN	2021.02.22
B	ECN NO: L202203-R01	EVEN	2022.03.21

E	TERMINAL	24	C19400	SEE PART NO.
D	SIGNAL	1	SUS301	
C	HOUSING	1	PA9T UL 94V-0	BLACK
B	INNER SHELL	1	SUS301	60μ"MIN.NICKEL
A	OUTSIDE SHELL	1	SUS301	60μ"MIN.NICKEL
NO	DESCRIPTION	QTY	MATERIAL	PLATING & COLOR

UNLESS OTHERWISE SPECIFIED TOLERANCES		信音科技(香港)有限公司		
DECIMALS:	ANGLES:	TITLE USB TYPE C , DUAL SMT(CH=1.1mm) C2		
X :±0.5	X :±2°	DWN	EVEN 2022.03.21	PART NO. 2UB1781-C00211F
X.X :±0.3	X.X :±1°	CHKD		SCALE 1:1 UNIT: mm
X.XX :±0.2		APVD	ANGEL2022.03.21	SIZE: A3 SHEET:2 OF 2 REV:B
CUSTOMER COPY				