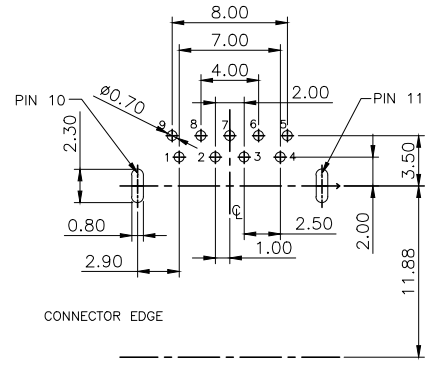
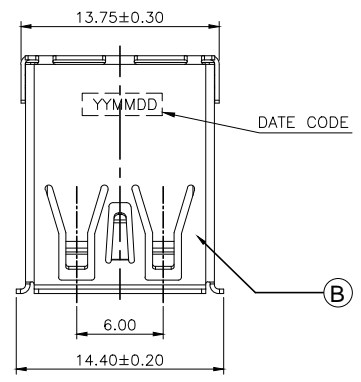
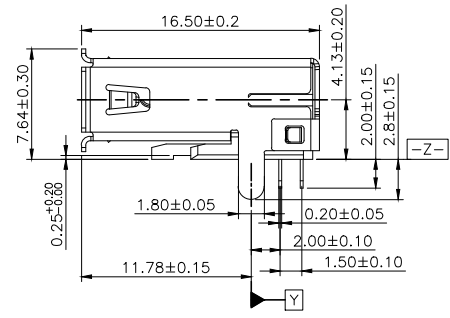
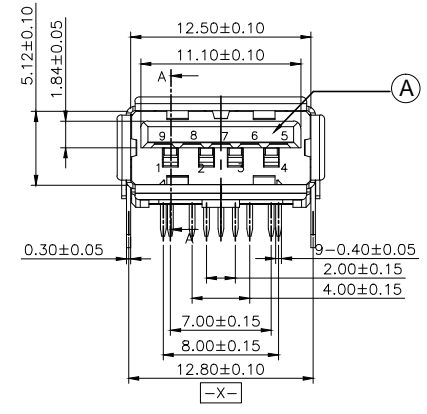


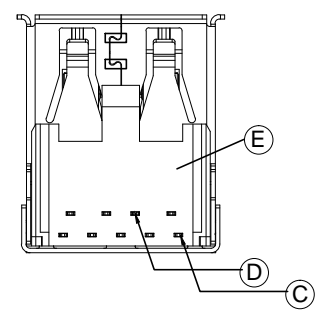
REV.	ECN NO OR DESCRIPTION	REVISED	DATE
A	PDR RELEASE	EVEN	2022.03.21



- SPECIFICATIONS:**
- 1. ELECTRICAL CHARACTERISTICS:**
- 1-1. CURRENT RATING: 1.8A (PIN1,4) ; OTHER CONTACTS 0.25A
  - 1-2. CONTACT RESISTANCE: 30mΩ MAX.
  - 1-3. DIELECTRIC WITHSTANDING VOLTAGE: 100V AC FOR 1 MINUTE
  - 1-4. INSULATION RESISTANCE: 100MΩ MIN
- 2. MECHANICAL CHARACTERISTICS:**
- 2-1. INSERTION FORCE : 3.5 Kgf MAX
  - 2-2. WITHDRAWAL FORCE : 1.0 Kgf(INITIAL),0.8Kgf(AFTER TEST)
- 3. DURABILITY: 5,000 CYCLES.**
- 4. OTHER GENERAL SPEC. TO REFER "2UB1824-000111F SPEC".**
- 5. TO CONFORM TO THE SINGATRON HAZARDOUS SUBSTANCE FREE SPEC.**
- 6. HALOGEN FREE PRODUCT IDENTIFICATION LABEL ON PACKAGING:**
- 7. PACKAGE: SEE "2UB1824-000111F" PACKAGE.**
- 8. FOR REFLOW SOLDERING LEAD-FREE PROCESS.**



- PART NO.**  
**2UB1824-000111F**
- SUFFIX: HALOGEN FREE
  - PACKAGE: 1: TAPE & REEL
  - HOUSING COLOR: 1: BLUE(300C)
  - CONTACT PLATING: 1: 30u" Au PLATING ON MATING AREA,, Matte-Tin 100u"Min. ON SOLDERING AREA, 50u"Min NICKEL UNDER PLATING OVERALL



Pin Number	Signal ASSIGNMENT
PIN 1	VBUS
PIN 2	D-
PIN 3	D+
PIN 4	GND
PIN 5	Std_A_SSRX-
PIN 6	Std_A_SSRX+
PIN 7	GND_DRAIN
PIN 8	Std_A_SSTX-
PIN 9	Std_A_SSTX+

NO	DESCRIPTION	QTY	MATERIAL	PLATING & COLOR
E	HOOD	1	PA9T UL94-V0	BLUE(300C)
D	4 PIN TERMINAL	4	C5191	SEE PART NO.
C	5 PIN TERMINAL	5	C2680	SEE PART NO.
B	SHELL	1	SUS 201	60u" MIN. NICKEL
A	HOUSING		PA9T UL94-V0	BLUE(300C)
UNLESS OTHERWISE SPECIFIED TOLERANCES				
DECIMALS: ANGLES: TITLE USB 3.0 CONNECTOR				
X :±0.5 X :±2'				
X.X :±0.3 X.X :±1"				
X.XX :±0.2				
DWN EVEN 2022.03.21 PART NO. 2UB1824-000111F				
CHKD SCALE 1:1 UNIT: mm				
APVD ANGEL 2022.03.21 SIZE: A3 SHEET: 1 OF 1 REV: A				
<b>CUSTOMER COPY</b>				